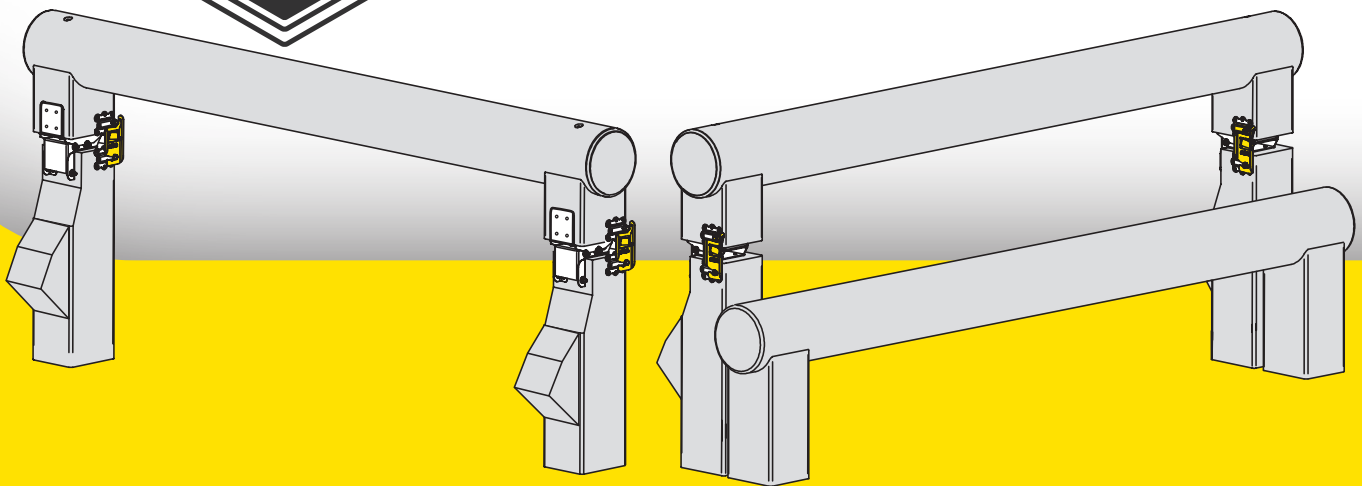


# Corner & Breakable Post Kit - 80326

# mimSAFE

mimclip.mimsafe.com



ASSEMBLY AND OPERATION INSTRUCTIONS

## CORNER & BREAKABLE POST KIT 45°-90°

MIMCLIP SYSTEM



APPROVED

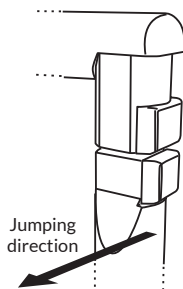
# INFORMATION ABOUT THE CORNER KIT

The Corner Kit has been designed and developed specifically to greatly reduce the risk of rotational falls. The most important element of this kit is that it will not break the fence or risk injury

to the horse if hit vertically. The rail is only released when impacted horizontally by the horse. The risk of a resulting rotational fall is thus reduced.

## FENCE DIMENSIONS

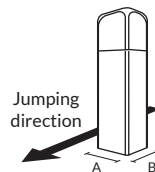
### ROUND POST



#### MAX DIAMETER

9	inch
230	mm

### SQUARE POST



#### A: MAX SIZE

8	inch
200	mm

#### B: MAX SIZE

9	inch
225	mm

### RAIL



#### MAX WEIGHT

240	lb
110	kg
MAY ONLY BE EXCEEDED BY 25%	

#### MAX LENGTH

13	ft
4000	mm



It is essential to follow the recommended instructions on the fence for the correct function. All WEIGHTS may be exceeded by no more than 25% of the relevant maximum weight as specified above. There are NO MINIMUM WEIGHTS.

For your own safety and that of others please note the following step by step advice for correct preparation and installation. It is important that you follow your own health and safety requirements when constructing this kit.

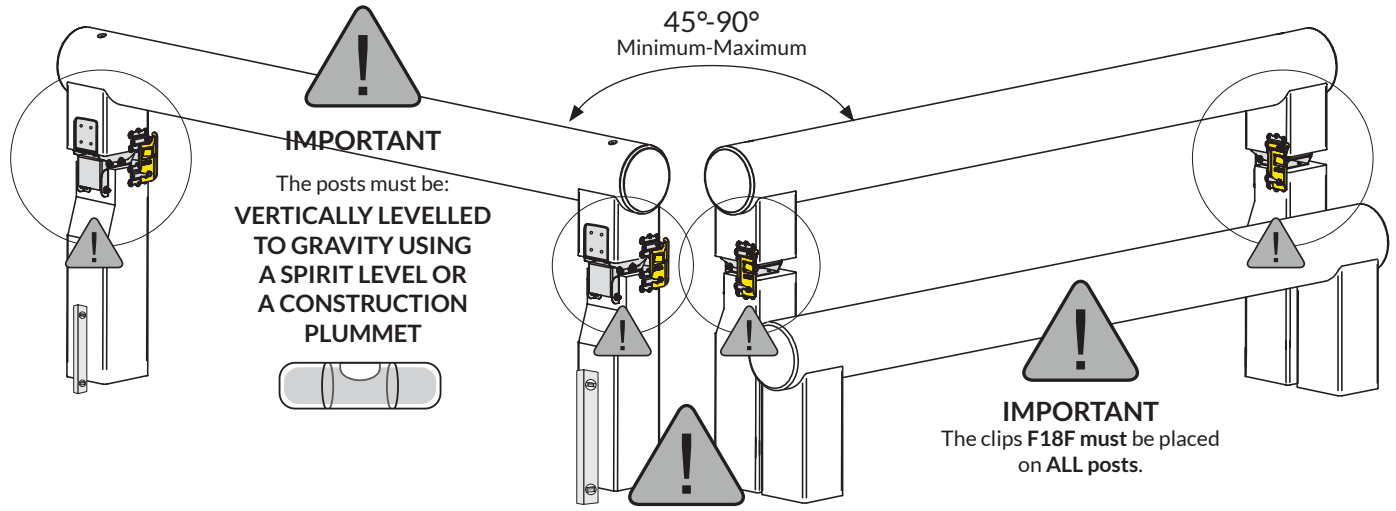
**Ensure that you have all parts of the Corner Kit.**

**Be aware of the risk of injury when handling heavy rails, posts and the tools for mounting.**

**WARNING!**



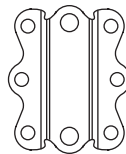
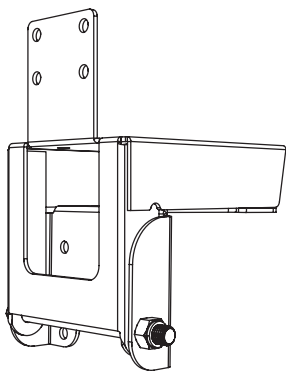
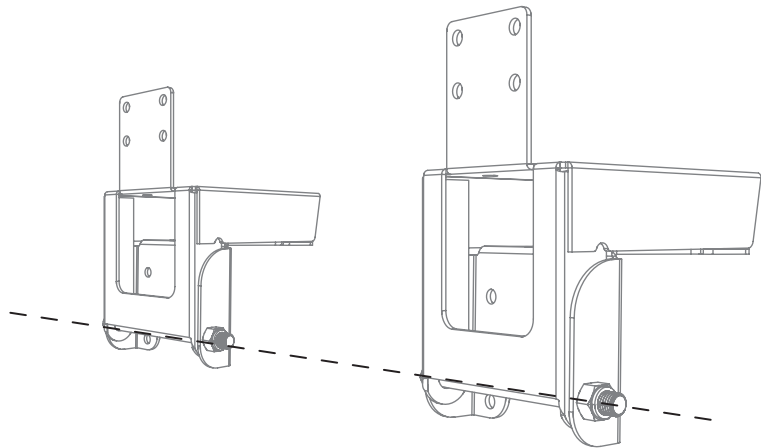
Jumping direction



**IMPORTANT**  
The posts must be:  
**PARALLEL, & FRONTAL ALIGNED & SECURED TO THE GROUND**



**IMPORTANT**  
The hinges pivoting bolts must be:  
**ALIGNED**  
for the fence to operate properly.



**A** 00454  
Part no 4x

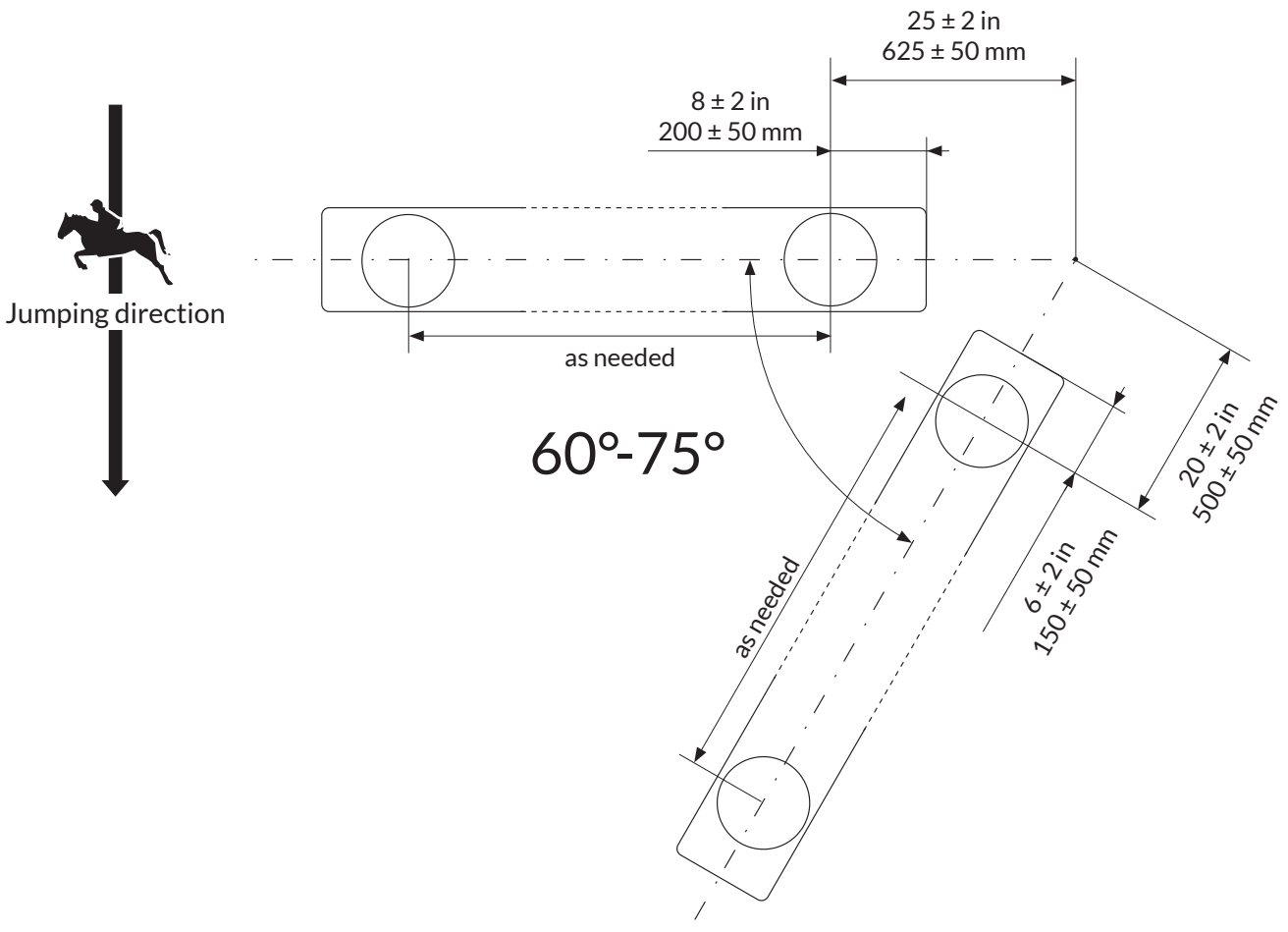
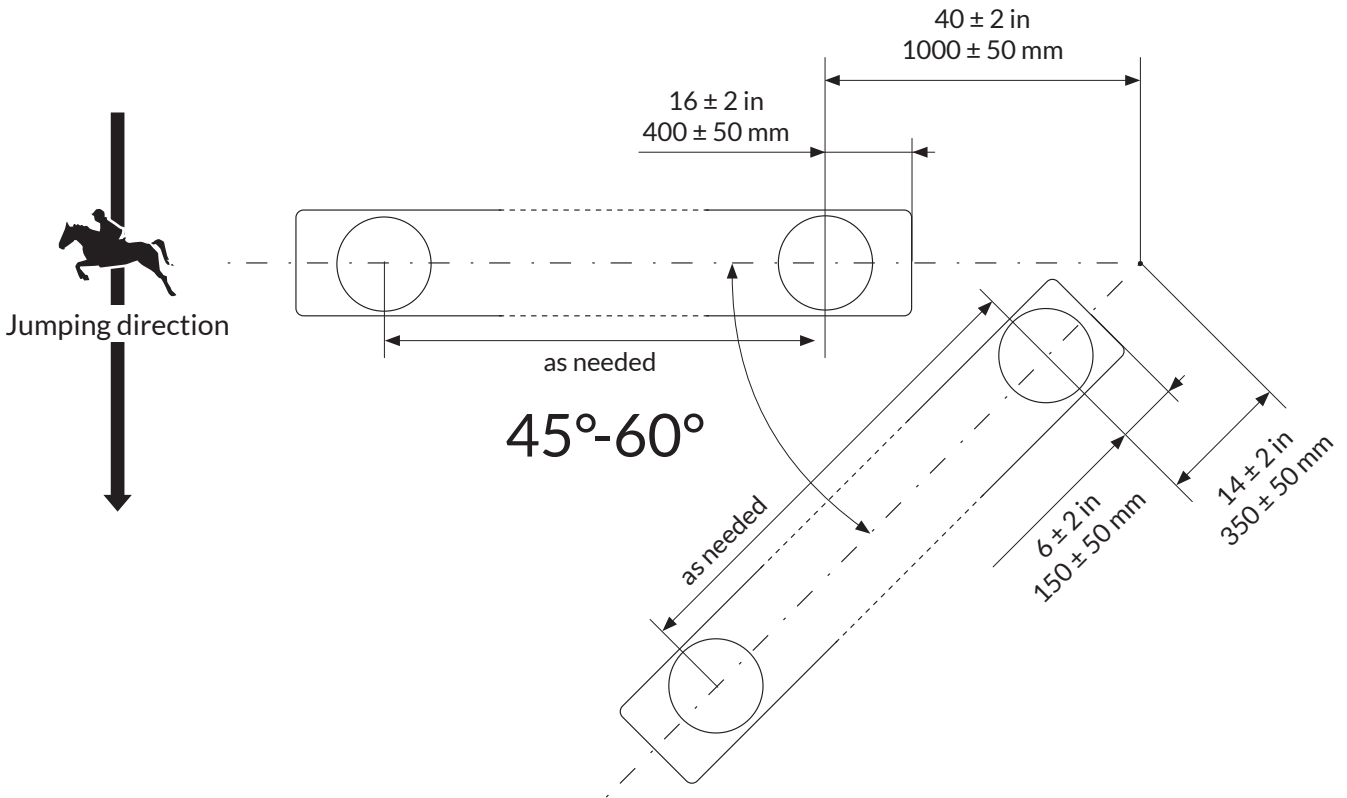
**B** F70A  
Part no 8x

**C** F18F  
Part no 12x

<p>M-TS10X90 8X</p>	<p>POST TOP SECTION 4X</p> <p>not included</p>	<p>POST BOTTOM SECTION 4X</p> <p>not included</p>	<p>RAIL 2X</p> <p>not included</p>
-------------------------	----------------------------------------------------	-------------------------------------------------------	----------------------------------------




# FENCE POSITIONING AND DIMENSIONS FOR 45° AND 60° ANGLES



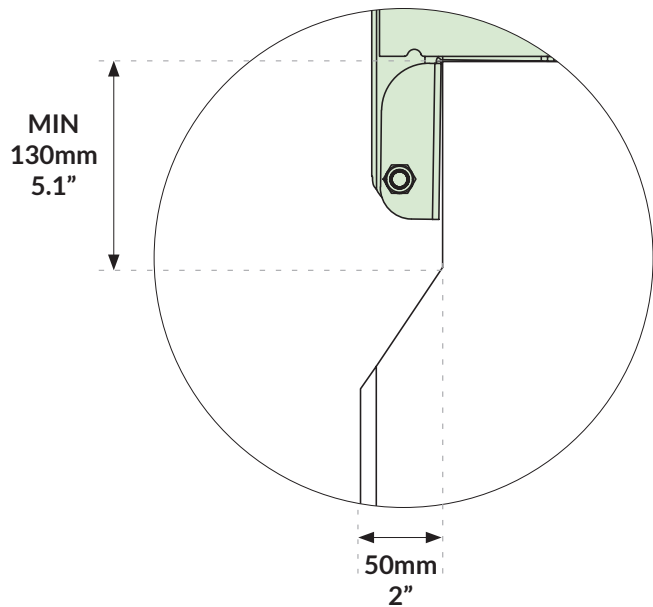
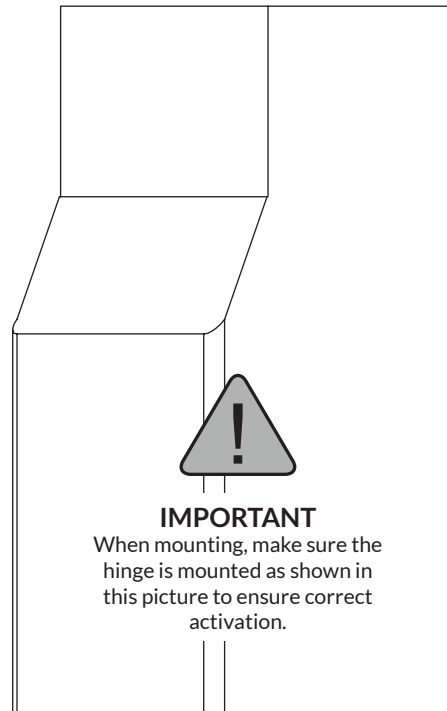
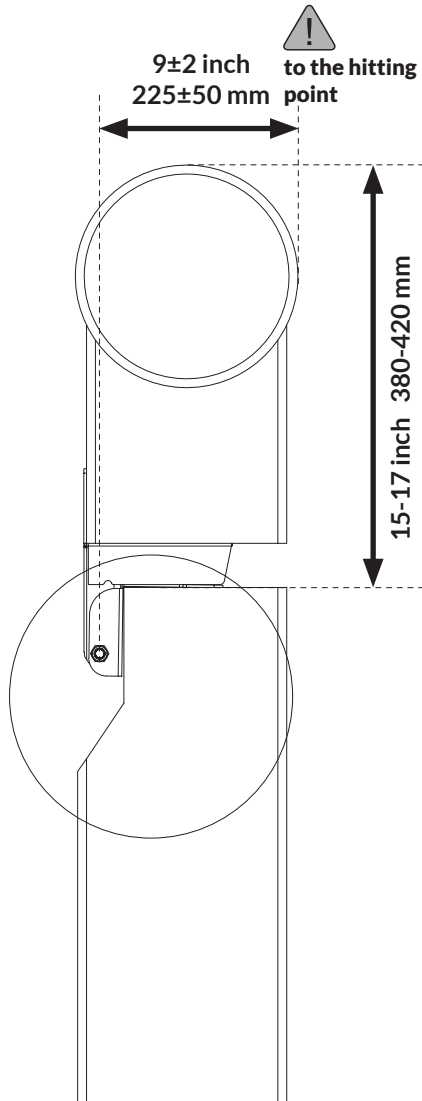
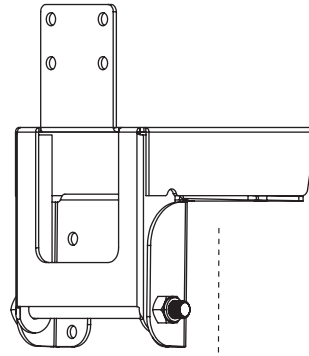
STEP  
**1a**

Cutting guide for square posts

**4X**



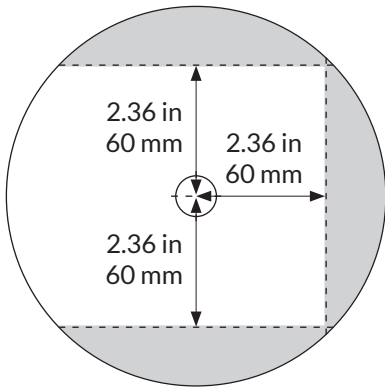
**IMPORTANT**  
Make sure you follow these measurements for correct fence release/function



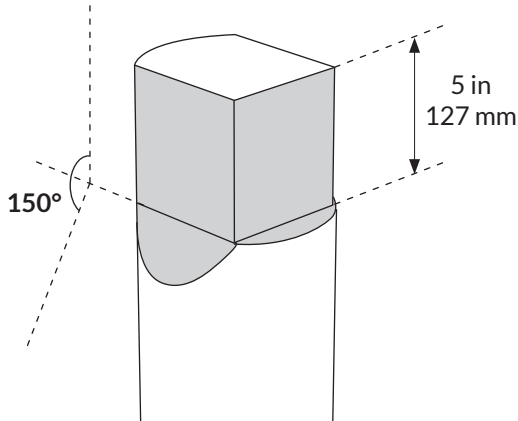
STEP  
**1b**

Cutting guide for round posts

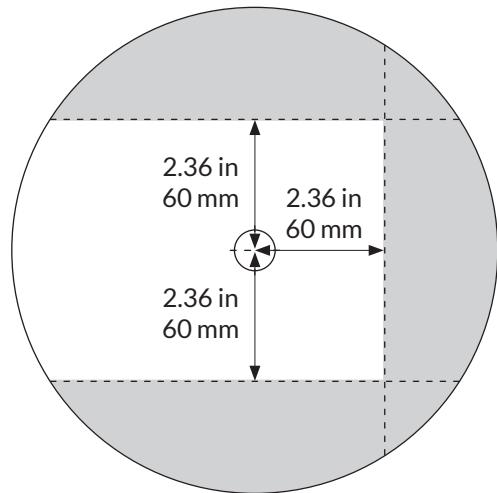
TOP VIEW



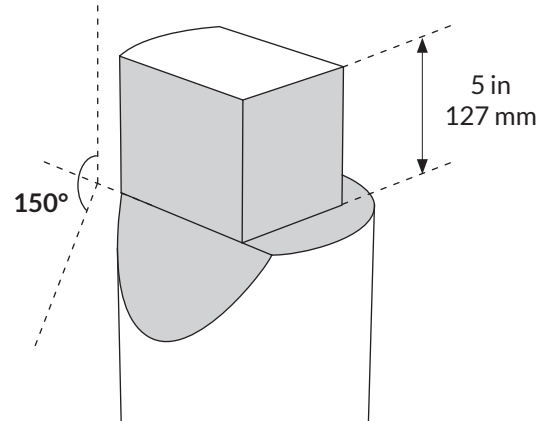
MINIMUM POST DIAMETER  
7 inch / 180 mm



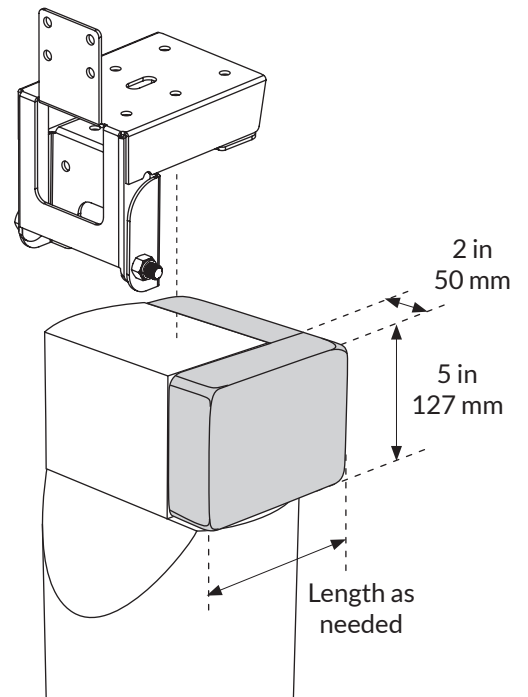
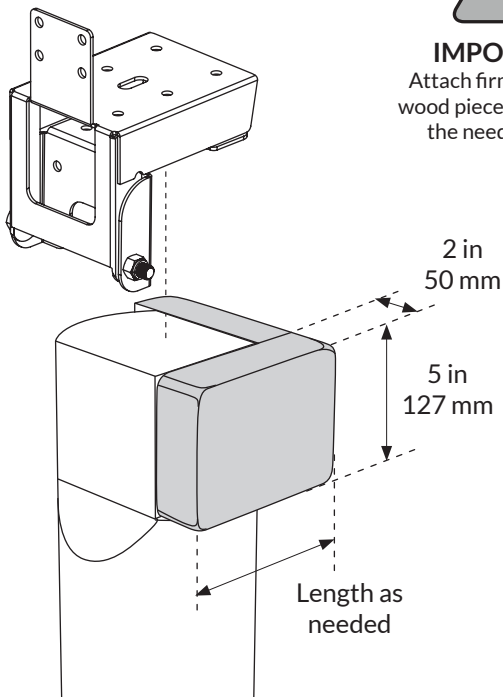
TOP VIEW



MAXIMUM POST DIAMETER  
9 inch / 230 mm

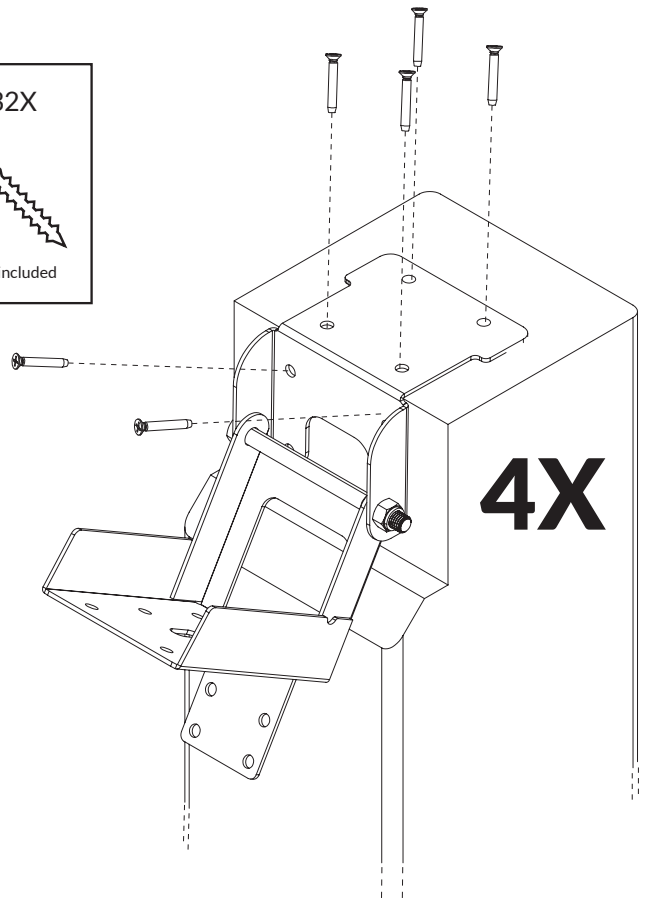
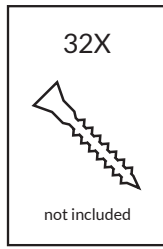
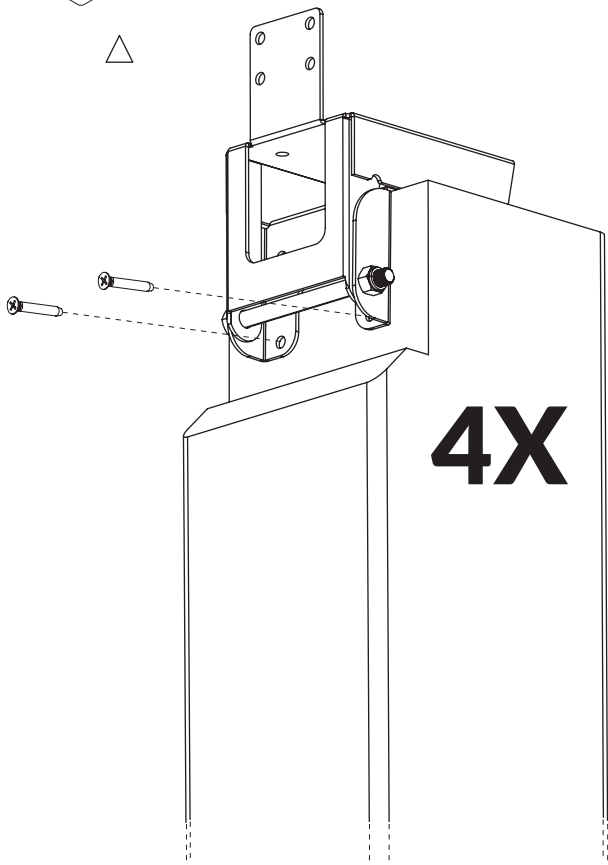


**IMPORTANT**  
Attach firmly 2x5 inch  
wood pieces as shown in  
the needed length

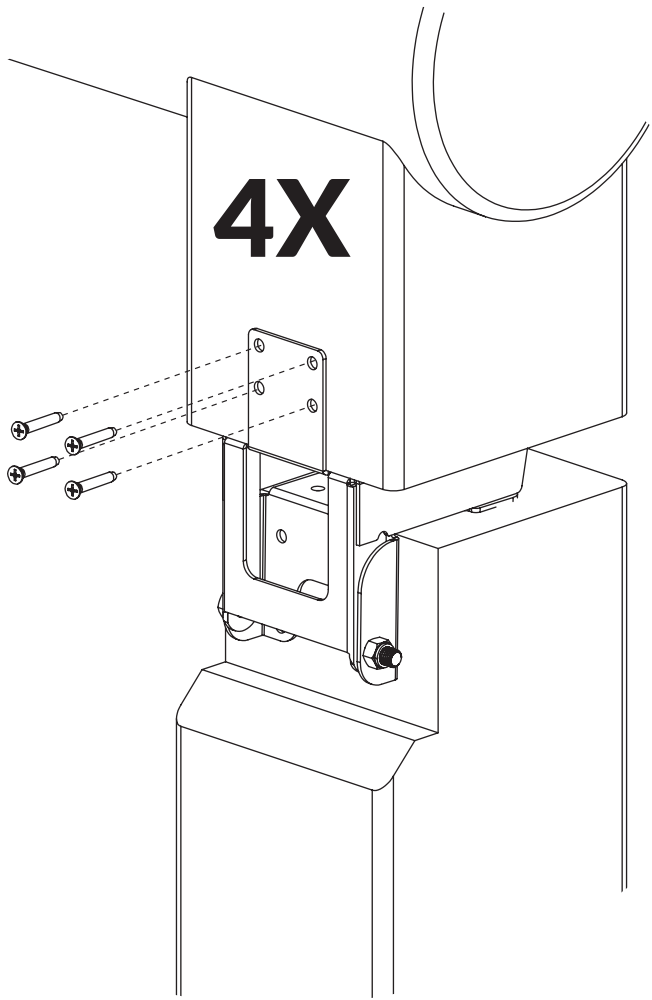
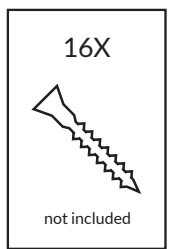


**APPLY THE SAME CUTTING PATTERN TO THE TOP PARTS**

STEP  
**2**



STEP  
**3**



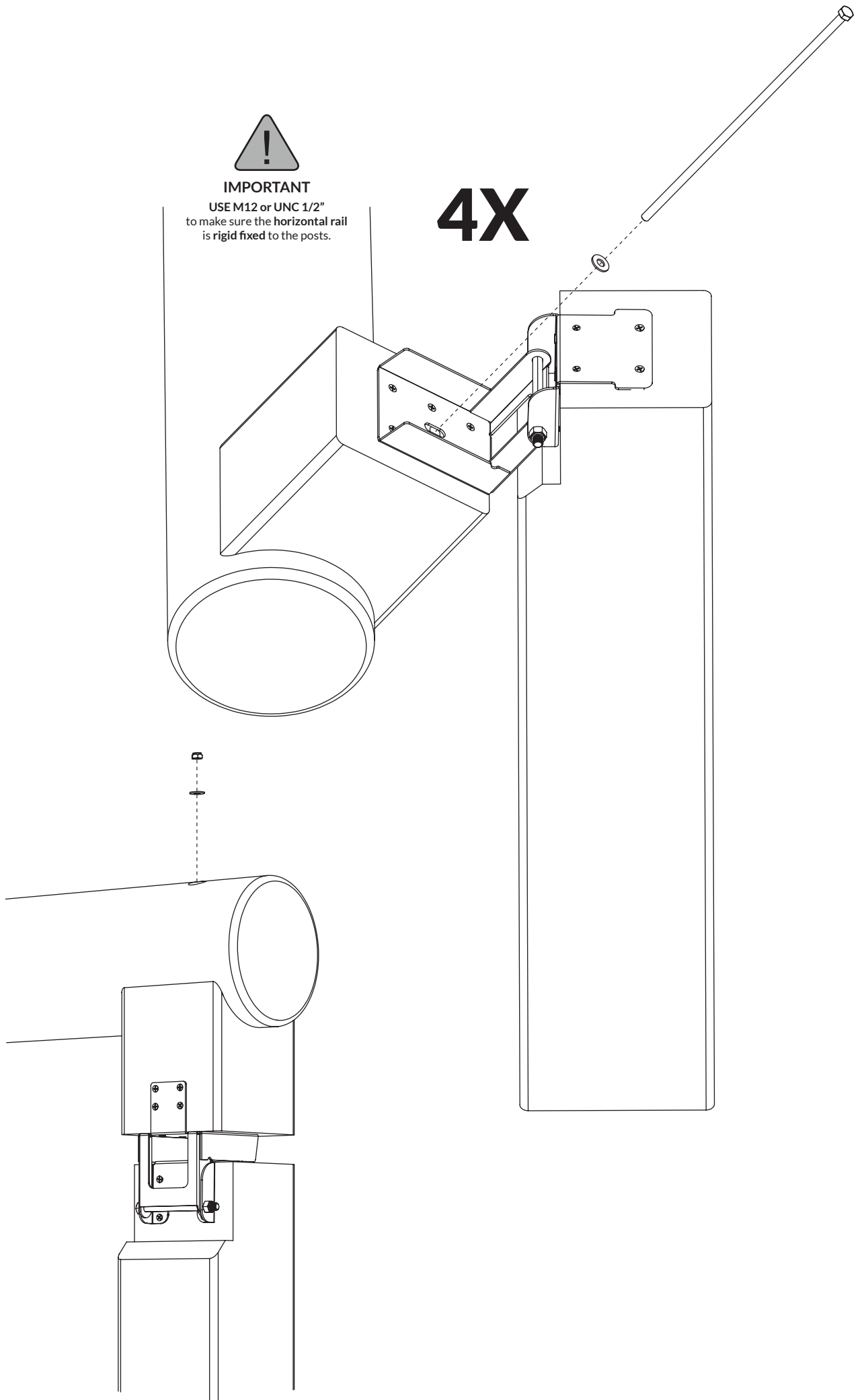
STEP  
**4**



**IMPORTANT**

USE M12 or UNC 1/2"  
to make sure the horizontal rail  
is rigid fixed to the posts.

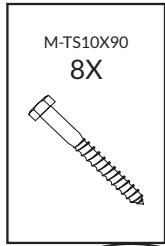
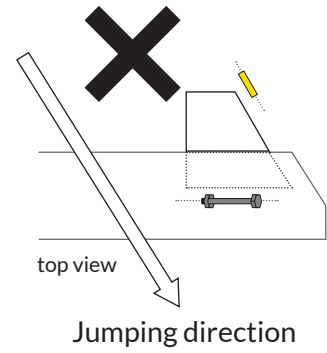
**4X**



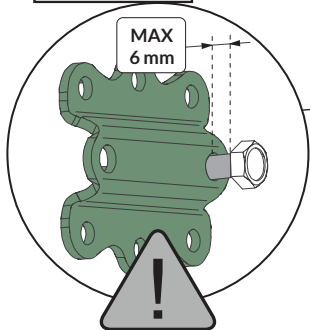
STEP  
**5**

CORRECT alignment of the clip

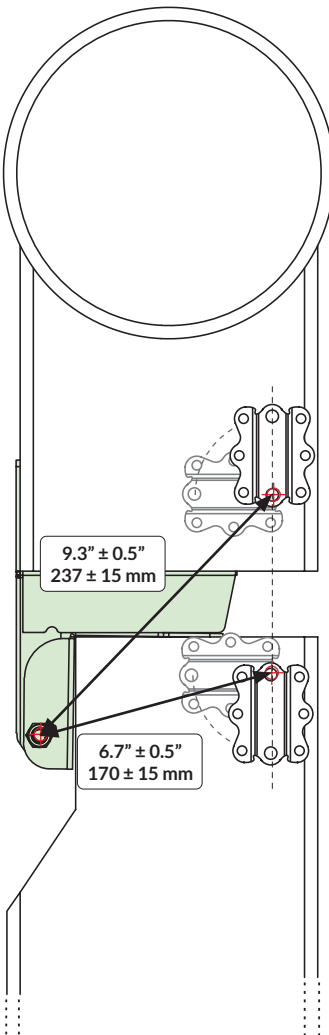
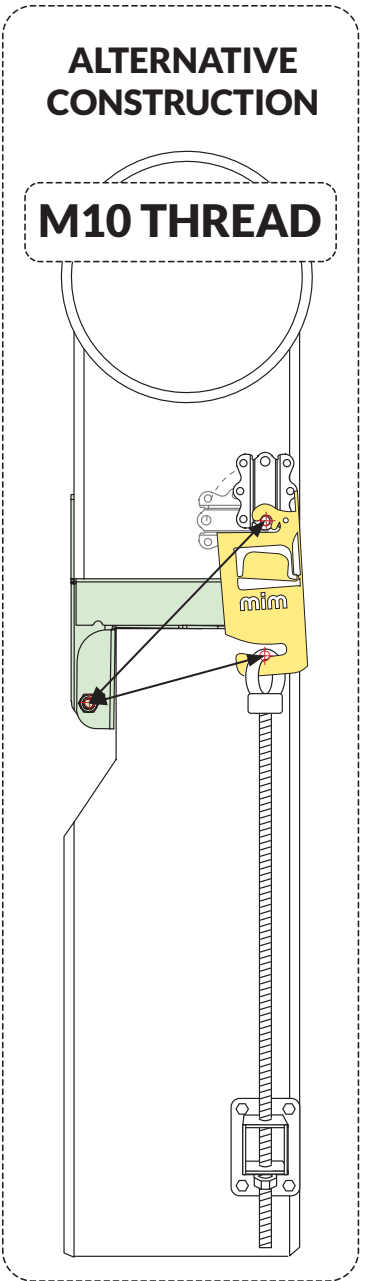
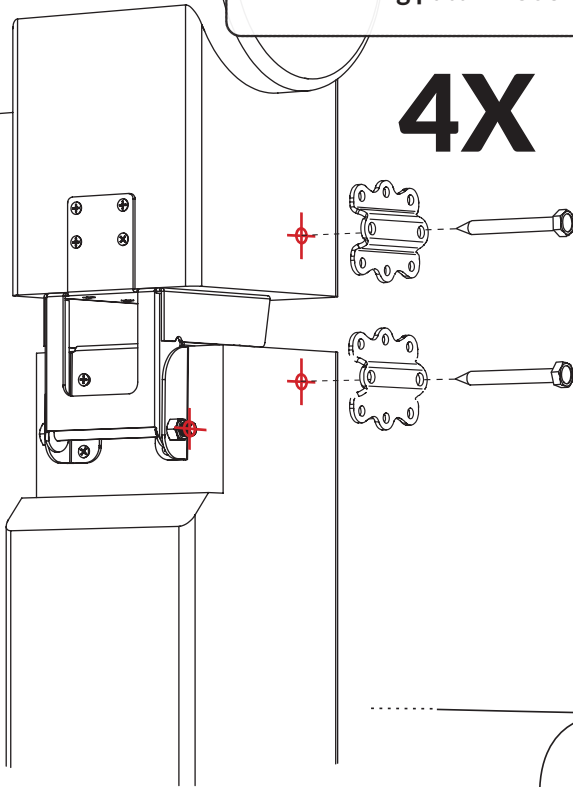
WRONG alignment of the clip



**!**  
**IMPORTANT**  
USE  
Drilling pattern 80326-DP

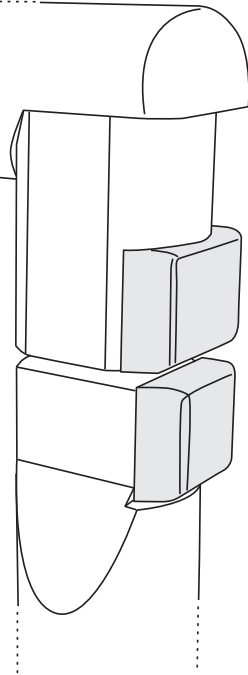


**4X**

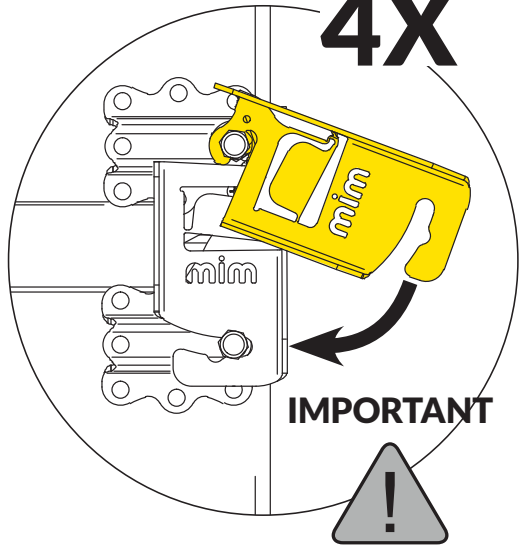


**!**  
**IMPORTANT**

Add material to create a flat surface large enough for the clip holders to be placed correctly when round posts are used

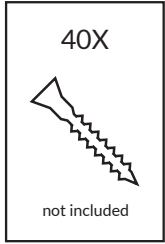
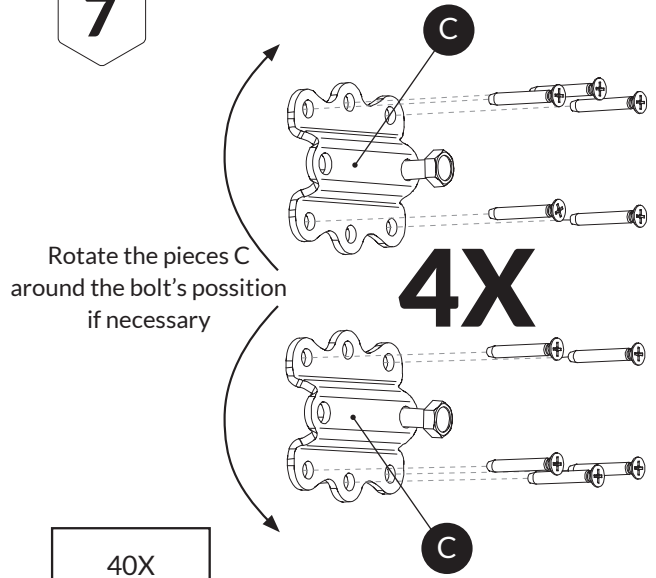


STEP  
**6**

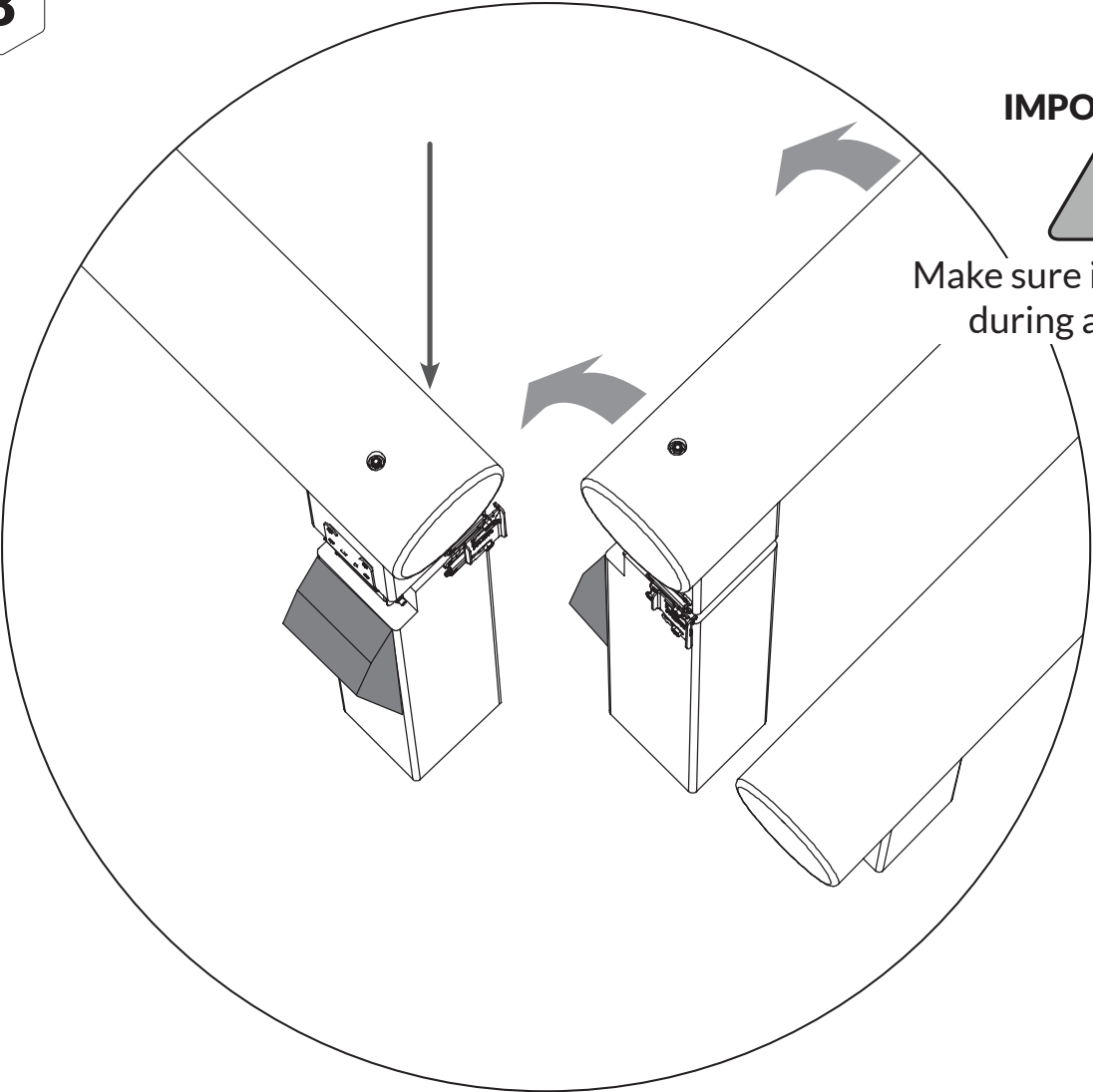


Distance between brackets should be adjusted to avoid clip C rattling.

STEP  
**7**



STEP  
**8**



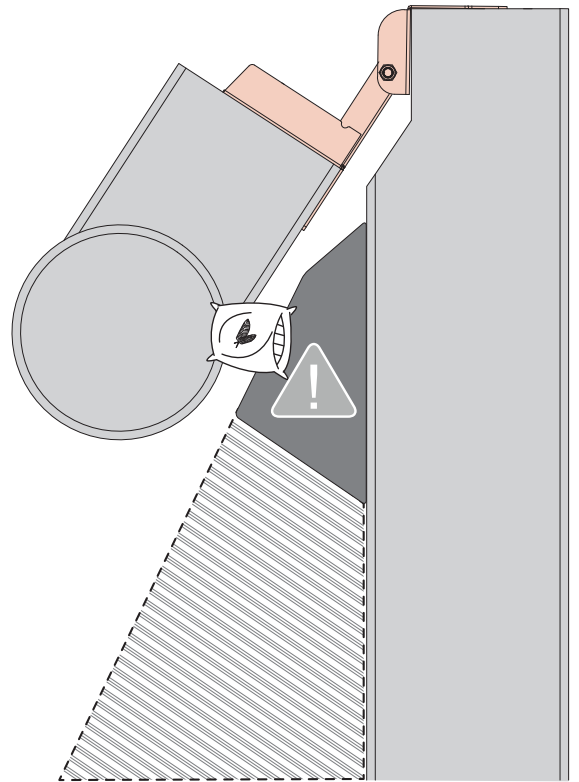
**IMPORTANT**



Add **stopping material** to avoid the hinge from hitting the fence's posts when activated

**OPTIONAL**

Extend the **stopping material** to add stability to the fence's posts



**OPTIONAL BUILD WITH NATURAL RAILS**

Ensure **the distance** shown in the illustrations below.

**IMPORTANT**

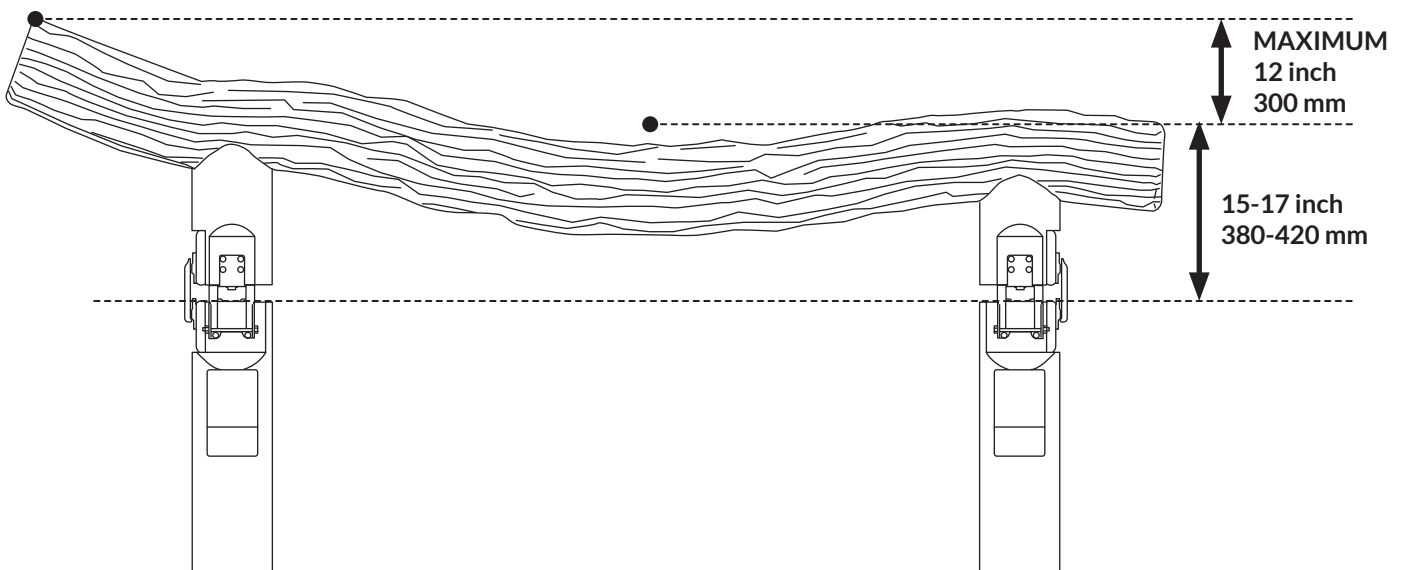
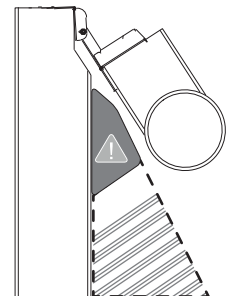


Please ensure that the distance between the hinge and the point at where the average horse will jump (OR the point at which the fence is designed to be jumped) fits within the acceptable range (15 - 17 Inch / 380 - 420 mm)

**IMPORTANT**



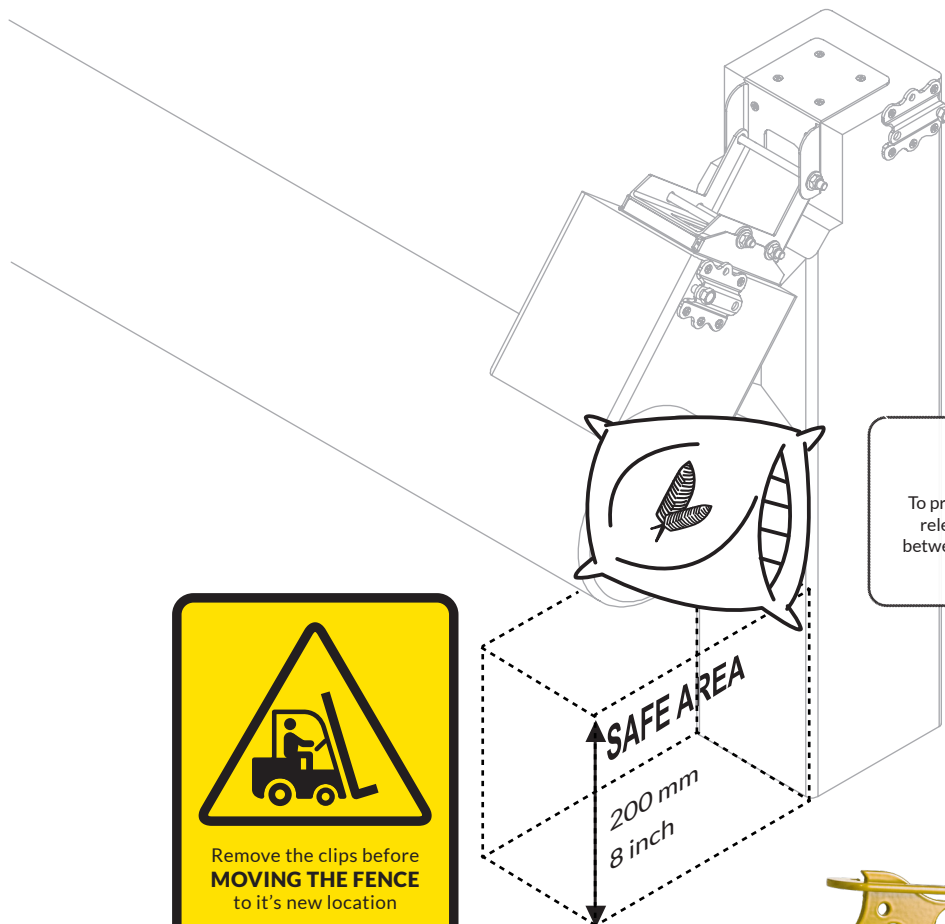
**Both sides** have to hit the stopping material at the same time





## IMPORTANT

When top section is released the distance between top section and ground should be **minimum 200 mm**.  
If distance between ground and top section is less, then place an object which will prevent the top section falling into the **SAFE AREA**



## WARNING

To protect the fence mechanism when released, put a dampening material between the safe area and the released part of the fence.



The flag is bent when fatigued.

### The advantages of the Corner Kit

1. It has been produced with safety being the first and foremost important factor.
2. Reduces the possibility of rotational falls.
3. FEI approved number FEI15SWE.
4. Controlled movement of fence during release.
5. Reconstruction time is less than 30 seconds.
6. The parts are made of powder coated steel and can be left outside, no maintenance is required.
7. The very highest quality of product from Sweden ISO 9001.

### The advantages of the MIMclip

The MIMclip (F18F) breaks on impact. The flag is bent when the clip is exposed to fatigue. In both cases the clip must be replaced. The top section is connected to the post with a hinge that makes the fence easy to reconstruct. This saves time, guarantees fair and correct judging for riders and contributes to the overall safety of the sport.