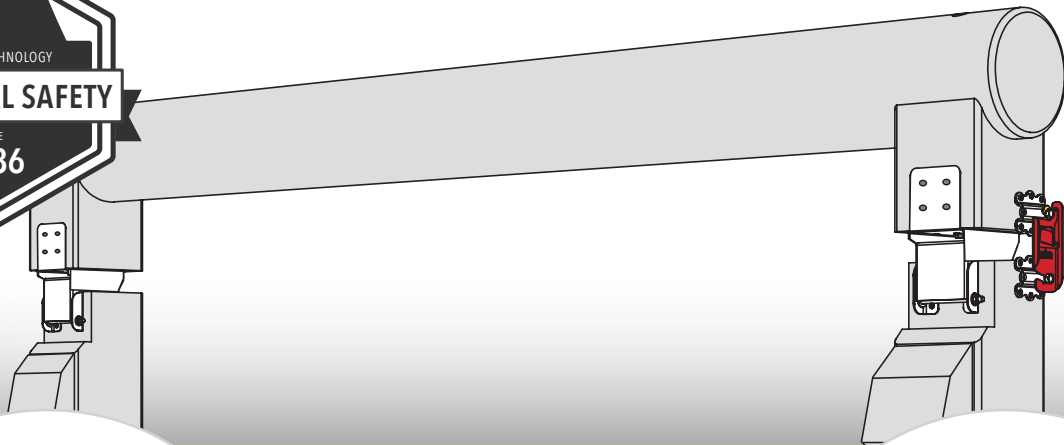


# Post & Rail Narrow Kit - 80322

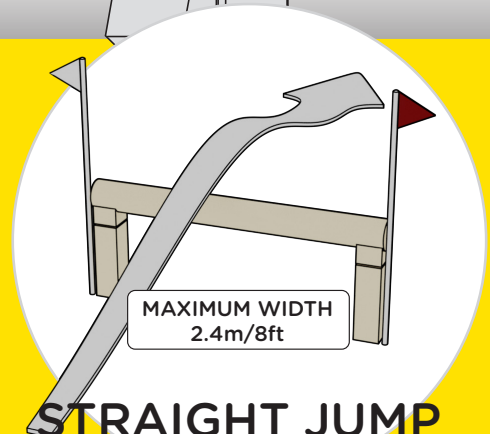
# mimSAFE

mimclip.mimsafe.com



**ANGLED JUMP**  
USING YELLOW CLIP

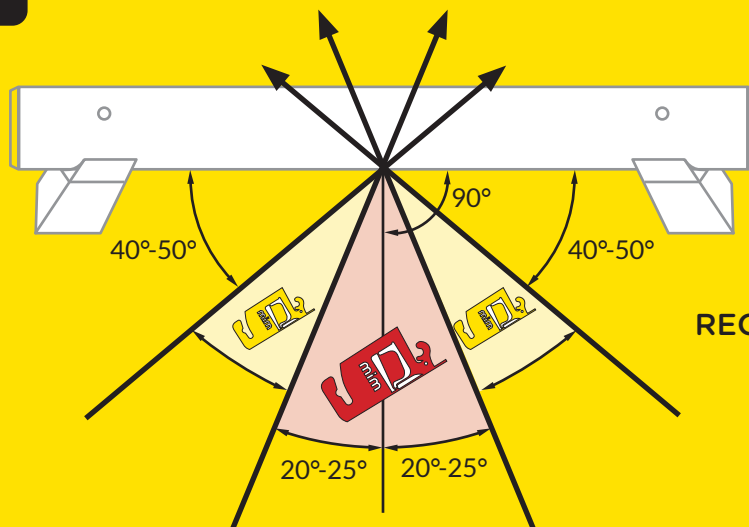
order separately  
kit nr.80328



**STRAIGHT JUMP**  
USING RED CLIP

included in this kit

INTENDED  
JUMPING ANGLE



RECOMMENDED TOOL

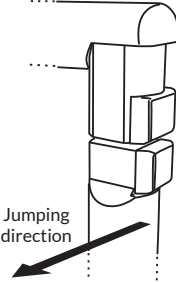
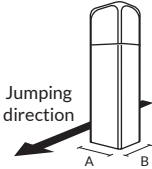




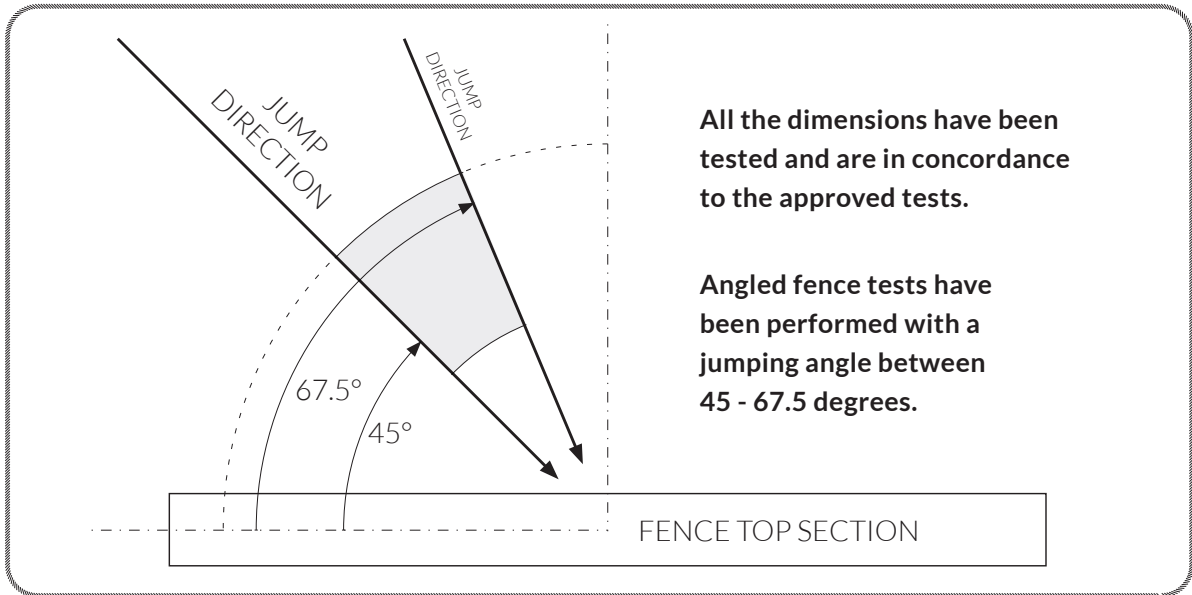
# INFORMATION ABOUT THE POST & RAIL NARROW KIT

The Post & Rail Narrow Kit has been designed and developed specifically to greatly reduce the risk of rotational falls. The most important element of this kit is that it will not

break the fence or risk injury to the horse if hit vertically. The rail is only released when impacted horizontally by the horse. The risk of a resulting rotational fall is thus reduced.

## FENCE DIMENSIONS

ROUND POST	SQUARE POST	TOP SECTION ANGLED JUMP	TOP SECTION STRAIGHT JUMP																
																			
<b>DIAMETER</b>	<b>A: MIN-MAX SIZE</b>	<b>MIN-MAX WEIGHT</b>	<b>MIN-MAX WEIGHT</b>																
<table border="1"> <tr><td>9 - 11</td><td>inch</td></tr> <tr><td>225 - 275</td><td>mm</td></tr> </table>	9 - 11	inch	225 - 275	mm	<table border="1"> <tr><td>6 - 8</td><td>inch</td></tr> <tr><td>150 - 200</td><td>mm</td></tr> </table>	6 - 8	inch	150 - 200	mm	<table border="1"> <tr><td>175 - 240</td><td>lb</td></tr> <tr><td>80 - 110</td><td>kg</td></tr> </table>	175 - 240	lb	80 - 110	kg	<table border="1"> <tr><td>165 - 200</td><td>lb</td></tr> <tr><td>75 - 90</td><td>kg</td></tr> </table>	165 - 200	lb	75 - 90	kg
9 - 11	inch																		
225 - 275	mm																		
6 - 8	inch																		
150 - 200	mm																		
175 - 240	lb																		
80 - 110	kg																		
165 - 200	lb																		
75 - 90	kg																		
	<b>B: MIN-MAX SIZE</b>	<b>MIN-MAX DIAMETER</b>	<b>MIN-MAX DIAMETER</b>																
	<table border="1"> <tr><td>8-9</td><td>inch</td></tr> <tr><td>200-225</td><td>mm</td></tr> </table>	8-9	inch	200-225	mm	<table border="1"> <tr><td>8 - 12</td><td>inch</td></tr> <tr><td>200 - 300</td><td>mm</td></tr> </table>	8 - 12	inch	200 - 300	mm	<table border="1"> <tr><td>8 - 12</td><td>inch</td></tr> <tr><td>200 - 300</td><td>mm</td></tr> </table>	8 - 12	inch	200 - 300	mm				
8-9	inch																		
200-225	mm																		
8 - 12	inch																		
200 - 300	mm																		
8 - 12	inch																		
200 - 300	mm																		
		<b>MAXIMUM LENGTH</b>	<b>MAXIMUM LENGTH</b>																
		<table border="1"> <tr><td>12</td><td>ft</td></tr> <tr><td>3600</td><td>mm</td></tr> </table>	12	ft	3600	mm	<table border="1"> <tr><td>8</td><td>ft</td></tr> <tr><td>2400</td><td>mm</td></tr> </table>	8	ft	2400	mm								
12	ft																		
3600	mm																		
8	ft																		
2400	mm																		

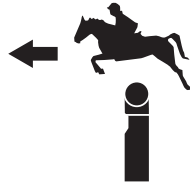


It is essential to follow the recommended dimensions on the fence for the correct function. If the recommended procedure is not correctly followed it may cause the failure of the device.

For your own safety and that of others please note the following step by step advice for correct preparation and installation. It is important that you follow your own health and safety requirements when constructing this kit.

**Ensure that you have all parts of the Post & Rail Narrow Kit.**  
**Be aware of the risk of injury when handling heavy rails, posts and the tools for mounting.**

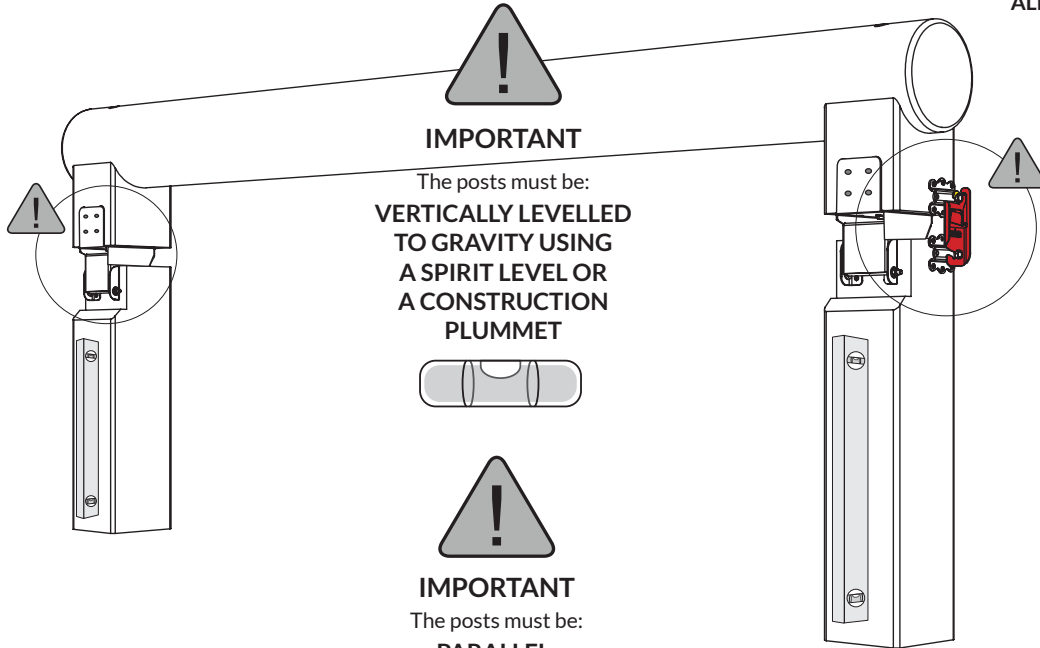
**WARNING!**



Jumping direction

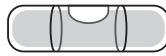


**IMPORTANT**  
The clips must be placed on  
**ALL** posts.



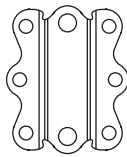
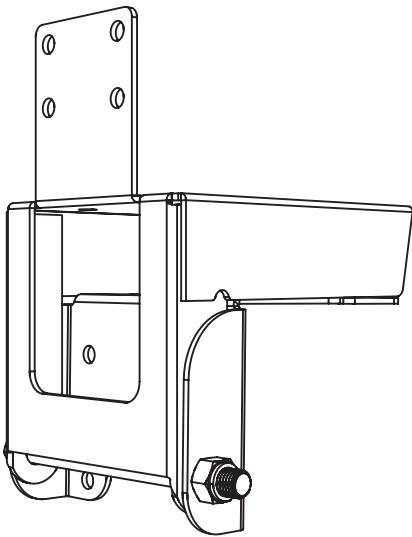
**IMPORTANT**

The posts must be:  
**VERTICALLY LEVELLED  
TO GRAVITY USING  
A SPIRIT LEVEL OR  
A CONSTRUCTION  
PLUMMET**



**IMPORTANT**

The posts must be:  
**PARALLEL,  
& FRONTAL ALIGNED &  
SECURED TO THE GROUND**



order separately  
kit nr.80328

**A** 00454  
Part no 2x

**B** F70A  
Part no 4x

**D** F18C  
Part no 6x

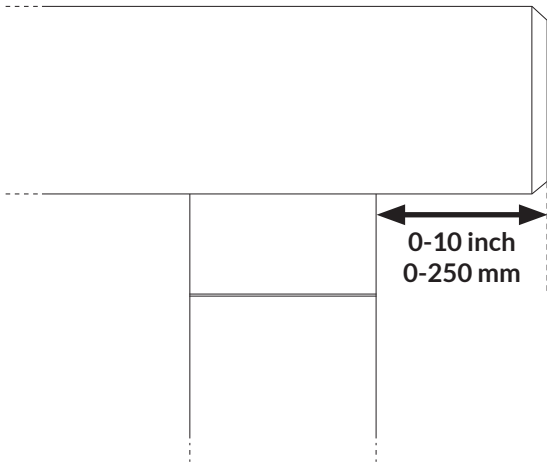
**C** F18F  
Part no 6x

<p>M-TS10X90 4X</p>	<p>POST TOP SECTION 2X</p> <p>not included</p>	<p>POST BOTTOM SECTION 2X</p> <p>not included</p>	<p>RAIL 1X</p> <p>not included</p>
-------------------------	--	---	--

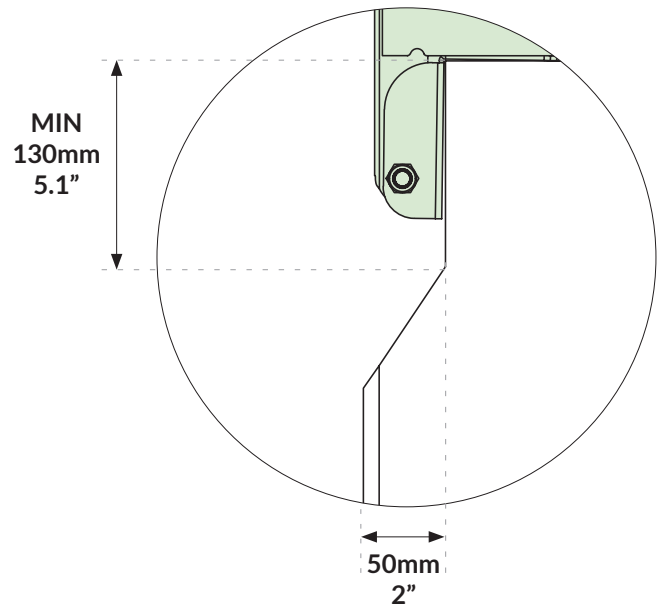
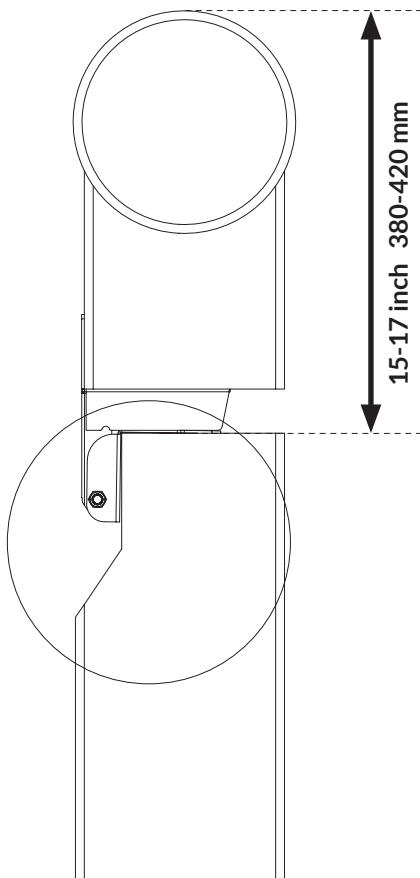
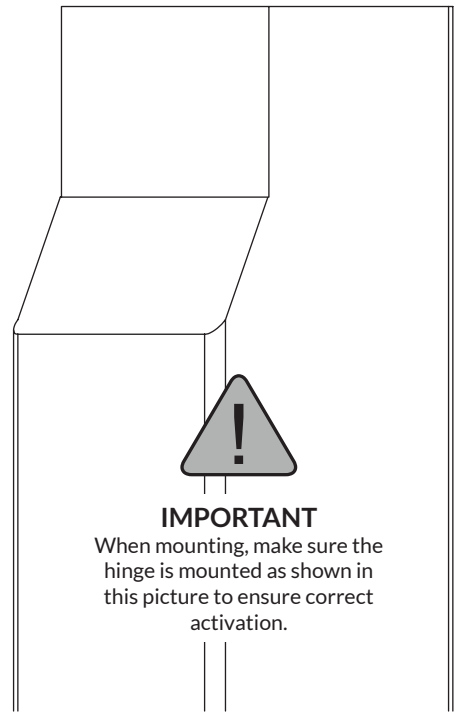
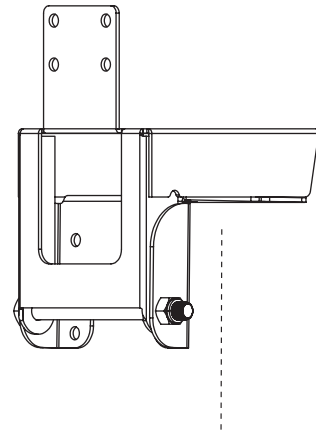
STEP  
**1a**

Square posts

**2X**

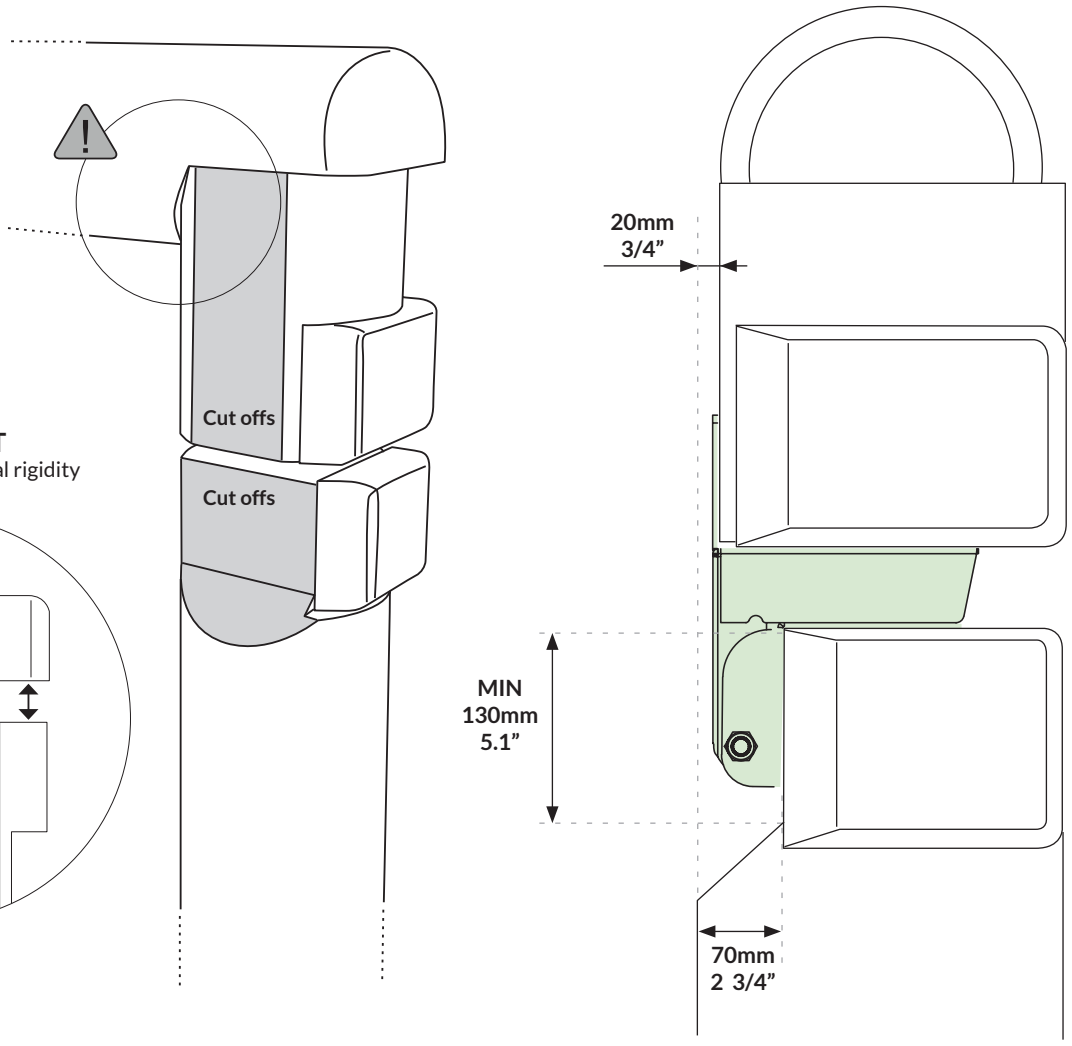


**IMPORTANT**  
Make sure you follow these measurements for correct fence release/function

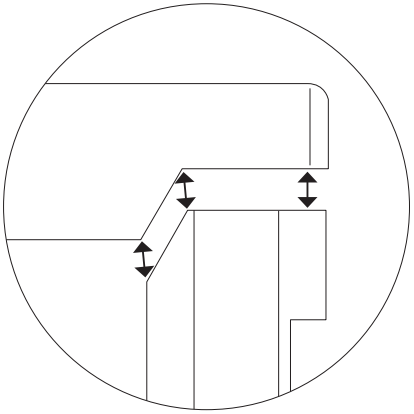


STEP  
**1b**

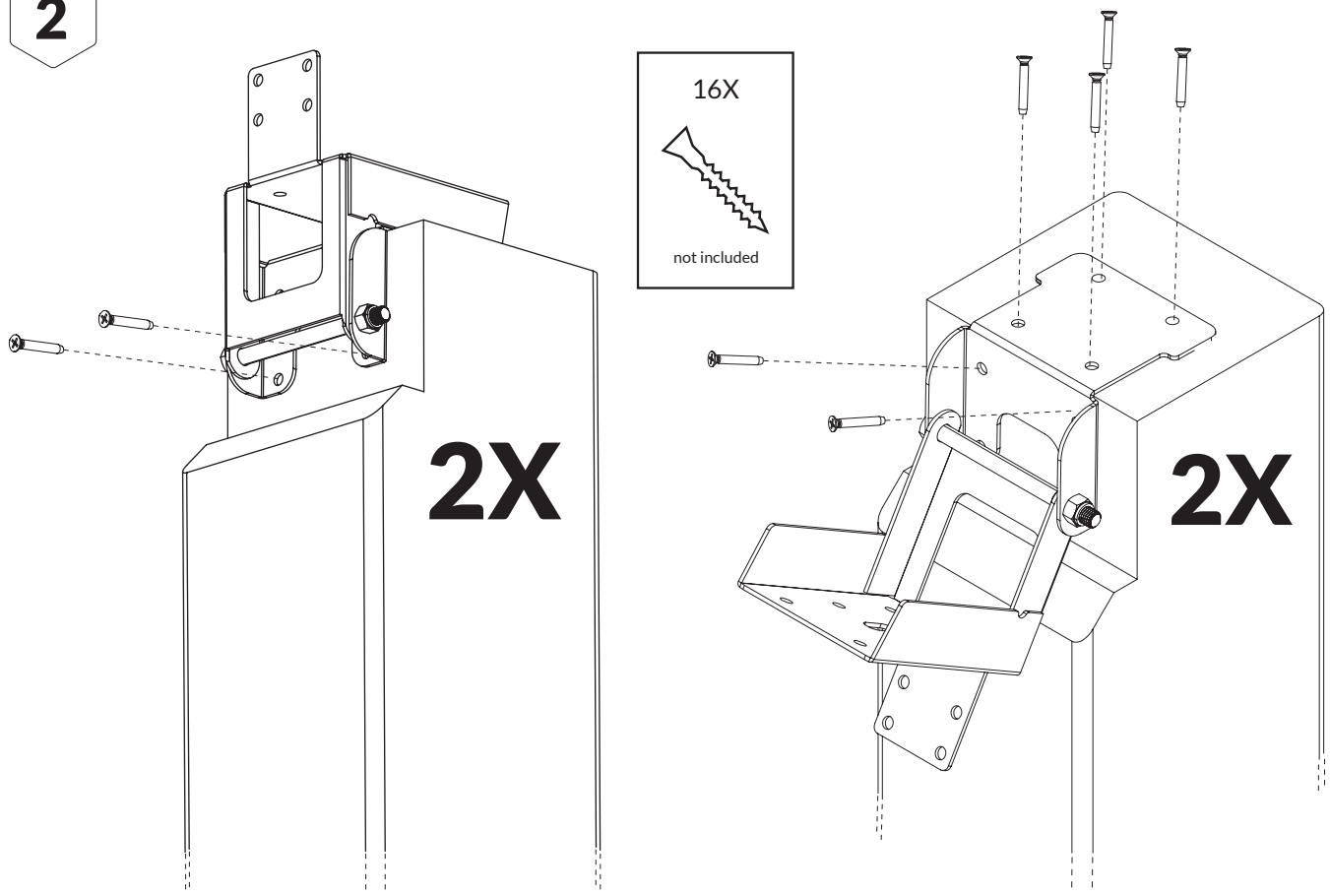
Round posts



**IMPORTANT**  
Aligned cuts for torsional rigidity



STEP  
**2**

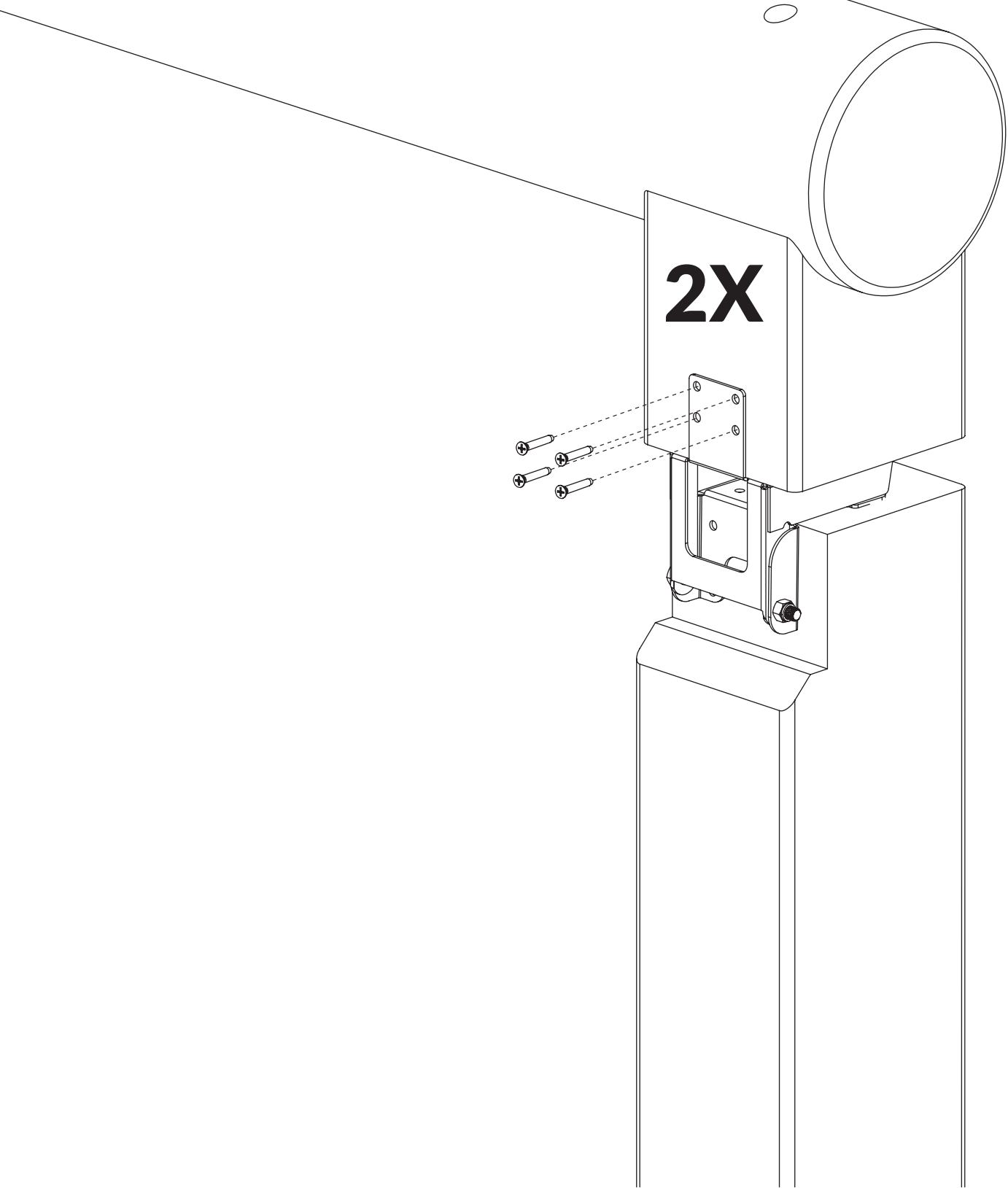
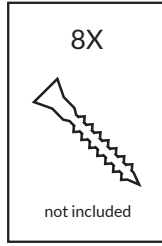


16X  
not included

**2X**

**2X**

STEP  
**3**

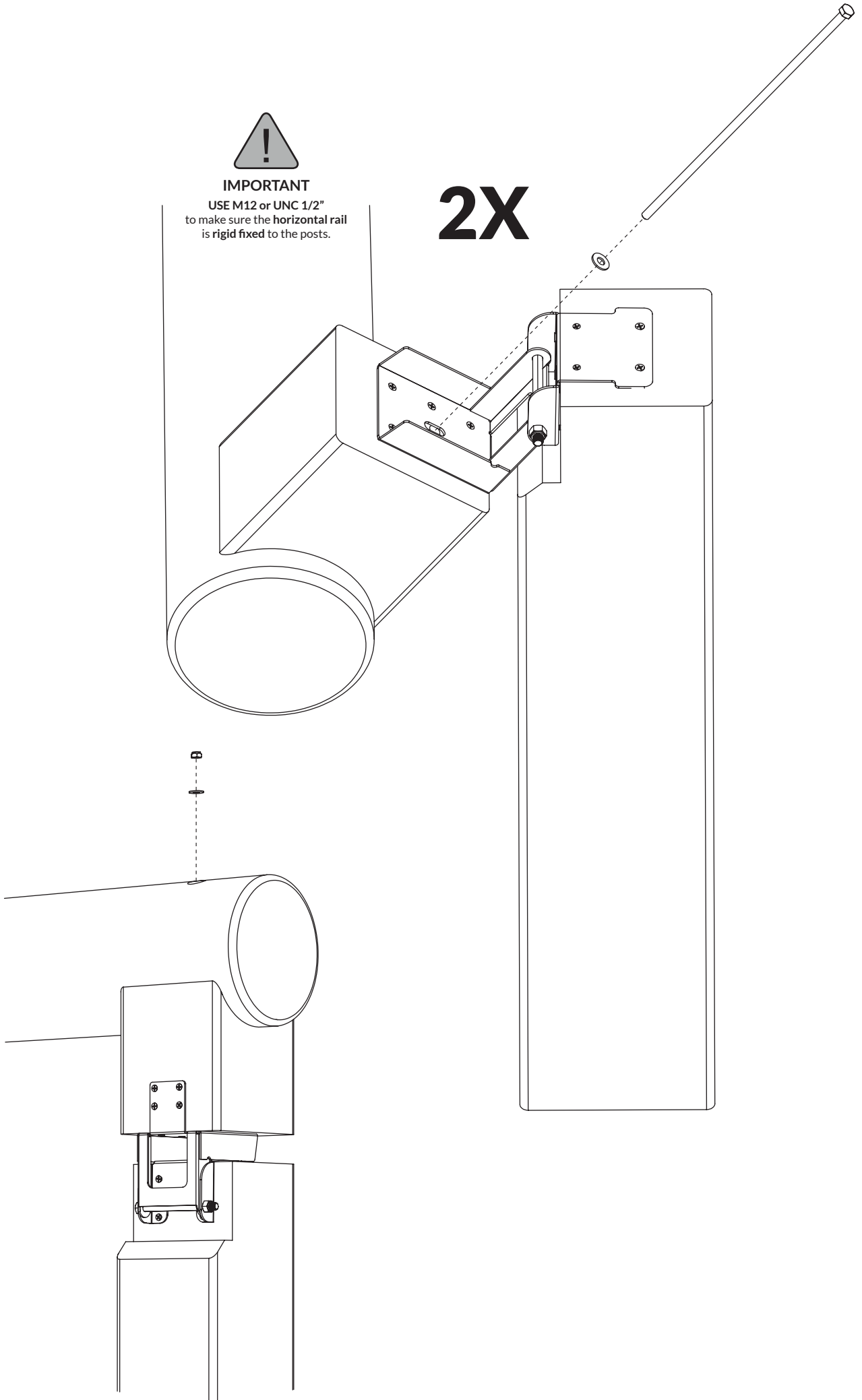


STEP  
**4**



**IMPORTANT**  
USE M12 or UNC 1/2"  
to make sure the horizontal rail  
is rigid fixed to the posts.

**2X**

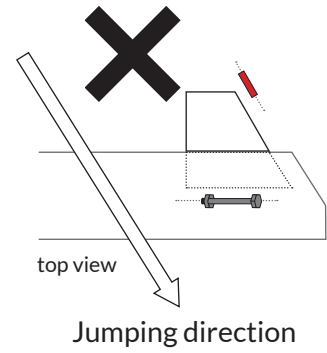


STEP  
**5**

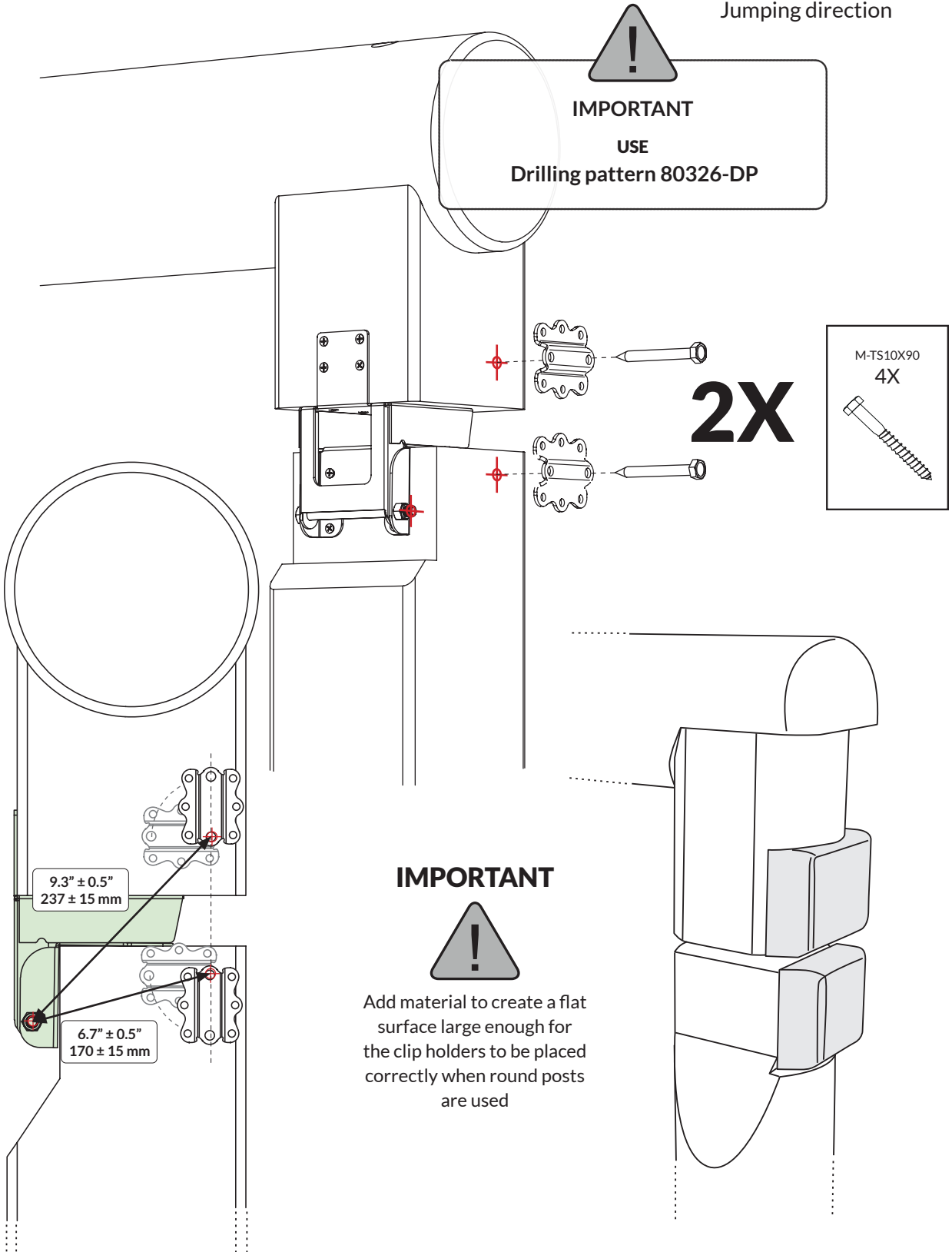
CORRECT alignment of the clip



WRONG alignment of the clip



**IMPORTANT**  
USE  
Drilling pattern 80326-DP



**IMPORTANT**



Add material to create a flat surface large enough for the clip holders to be placed correctly when round posts are used



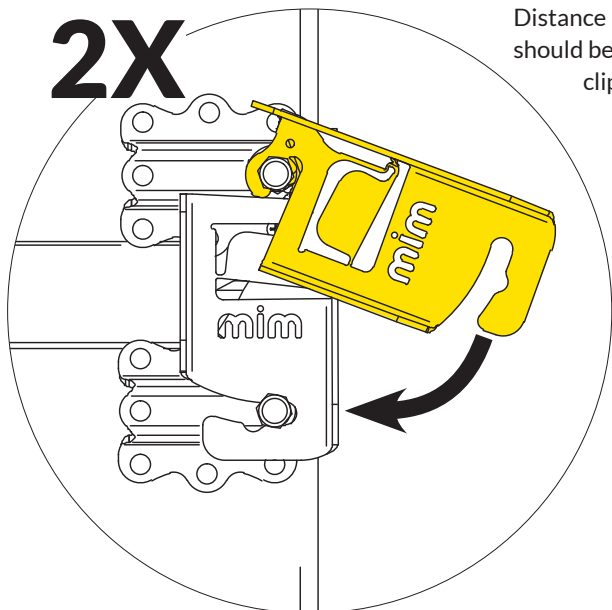
STEP  
**6**

### IMPORTANT



Distance between brackets  
should be adjusted to avoid  
clip C rattling.

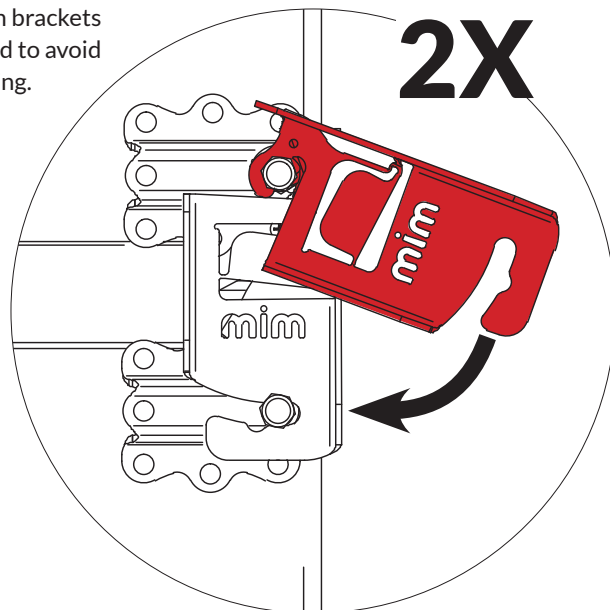
**2X**



POSITIONING OF CLIP FOR  
**ANGLED JUMP**

order separately  
kit nr.80328

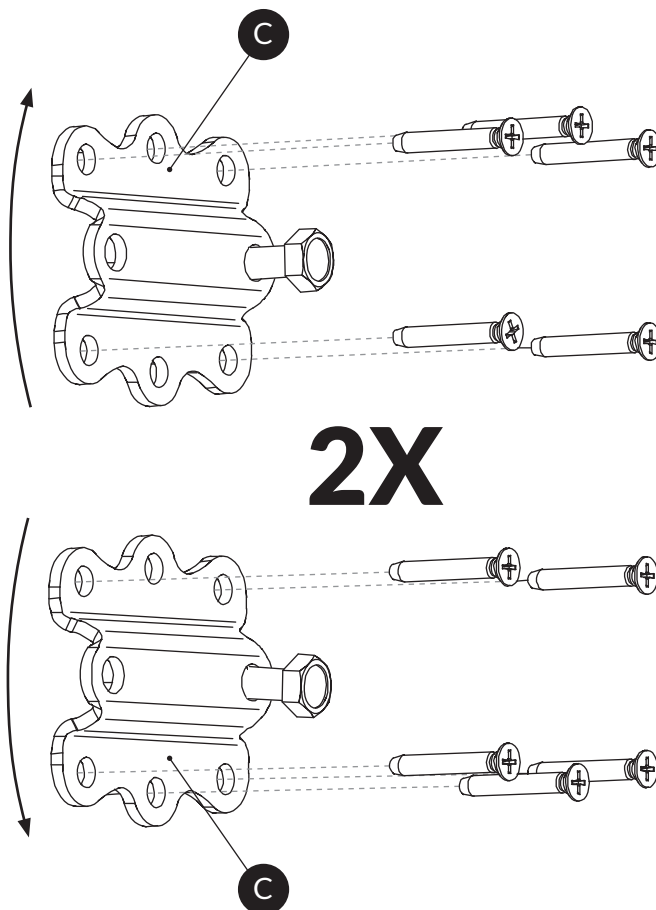
**2X**



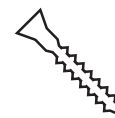
POSITIONING OF CLIP FOR  
**STRAIGHT JUMP**

STEP  
**7**

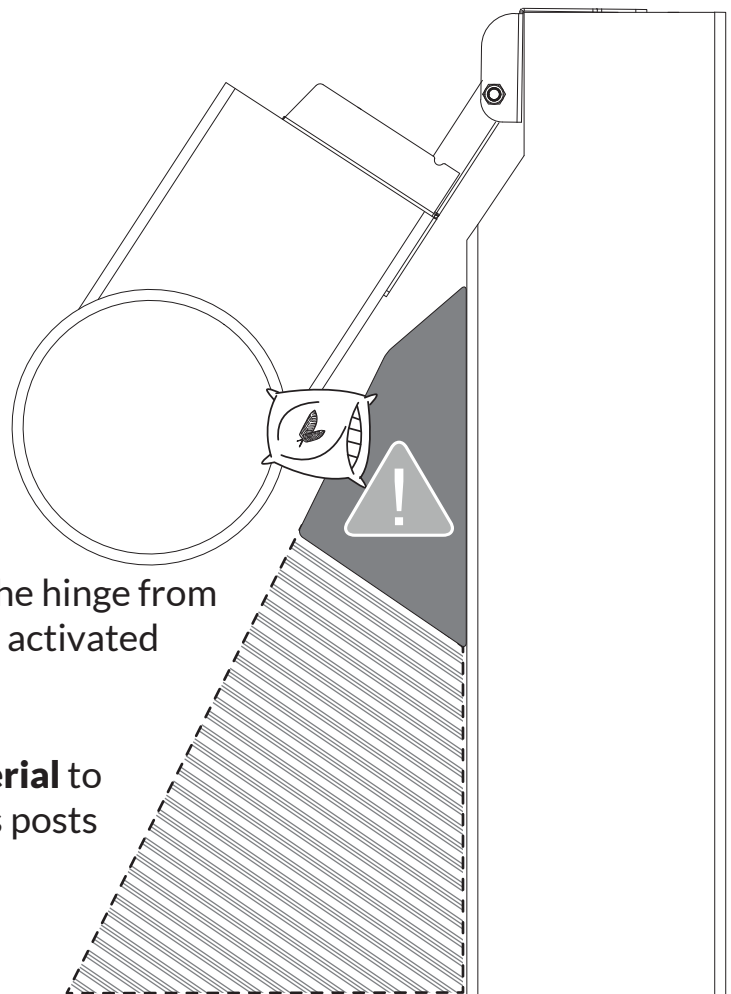
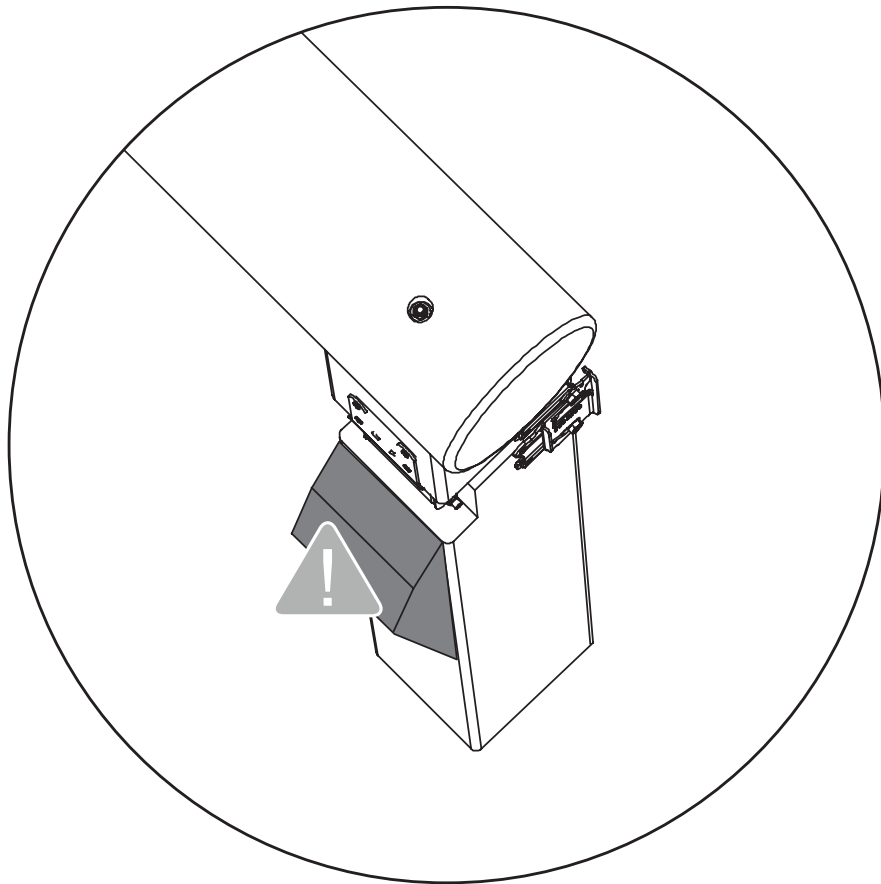
Rotate the pieces C  
around the bolt's position  
if necessary



20X



not included



**IMPORTANT**



Add **stopping material** to avoid the hinge from hitting the fence's posts when activated

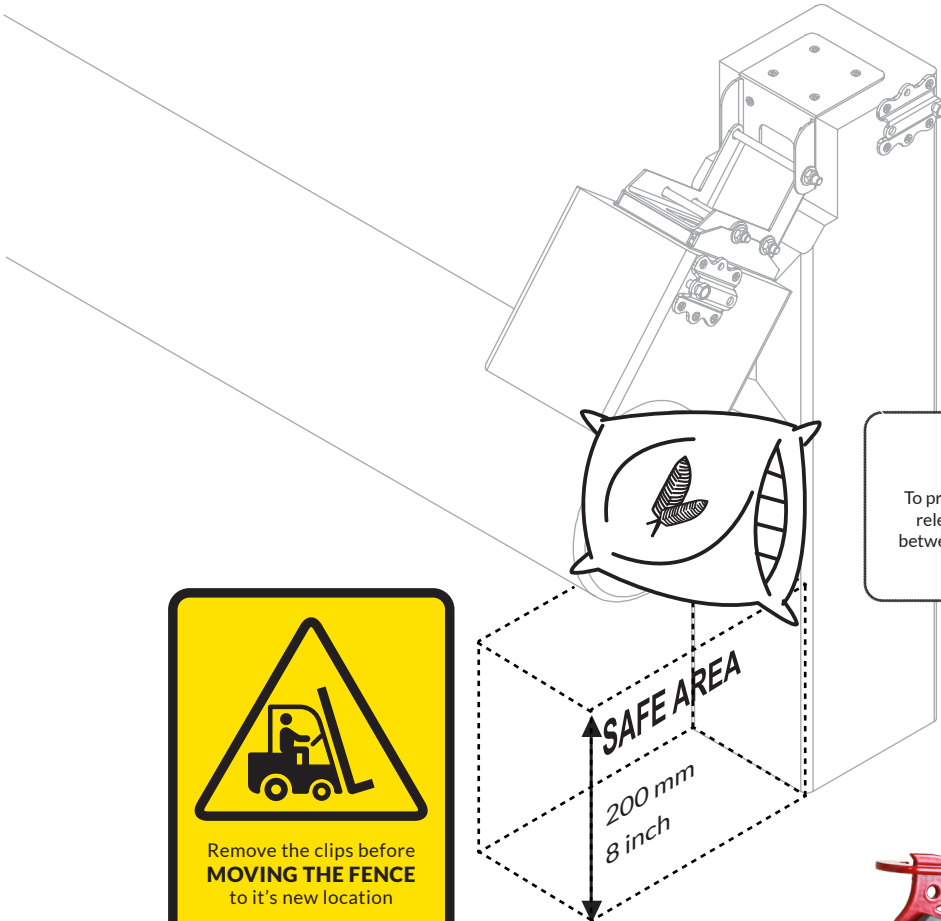
**OPTIONAL**

Extend the **stopping material** to add stability to the fence's posts



## IMPORTANT

When top section is released the distance between top section and ground should be **minimum 200 mm**.  
If distance between ground and top section is less, then place an object which will prevent the top section falling into the **SAFE AREA**



## WARNING

To protect the fence mechanism when released, put a dampening material between the safe area and the released part of the fence.



The flag is bent when fatigued.

### The advantages of the Post & Rail Narrow Kit

1. It has been produced with safety being the first and foremost important factor.
2. Reduces the possibility of rotational falls.
3. FEI approved number FEI12SWE.
4. Controlled movement of fence during release.
5. Reconstruction time is less than 30 seconds.
6. The parts are made of powder coated steel and can be left outside, no maintenance is required.
7. The very highest quality of product from Sweden ISO 9001.

### The advantages of the MIMclip

The MIMclip (F18C) breaks on impact. The flag is bent when the clip is exposed to fatigue. In both cases the clip must be replaced. The top section is connected to the post with a hinge that makes the fence easy to reconstruct. This saves time, guarantees fair and correct judging for riders and contributes to the overall safety of the sport.