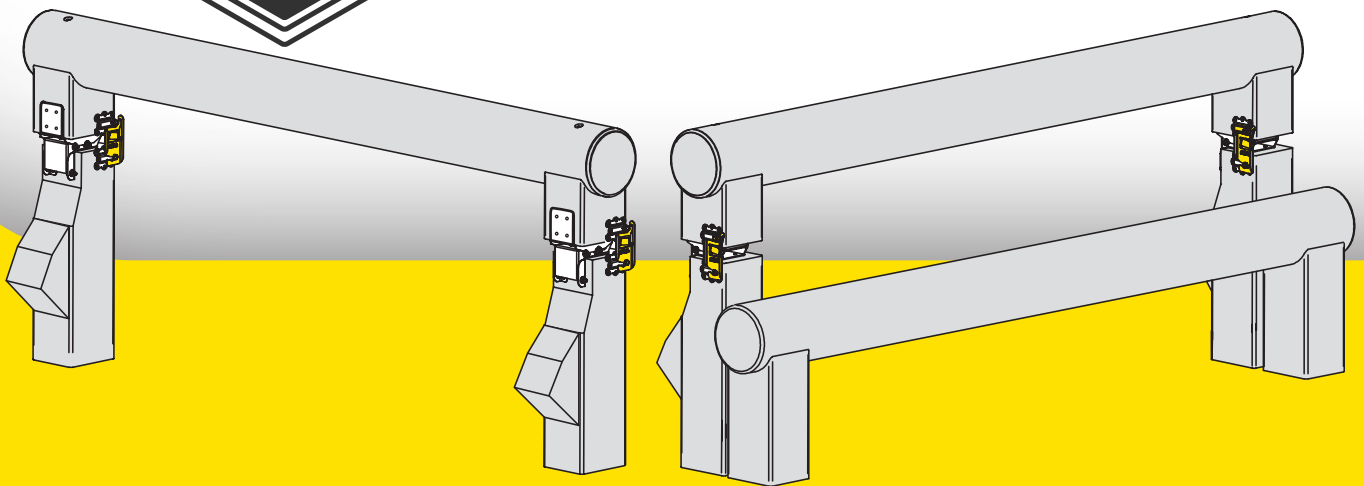


Corner Kit - 80326

mimSAFE
mimclip.mimsafe.com



ASSEMBLY AND OPERATION INSTRUCTIONS
CORNER KIT 45°-90°

MIMCLIP SYSTEM

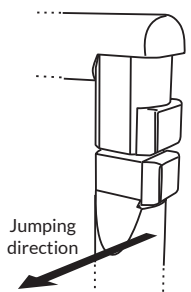
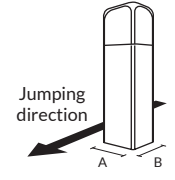
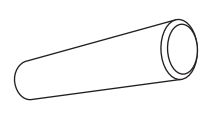


APPROVED

INFORMATION ABOUT THE CORNER KIT

The Corner Kit has been designed and developed specifically to greatly reduce the risk of rotational falls. The most important element of this kit is that it will not break the fence or risk injury

to the horse if hit vertically. The rail is only released when impacted horizontally by the horse. The risk of a resulting rotational fall is thus reduced.

FENCE DIMENSIONS																										
<p>ROUND POST</p>  <p>Jumping direction</p>	<p>SQUARE POST</p>  <p>Jumping direction</p> <p>A B</p>	<p>RAIL</p> 																								
<p>DIAMETER</p> <table border="1"> <tr> <td>7 - 9</td> <td>inch</td> </tr> <tr> <td>180 - 230</td> <td>mm</td> </tr> </table>	7 - 9	inch	180 - 230	mm	<p>A: MIN-MAX SIZE</p> <table border="1"> <tr> <td>6 - 8</td> <td>inch</td> </tr> <tr> <td>150 - 200</td> <td>mm</td> </tr> </table> <p>B: MIN-MAX SIZE</p> <table border="1"> <tr> <td>8-9</td> <td>inch</td> </tr> <tr> <td>200-225</td> <td>mm</td> </tr> </table>	6 - 8	inch	150 - 200	mm	8-9	inch	200-225	mm	<p>MIN-MAX WEIGHT</p> <table border="1"> <tr> <td>175 - 240</td> <td>lb</td> </tr> <tr> <td>80 - 110</td> <td>kg</td> </tr> </table> <p>MIN-MAX DIAMETER</p> <table border="1"> <tr> <td>8 - 12</td> <td>inch</td> </tr> <tr> <td>200 - 300</td> <td>mm</td> </tr> </table> <p>MAXIMUM LENGTH</p> <table border="1"> <tr> <td>12</td> <td>ft</td> </tr> <tr> <td>3600</td> <td>mm</td> </tr> </table>	175 - 240	lb	80 - 110	kg	8 - 12	inch	200 - 300	mm	12	ft	3600	mm
7 - 9	inch																									
180 - 230	mm																									
6 - 8	inch																									
150 - 200	mm																									
8-9	inch																									
200-225	mm																									
175 - 240	lb																									
80 - 110	kg																									
8 - 12	inch																									
200 - 300	mm																									
12	ft																									
3600	mm																									



It is essential to follow the recommended dimensions on the fence for the correct function. If the recommended procedure is not correctly followed it may cause the failure of the device.

For your own safety and that of others please note the following step by step advice for correct preparation and installation. It is important that you follow your own health and safety requirements when constructing this kit.

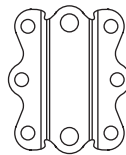
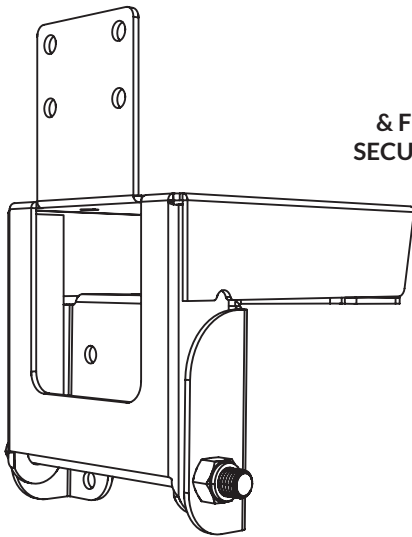
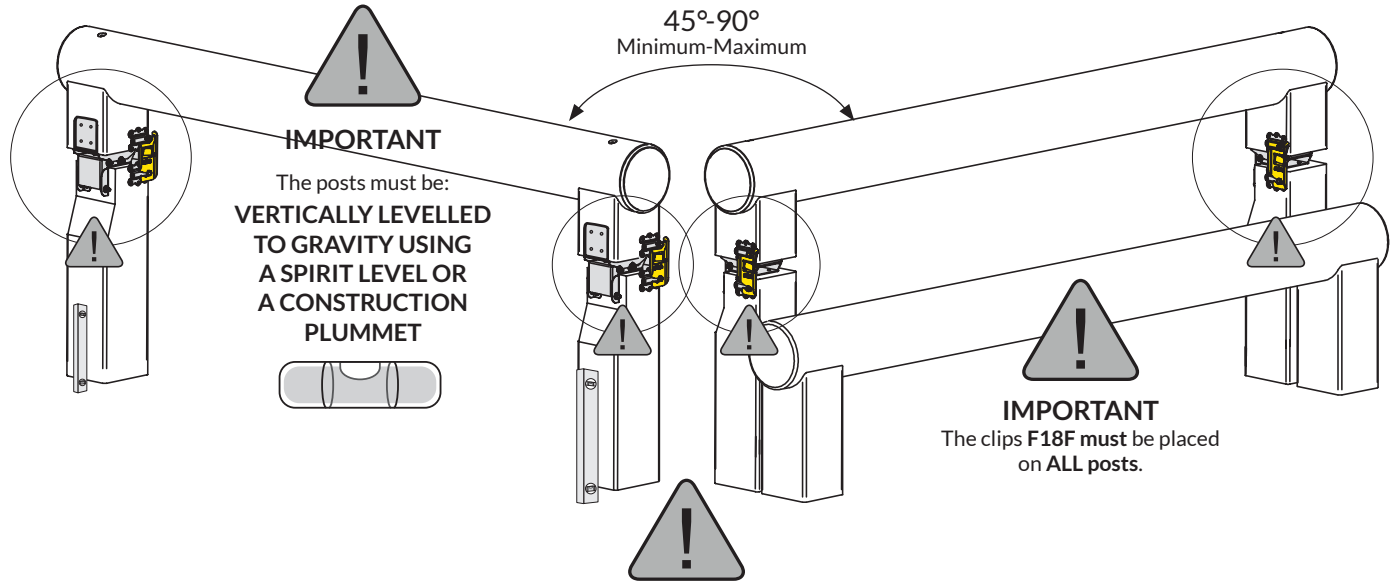
Ensure that you have all parts of the Corner Kit.

Be aware of the risk of injury when handling heavy rails, posts and the tools for mounting.

WARNING!



Jumping direction



A	00454	4x
	Part no	

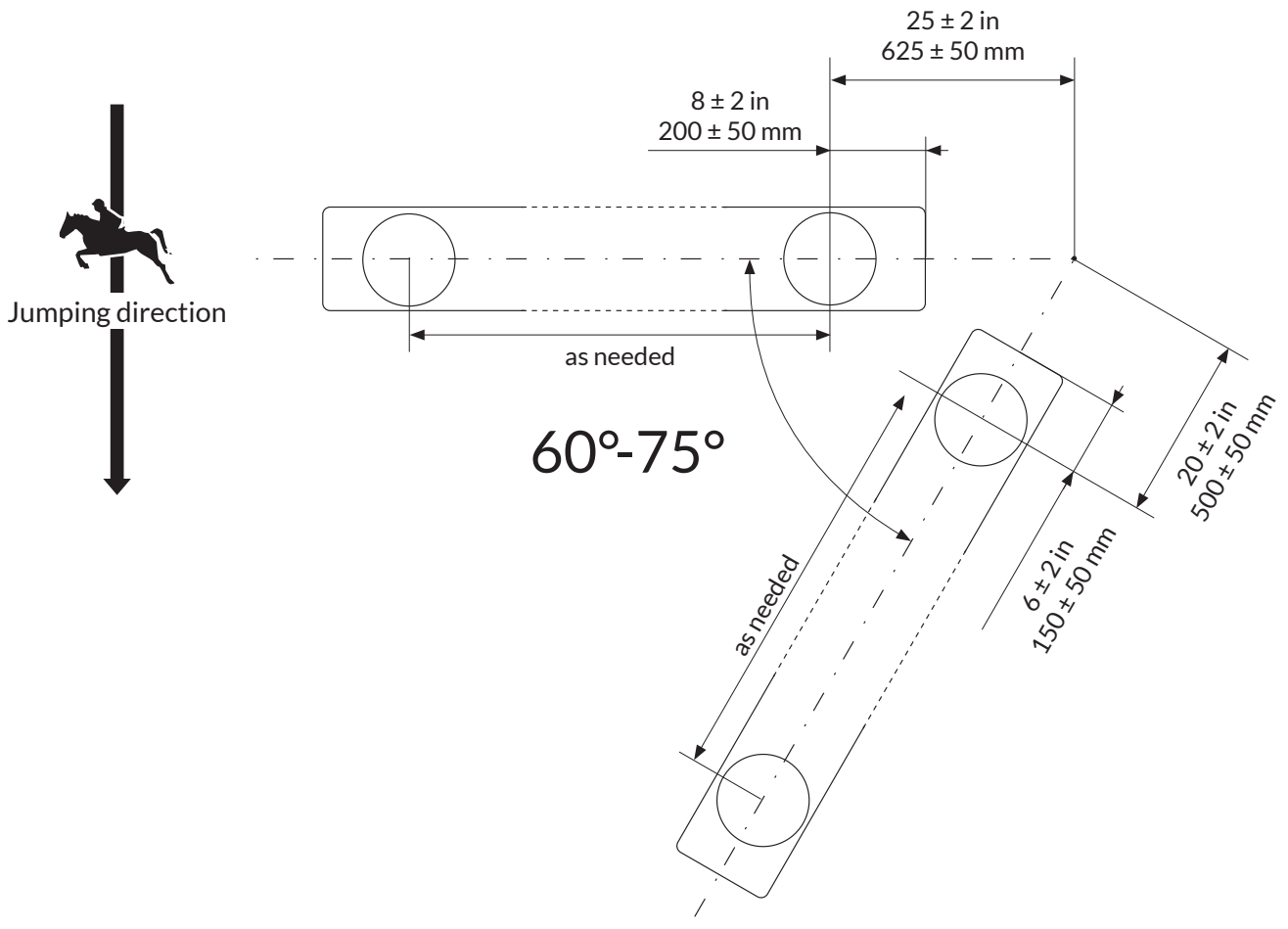
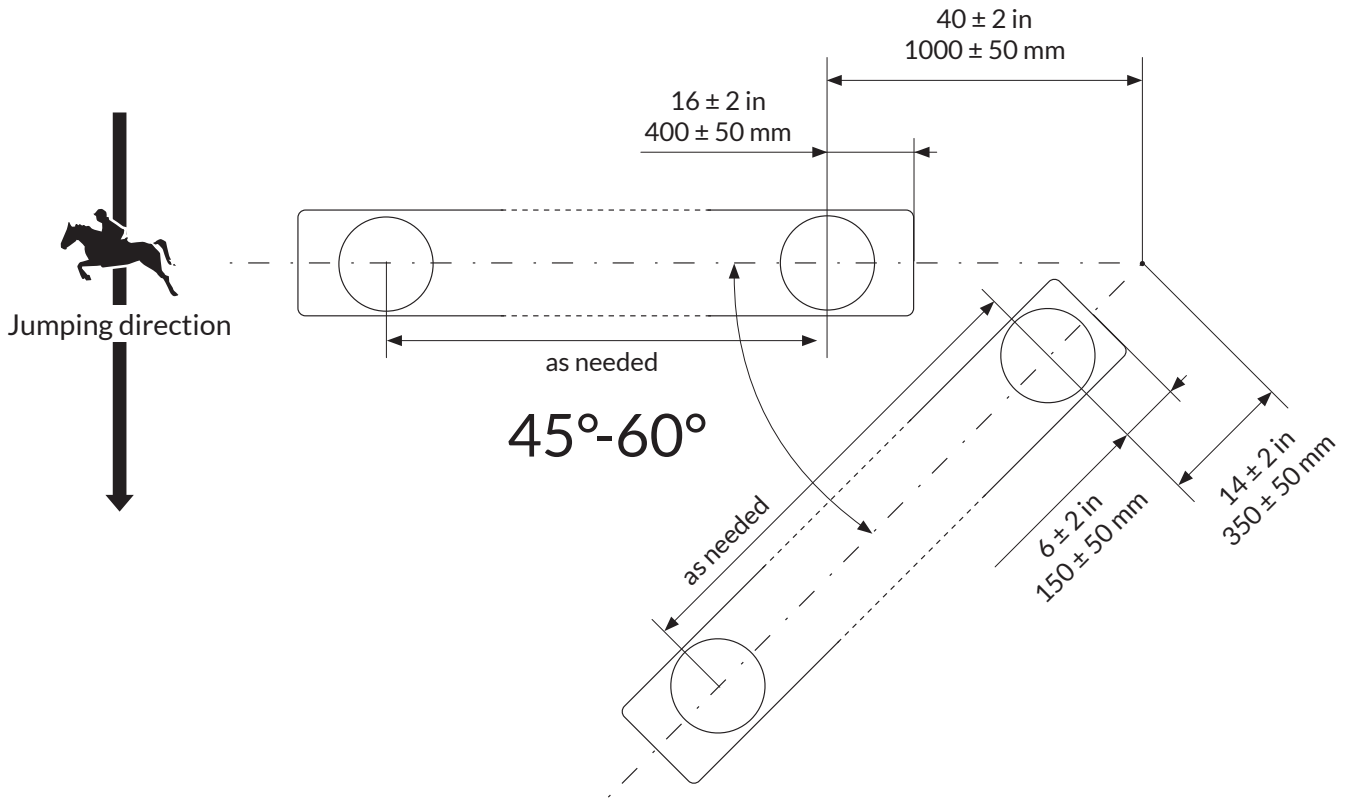
B	F70A	8x
	Part no	

C	F18F	12x
	Part no	

<p>M-TS10X90 8X</p>	<p>POST TOP SECTION 4X</p> <p>not included</p>	<p>POST BOTTOM SECTION 4X</p> <p>not included</p>	<p>RAIL 2X</p> <p>not included</p>
-------------------------	--	---	--




FENCE POSITIONING AND DIMENSIONS FOR 45° AND 60° ANGLES



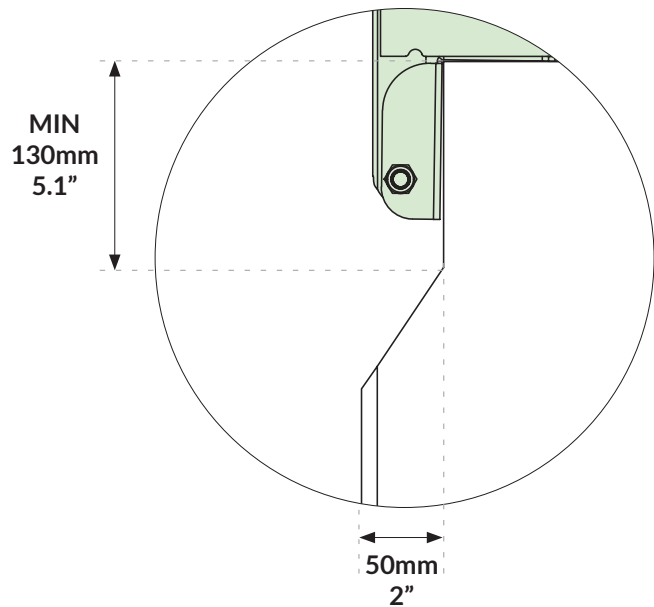
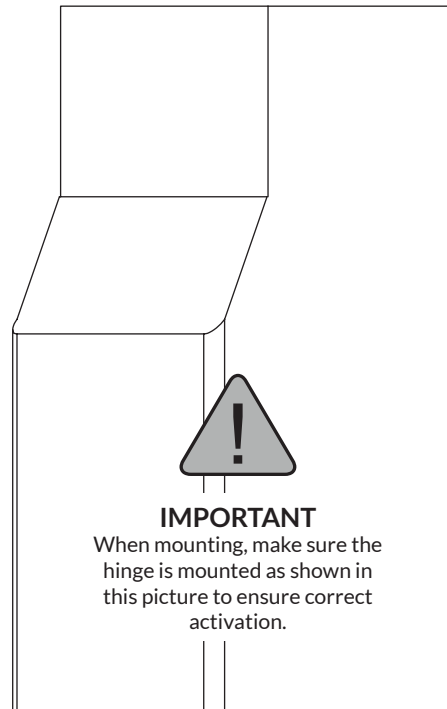
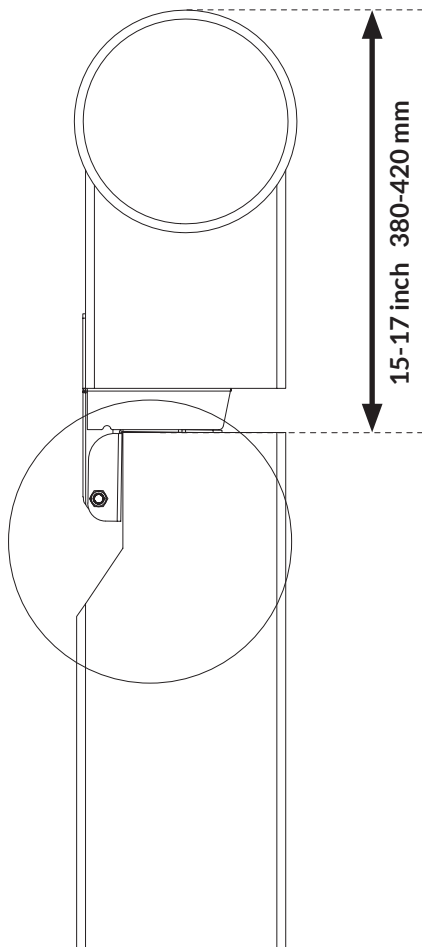
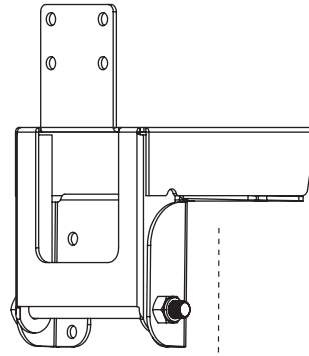
STEP
1a

Cutting guide for square posts

4X



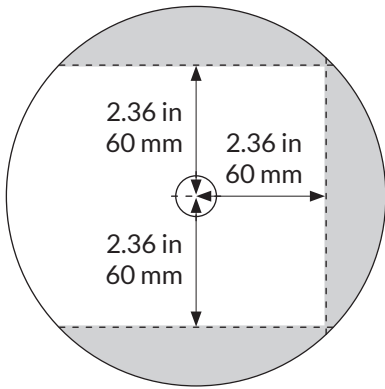
IMPORTANT
Make sure you follow these measurements for correct fence release/function



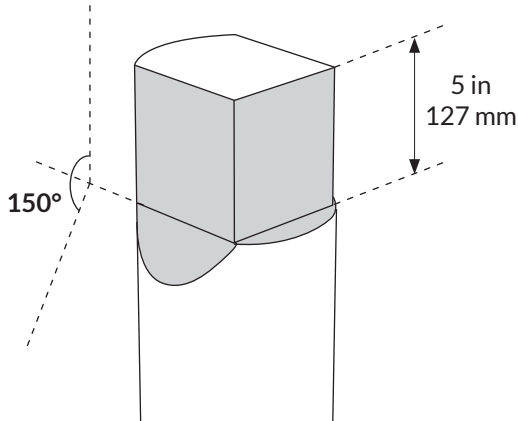
STEP
1b

Cutting guide for round posts

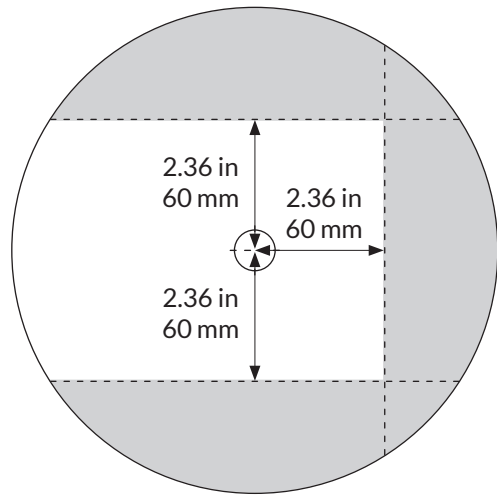
TOP VIEW



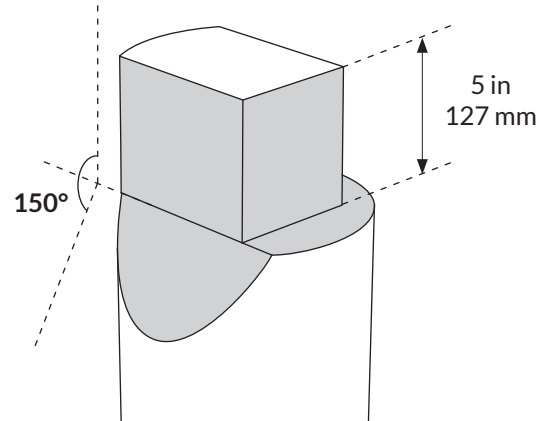
MINIMUM POST DIAMETER
7 inch / 180 mm



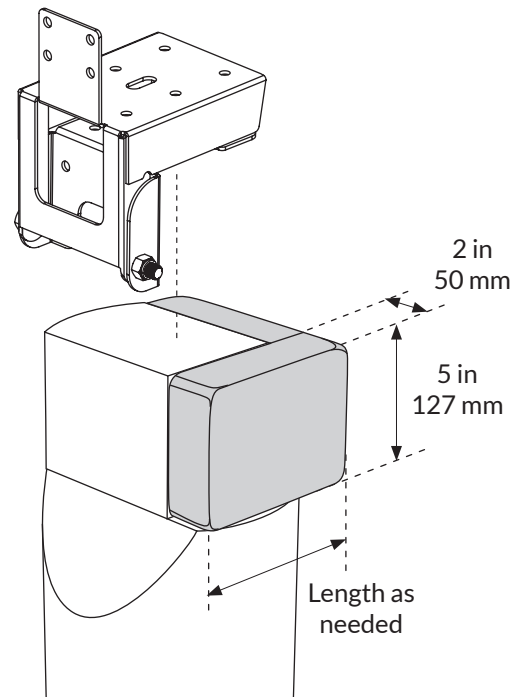
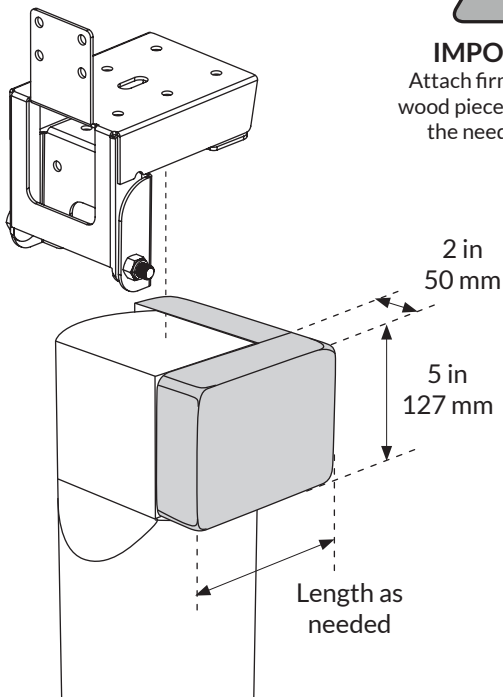
TOP VIEW



MAXIMUM POST DIAMETER
9 inch / 230 mm

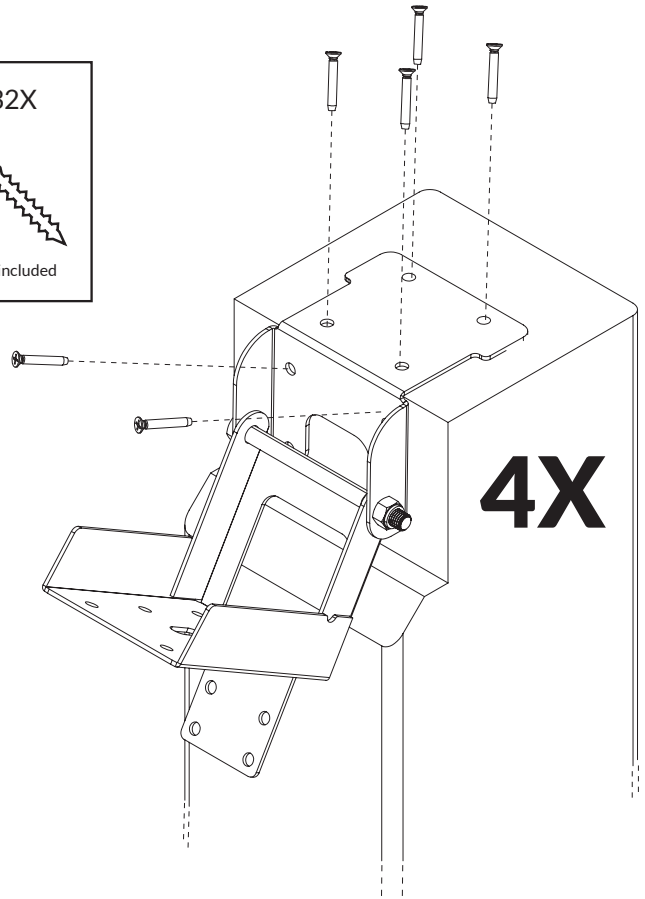
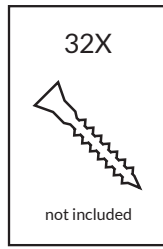
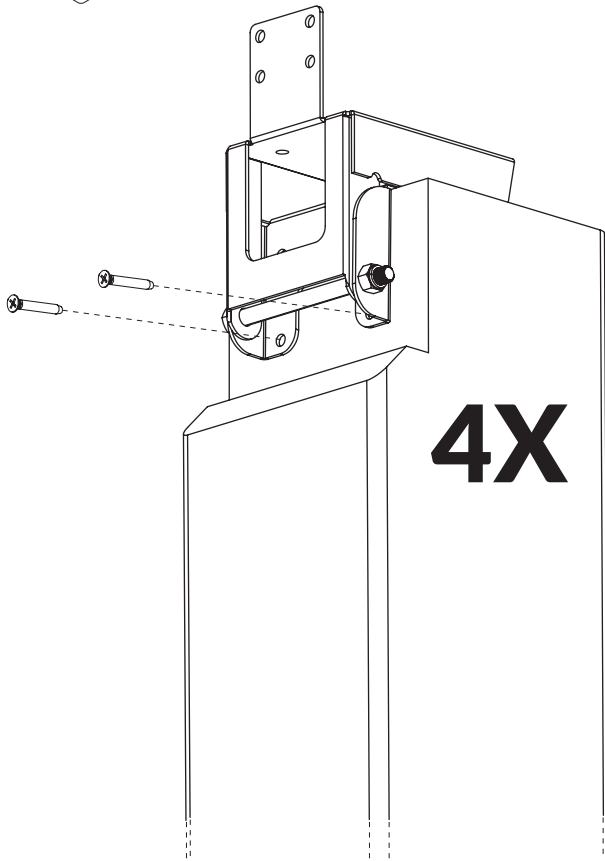


IMPORTANT
Attach firmly 2x5 inch
wood pieces as shown in
the needed length

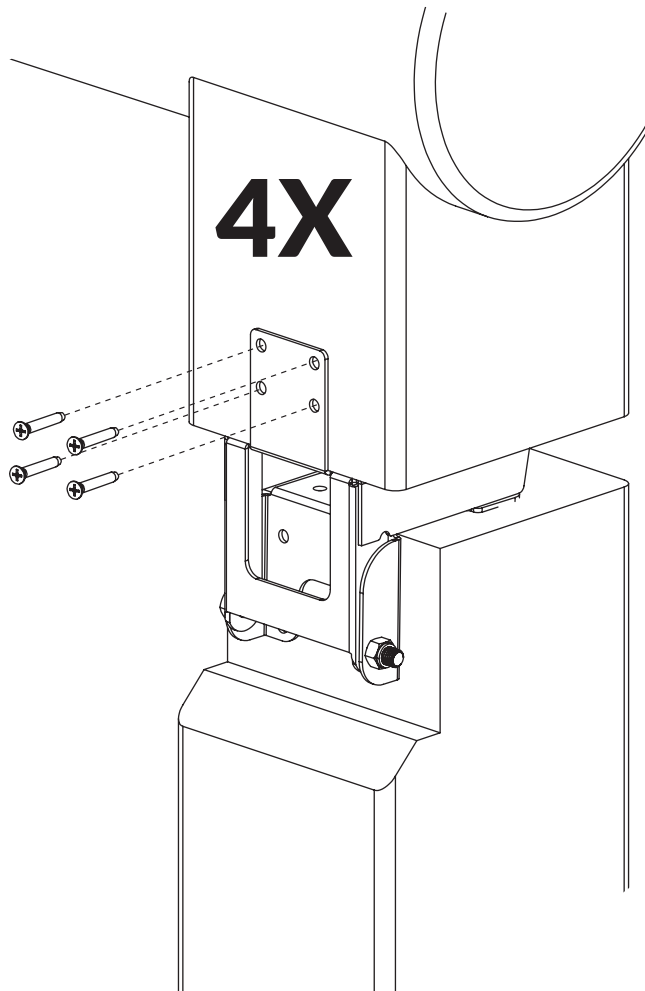
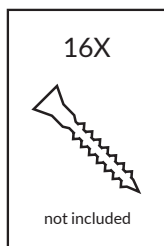


APPLY THE SAME CUTTING PATTERN TO THE TOP PARTS

STEP
2



STEP
3



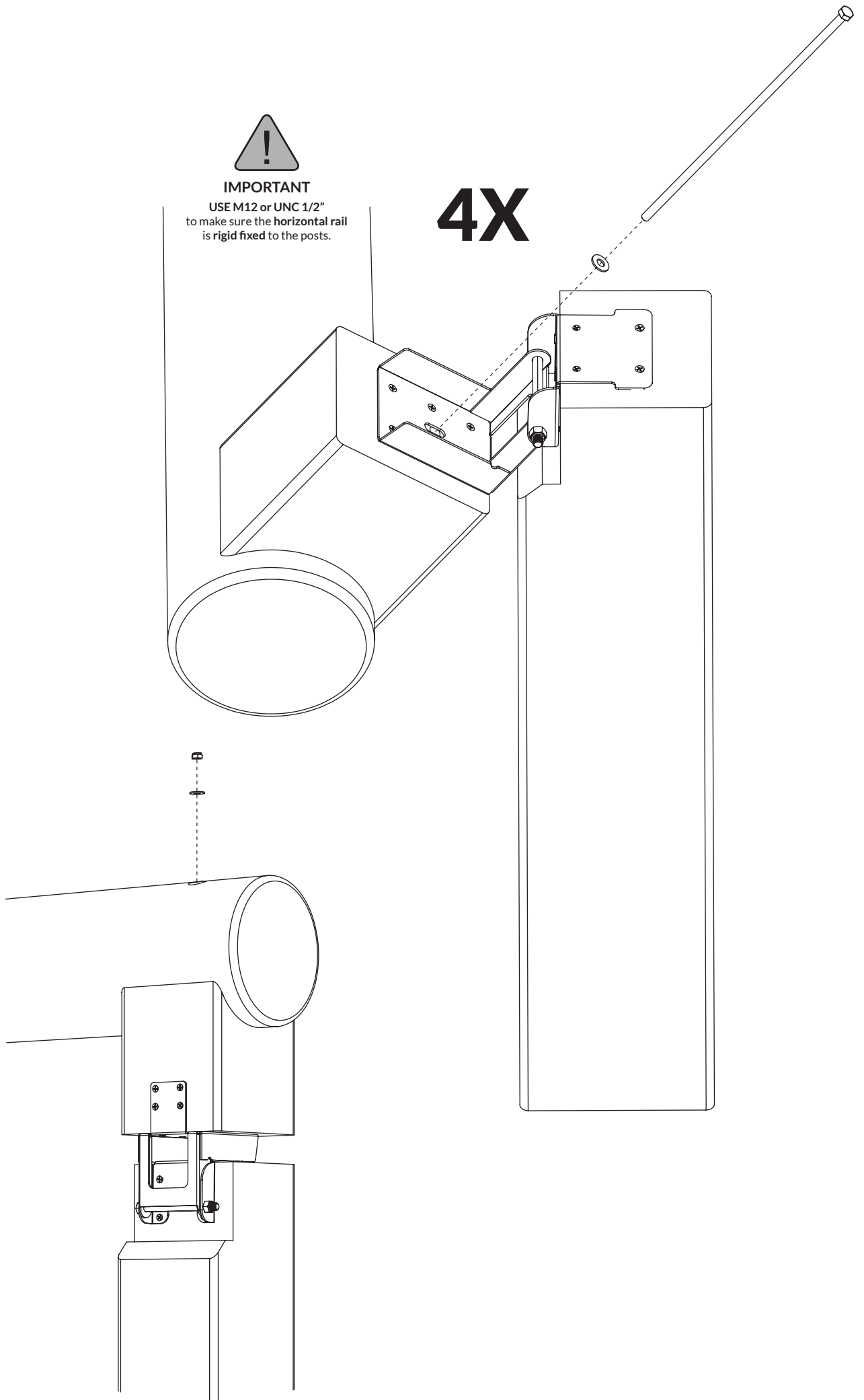
STEP
4



IMPORTANT

USE M12 or UNC 1/2"
to make sure the horizontal rail
is rigid fixed to the posts.

4X

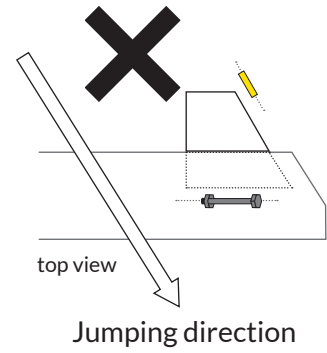


STEP
5

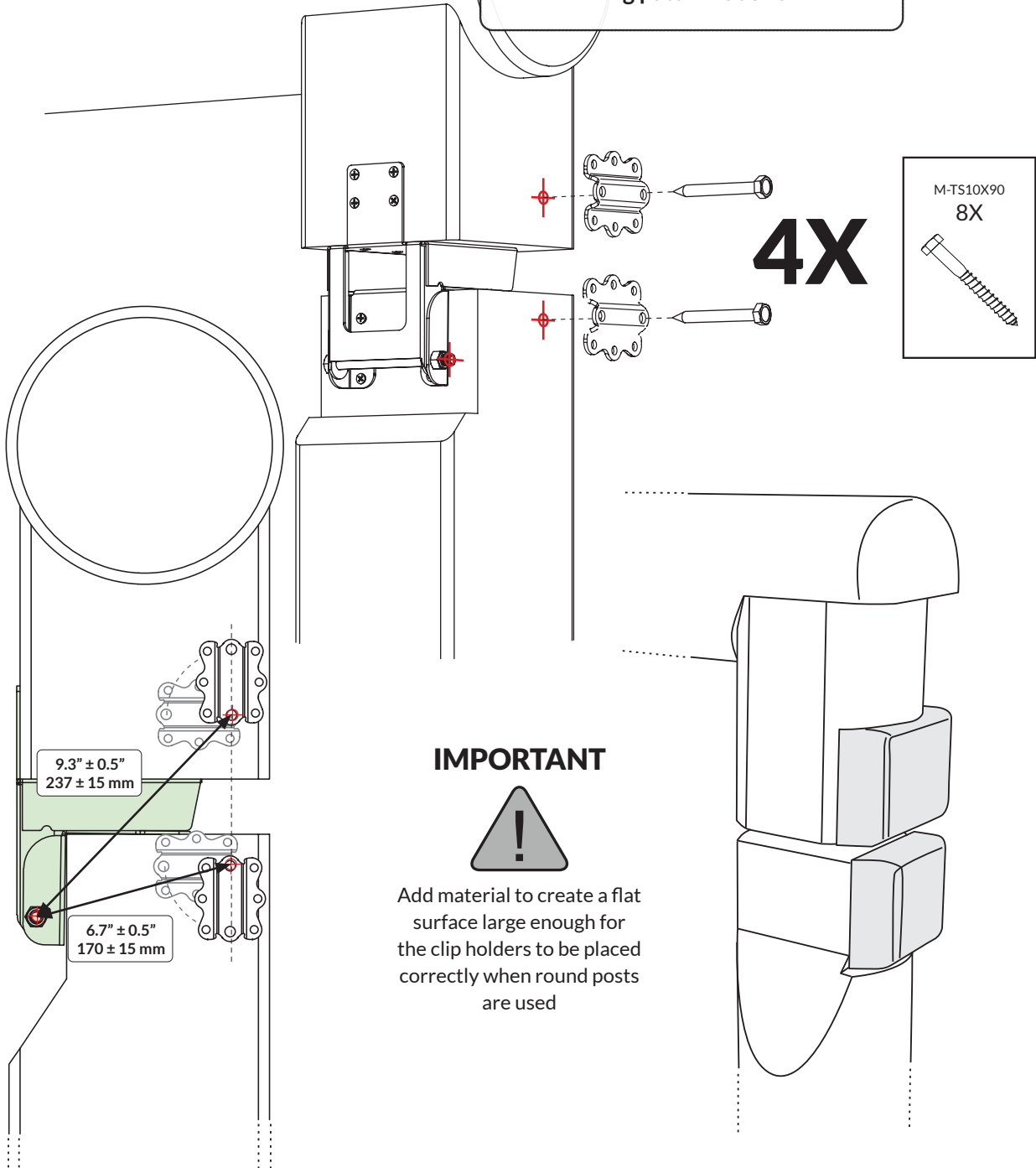
CORRECT alignment of the clip



WRONG alignment of the clip



IMPORTANT
USE
Drilling pattern 80326-DP

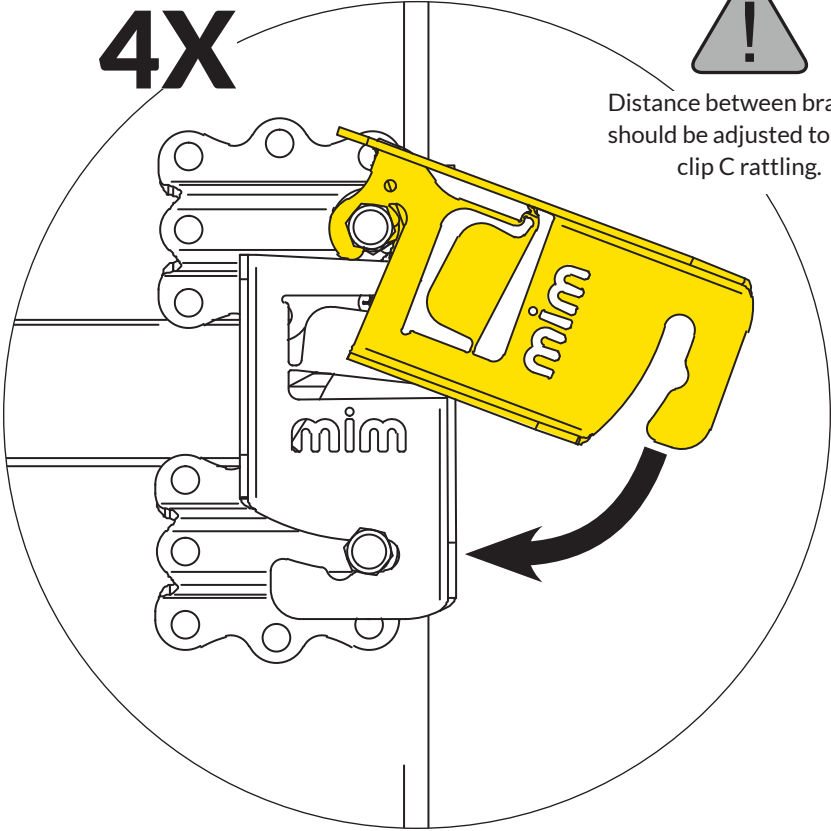


STEP
6

IMPORTANT

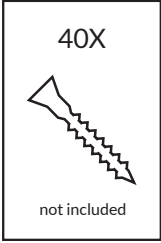
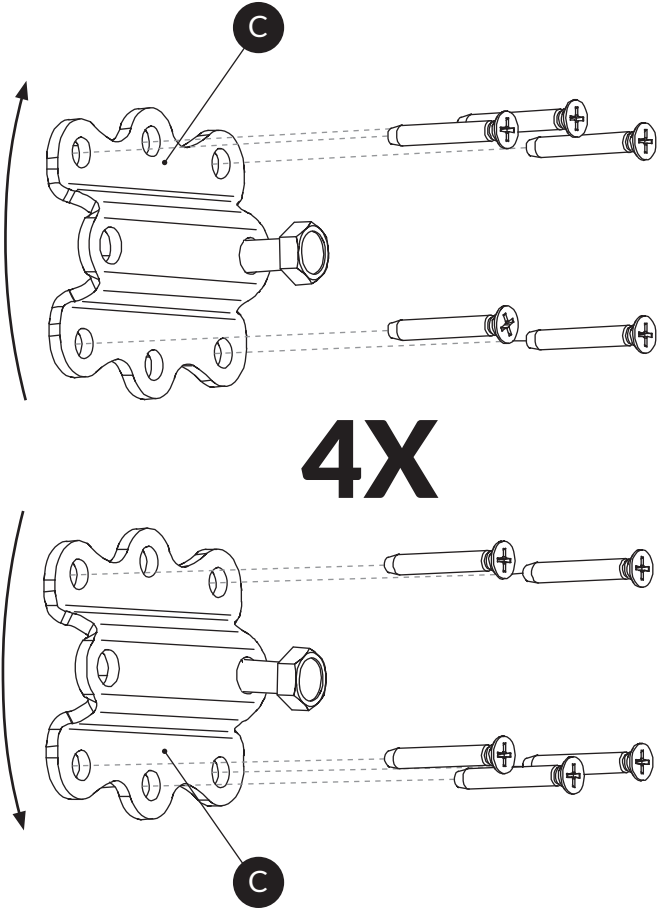


Distance between brackets
should be adjusted to avoid
clip C rattling.

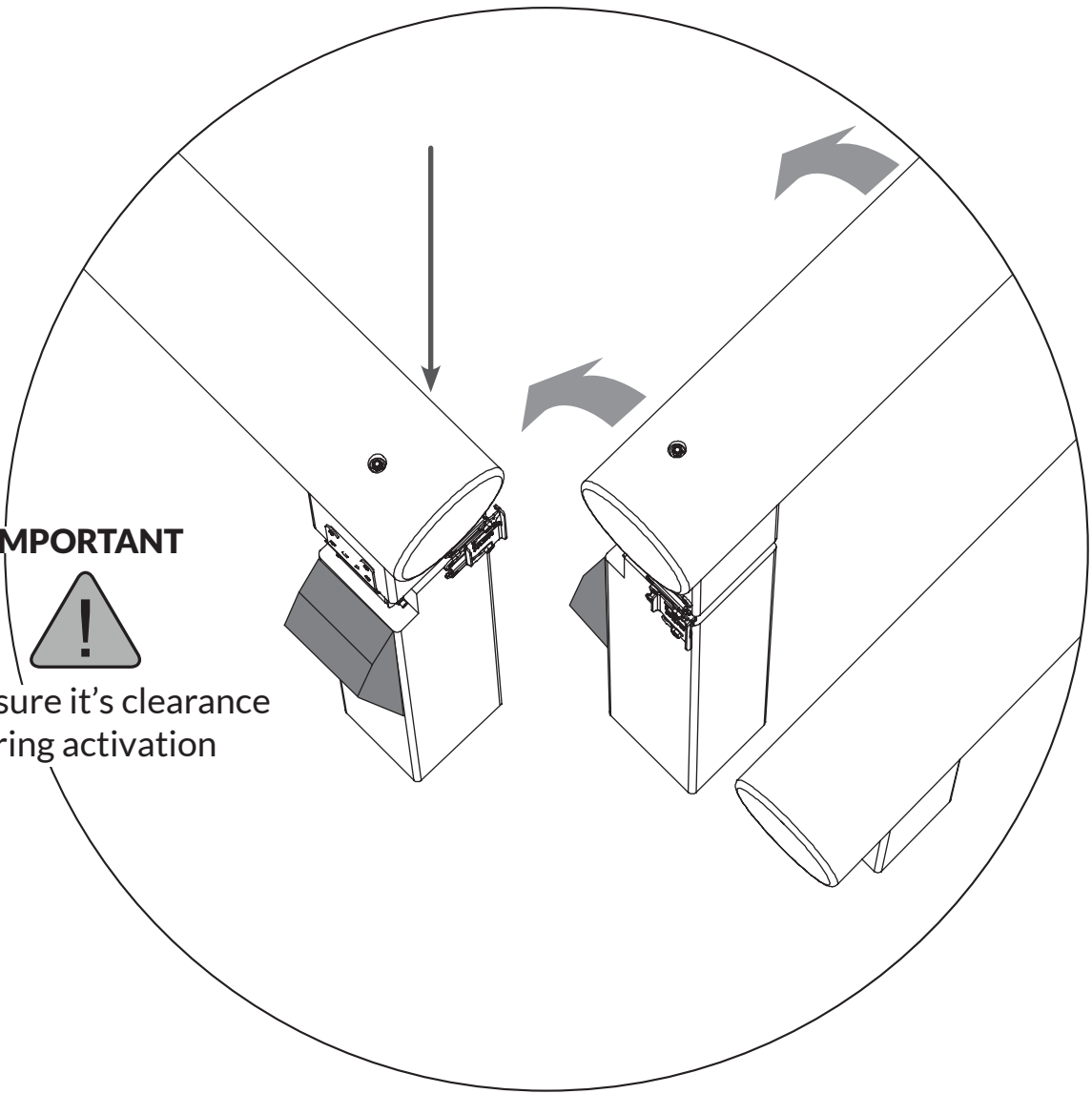


STEP
7

Rotate the pieces C
around the bolt's position
if necessary



STEP
8



IMPORTANT



Make sure it's clearance during activation

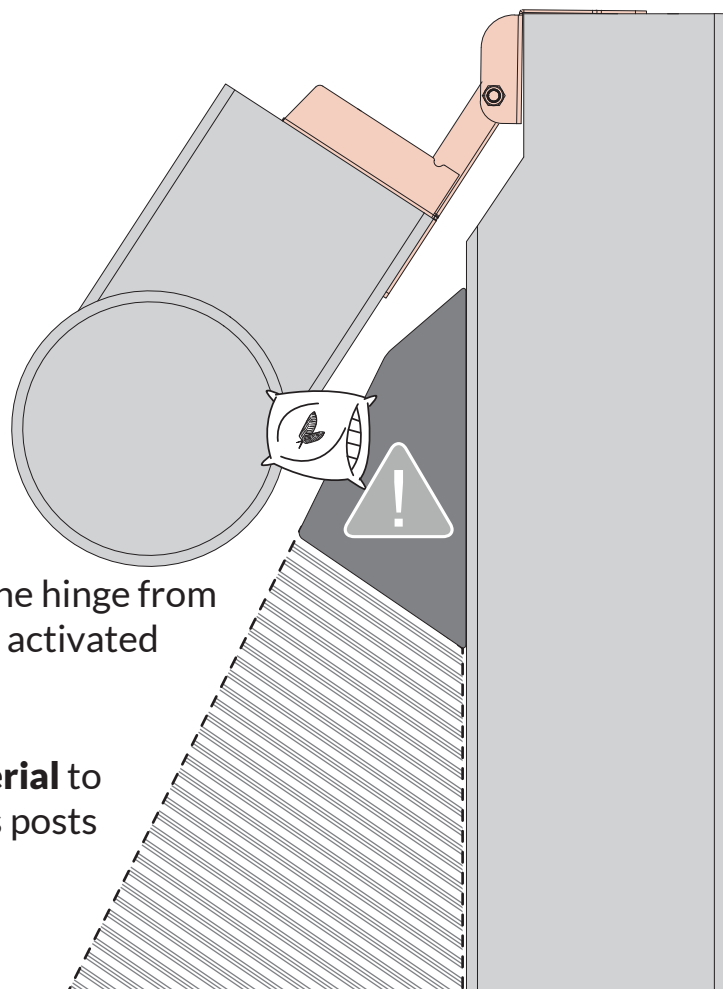
IMPORTANT



Add **stopping material** to avoid the hinge from hitting the fence's posts when activated

OPTIONAL

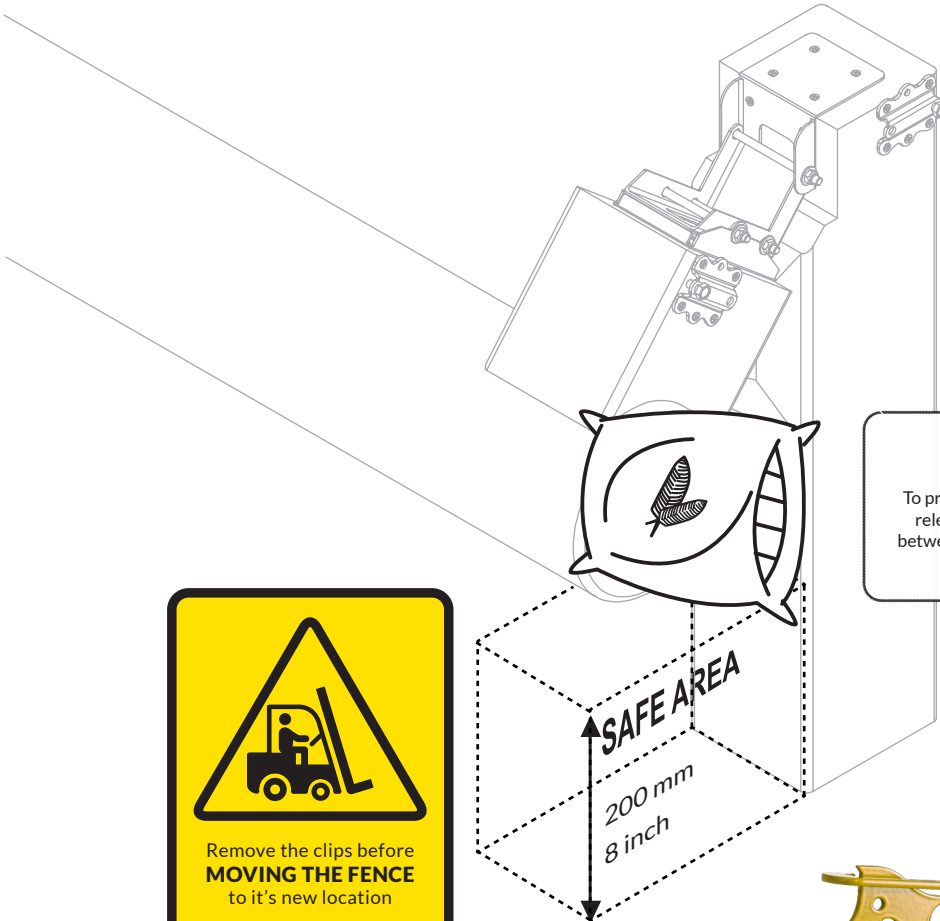
Extend the **stopping material** to add stability to the fence's posts





IMPORTANT

When top section is released the distance between top section and ground should be **minimum 200 mm**.
If distance between ground and top section is less, then place an object which will prevent the top section falling into the **SAFE AREA**



WARNING

To protect the fence mechanism when released, put a dampening material between the safe area and the released part of the fence.



The flag is bent when fatigued.

The advantages of the Corner Kit

1. It has been produced with safety being the first and foremost important factor.
2. Reduces the possibility of rotational falls.
3. FEI approved number FEI15SWE.
4. Controlled movement of fence during release.
5. Reconstruction time is less than 30 seconds.
6. The parts are made of powder coated steel and can be left outside, no maintenance is required.
7. The very highest quality of product from Sweden ISO 9001.

The advantages of the MIMclip

The MIMclip (F18F) breaks on impact. The flag is bent when the clip is exposed to fatigue. In both cases the clip must be replaced. The top section is connected to the post with a hinge that makes the fence easy to reconstruct. This saves time, guarantees fair and correct judging for riders and contributes to the overall safety of the sport.