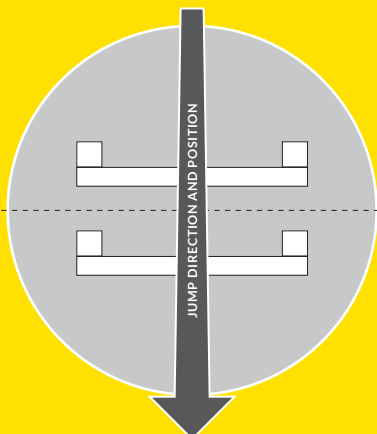
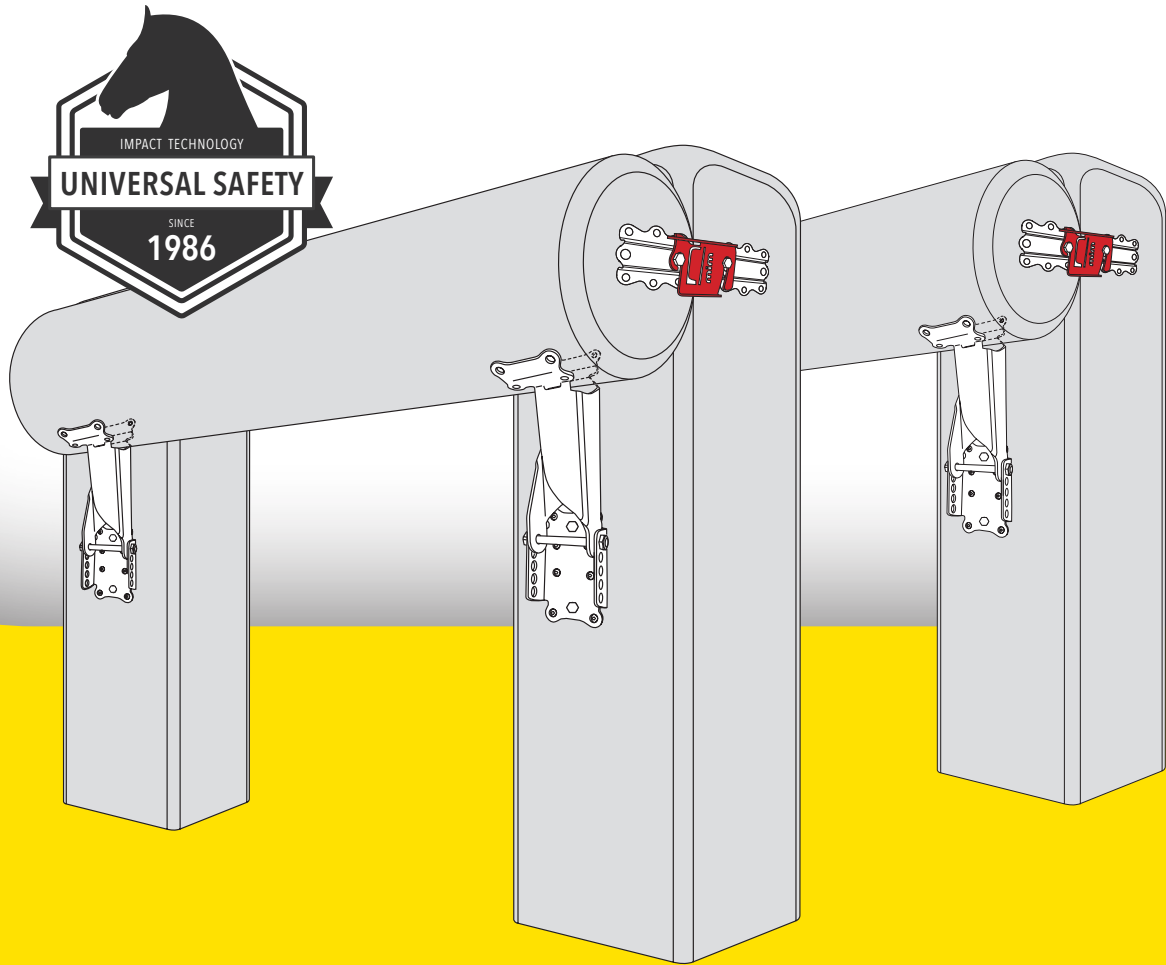


Oxer Kit - 80329

mimSAFE

mimclip.mimsafe.com



ASSEMBLY AND OPERATION INSTRUCTIONS

OXER KIT

MIMCLIP SYSTEM


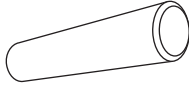



APPROVED

INFORMATION ABOUT THE OXER KIT

The Oxer Kit has been designed and developed specifically to greatly reduce the risk of rotational falls. The most important element of this kit is that it will not break the fence or

risk injury to the horse if hit vertically. The rail is only released when impacted horizontally by the horse. The risk of a resulting rotational fall is thus reduced.

| FENCE DIMENSIONS | | | | | | | | | |
|---|---|-----------|-----------|----------|---|--------|------|-----------|----|
| POST  | RAIL  | | | | | | | | |
| MIN-MAX SIZE | MIN-MAX DIAMETER | | | | | | | | |
| <table border="1"><tr><td>6 - 10</td><td>inch</td></tr><tr><td>150 - 250</td><td>mm</td></tr></table> | 6 - 10 | inch | 150 - 250 | mm | <table border="1"><tr><td>8 - 12</td><td>inch</td></tr><tr><td>200 - 300</td><td>mm</td></tr></table> | 8 - 12 | inch | 200 - 300 | mm |
| 6 - 10 | inch | | | | | | | | |
| 150 - 250 | mm | | | | | | | | |
| 8 - 12 | inch | | | | | | | | |
| 200 - 300 | mm | | | | | | | | |
|  | MAXIMUM LENGTH | | | | | | | | |
| MIN-MAX SIZE | <table border="1"><tr><td>13.1</td><td>ft</td></tr><tr><td>4000</td><td>mm</td></tr></table> | 13.1 | ft | 4000 | mm | | | | |
| 13.1 | ft | | | | | | | | |
| 4000 | mm | | | | | | | | |
| <table border="1"><tr><td>6 - 10</td><td>inch</td></tr><tr><td>150 - 250</td><td>mm</td></tr></table> | 6 - 10 | inch | 150 - 250 | mm | MIN-MAX WEIGHT | | | | |
| 6 - 10 | inch | | | | | | | | |
| 150 - 250 | mm | | | | | | | | |
| | <table border="1"><tr><td>110 - 265</td><td>lb</td></tr><tr><td>50 - 120</td><td>kg</td></tr></table> | 110 - 265 | lb | 50 - 120 | kg | | | | |
| 110 - 265 | lb | | | | | | | | |
| 50 - 120 | kg | | | | | | | | |

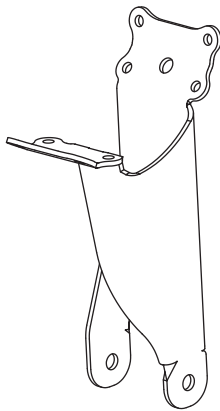
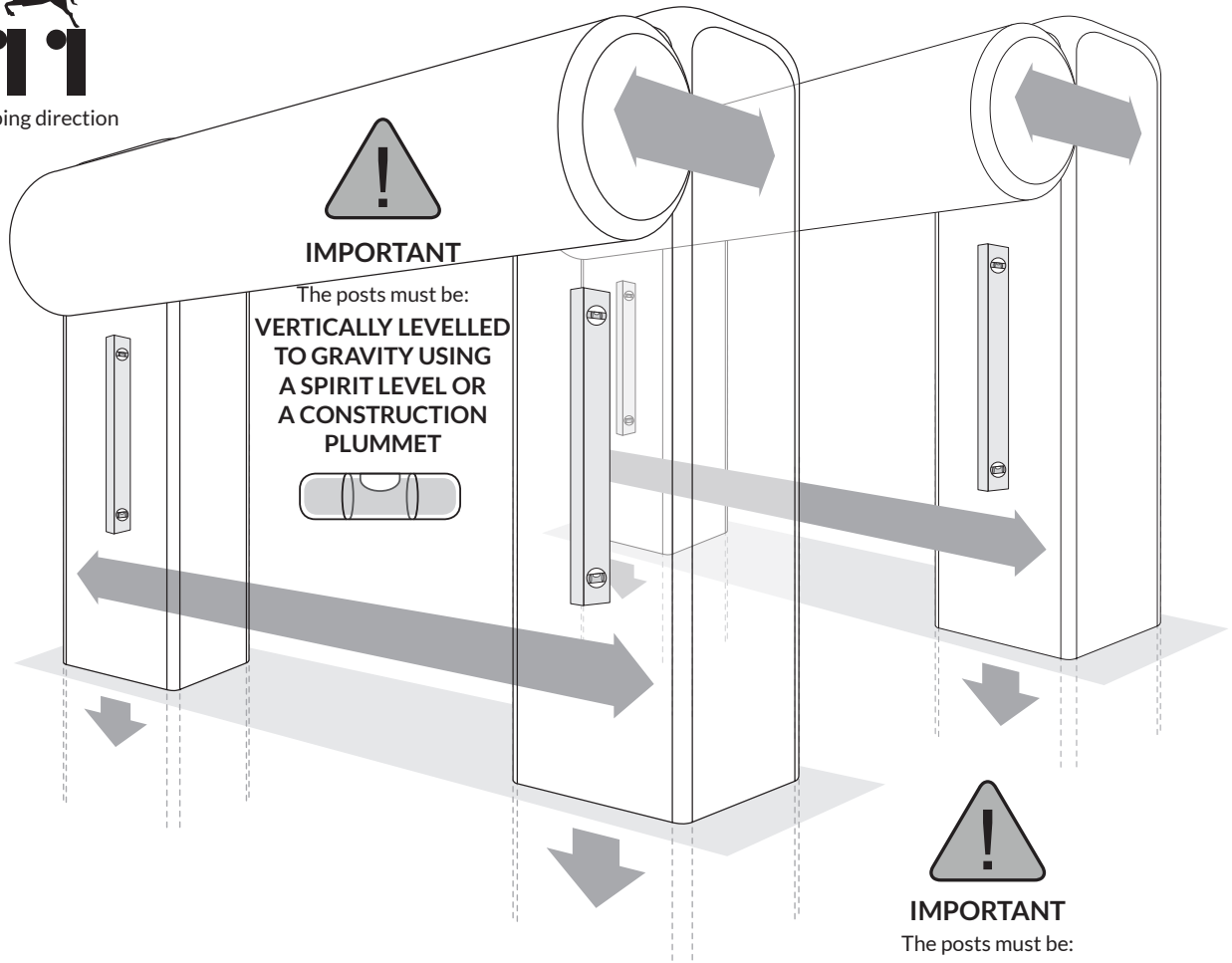


It is essential to follow the recommended dimensions on the fence for the correct function. If the recommended procedure is not correctly followed it may cause the failure of the device.

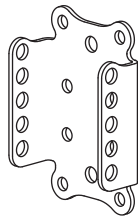
For your own safety and that of others please note the following step by step advice for correct preparation and installation. It is important to ensure that you follow your own health and safety requirements when constructing this kit.

Ensure that you have all parts of the Oxer Kit.
Be aware of the risk of injury when handling heavy rails, posts and the tools for mounting.

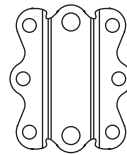
WARNING!



A F65 4x
Part no



B F64A5 4x
Part no



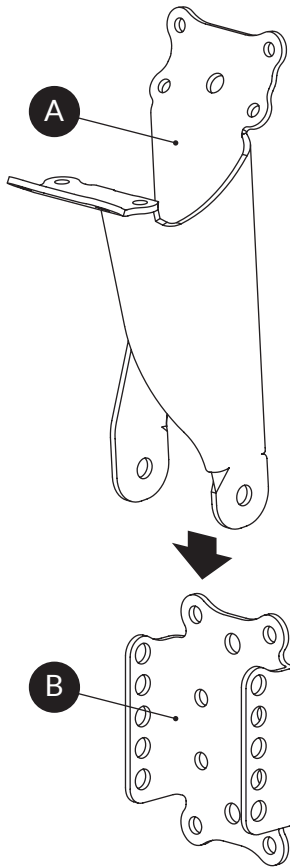
C F70A 8x
Part no






D F18C 12x
Part no

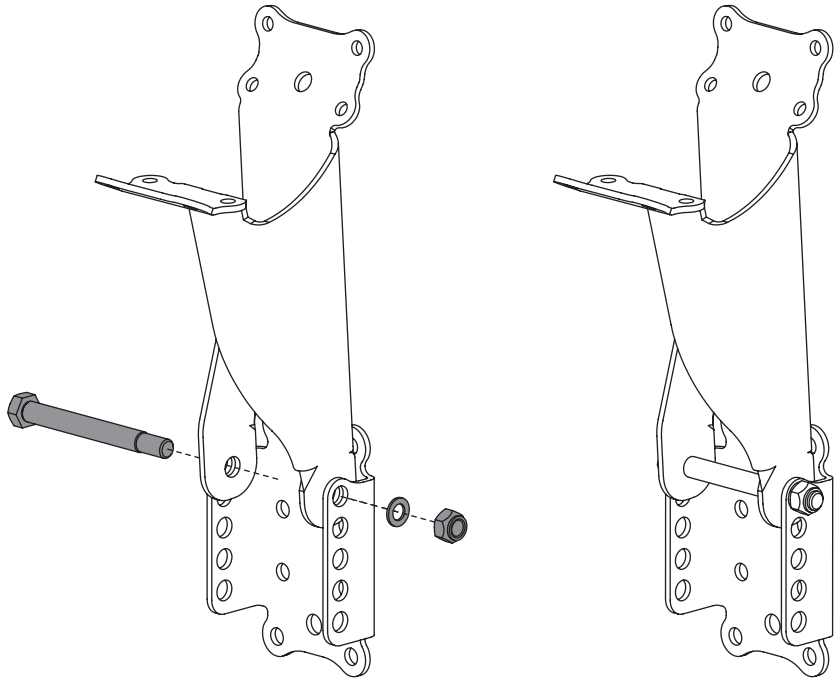
| | | | | | |
|--------------------------|----------------------------|------------------------|-------------------------|--|--|
| <p>M-SM12x120 4X</p> | <p>M-BR12x22x2s 4X</p> | <p>M-MM12Ny 4X</p> | <p>M-TS10X90 8X</p> | <p>POST 4X</p> <p>not included</p> | <p>RAIL 2X</p> <p>not included</p> |
|--------------------------|----------------------------|------------------------|-------------------------|--|--|

STEP
1



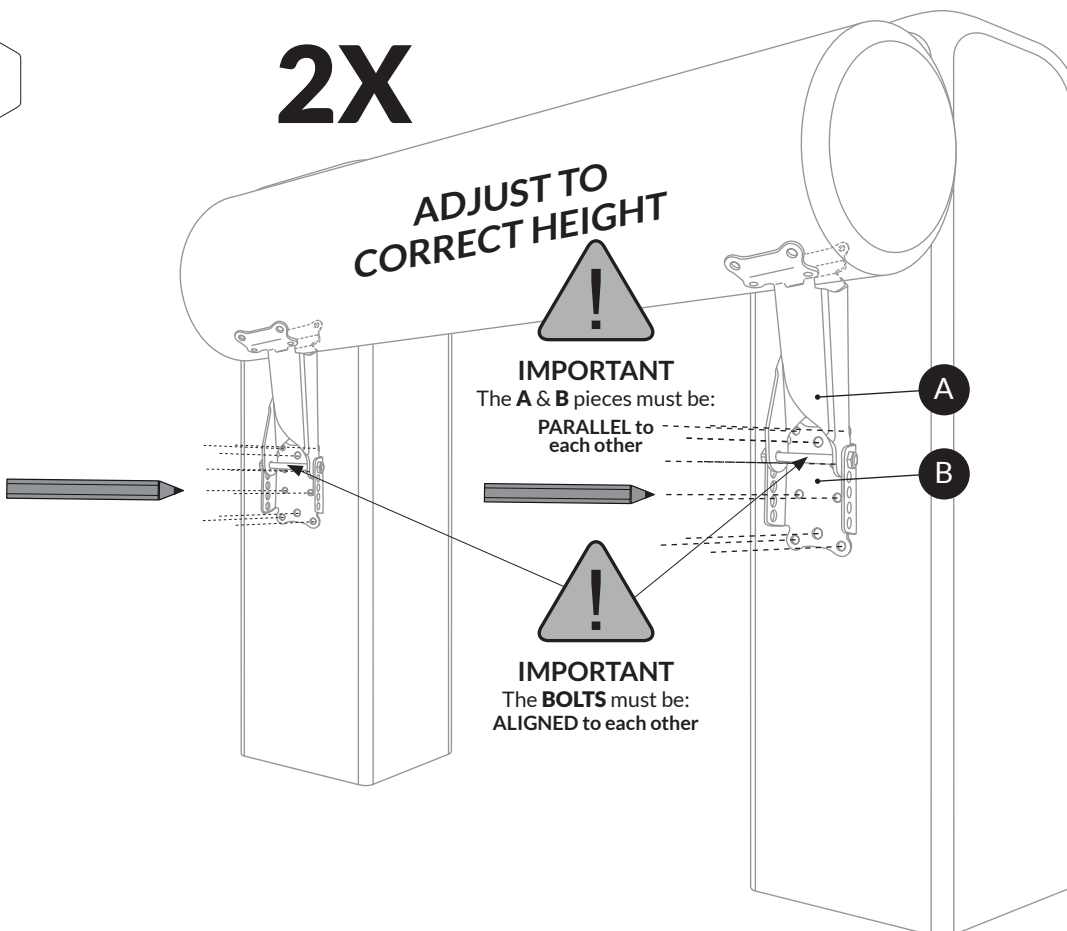
4X

| | | |
|---|---|---|
| M-SM12x120 4X | M-BR12x22x2s 4X | M-MM12Ny 4X |
|  |  |  |

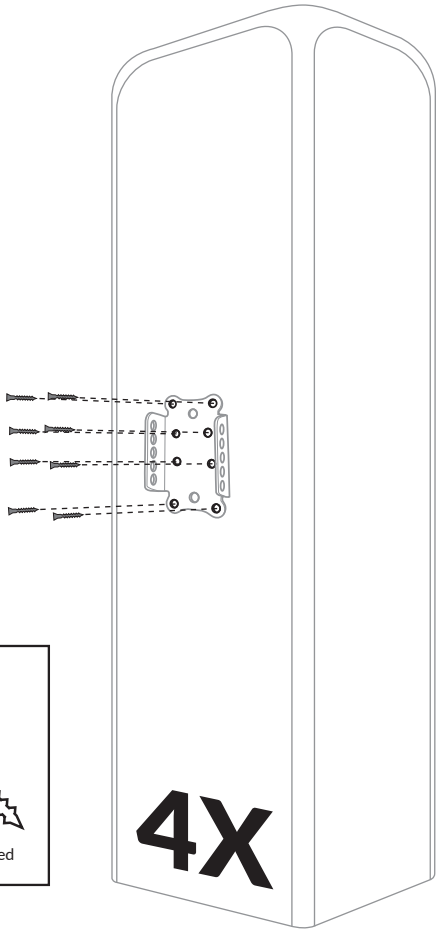


STEP
2

2X

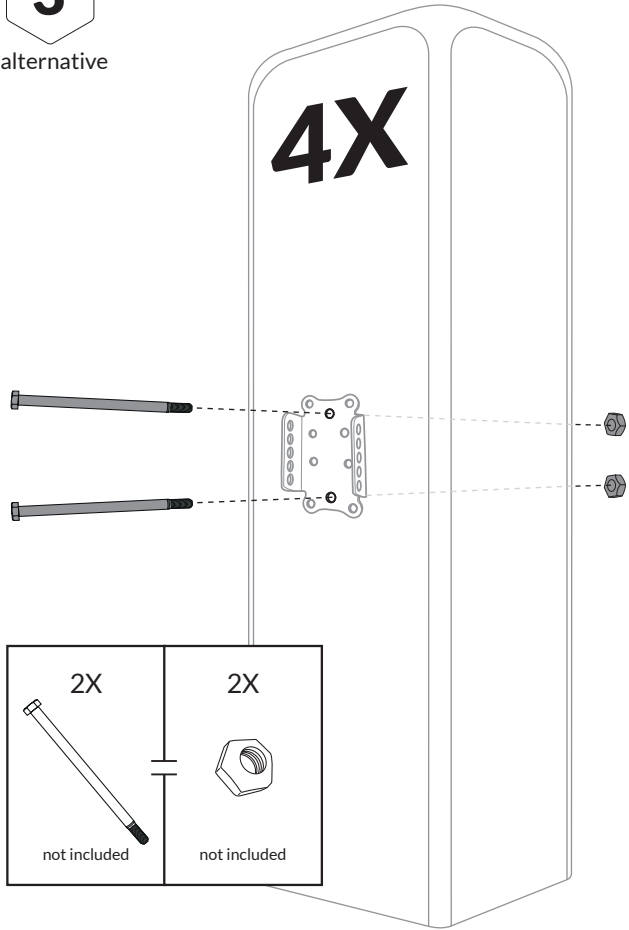


STEP
3

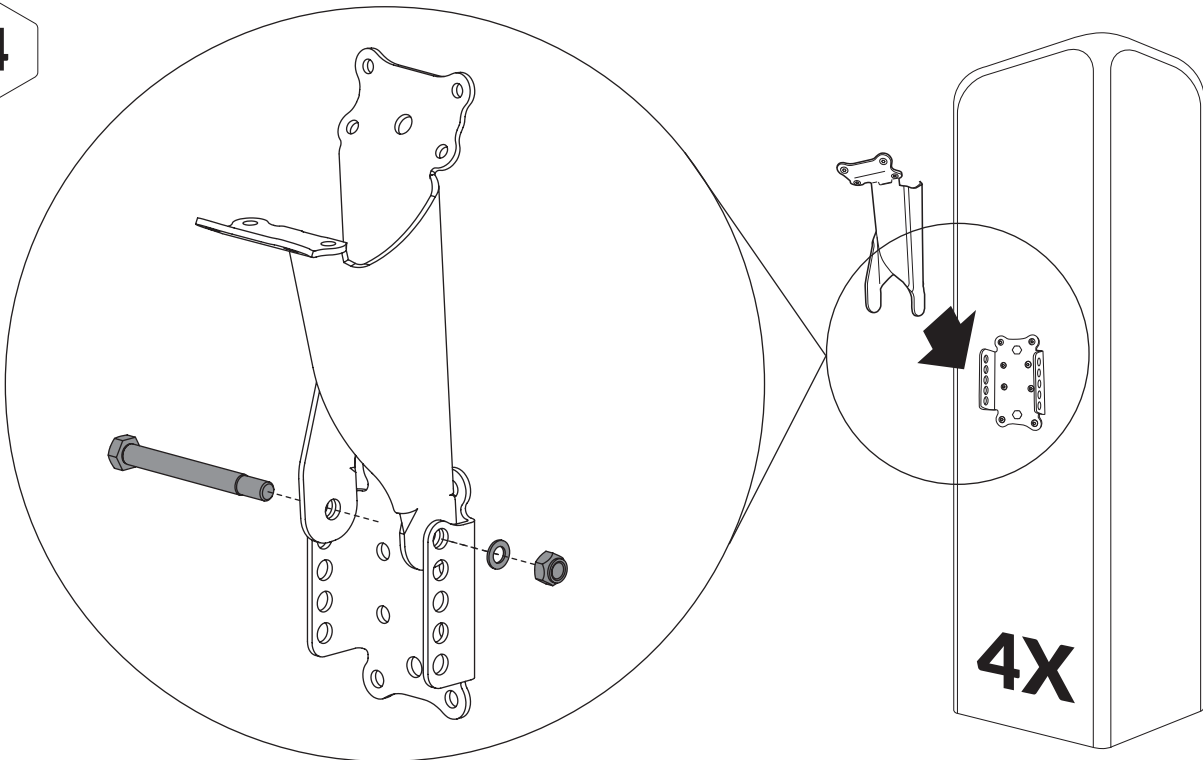


STEP
3*

*alternative

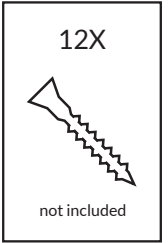
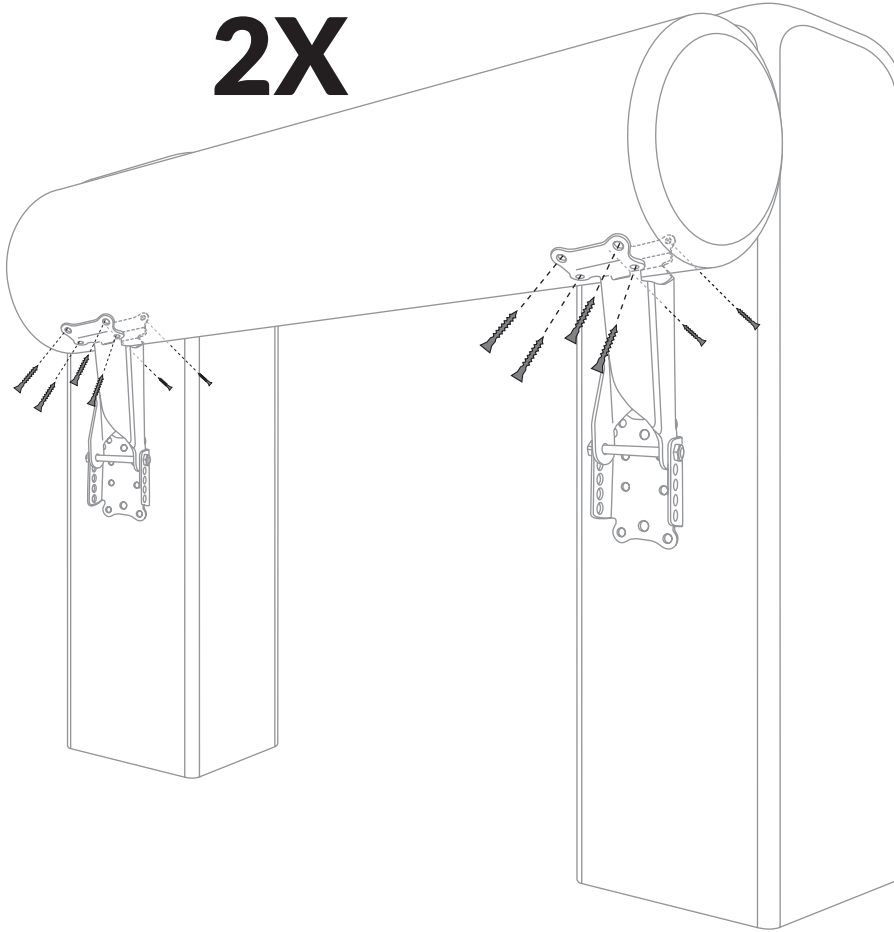


STEP
4



STEP
5

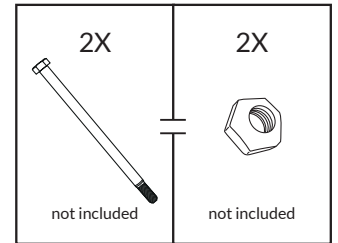
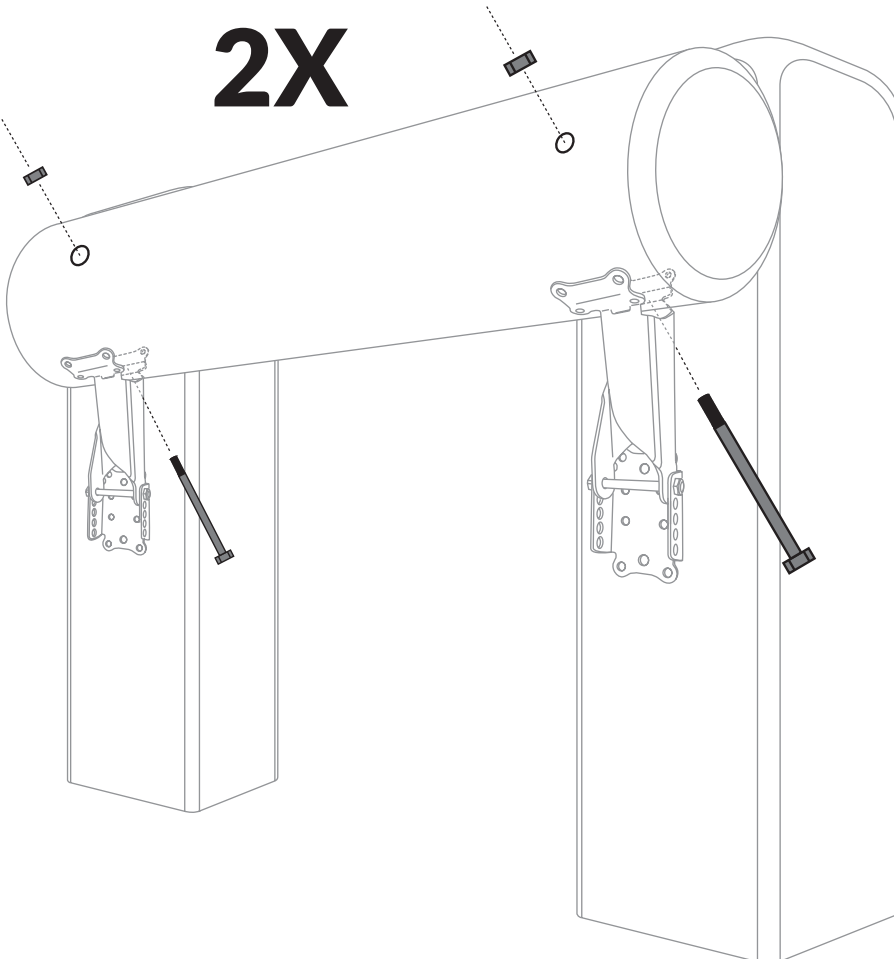
2X



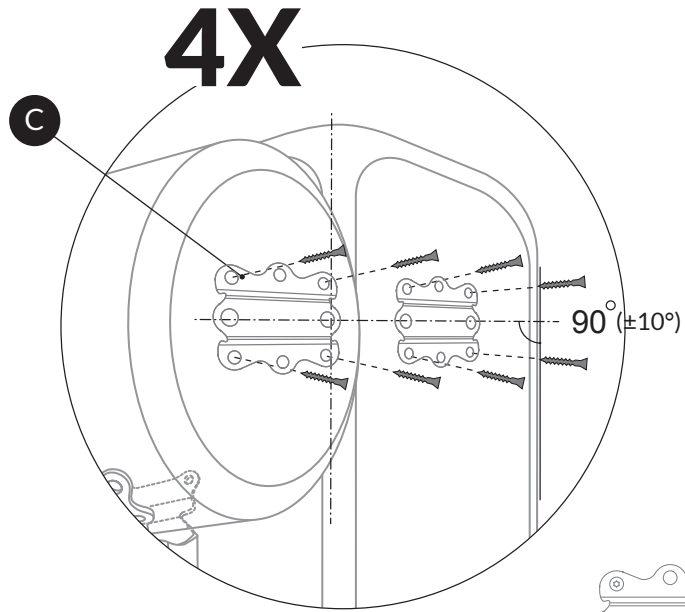
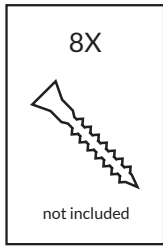
STEP
5*

*alternative

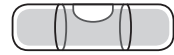
2X



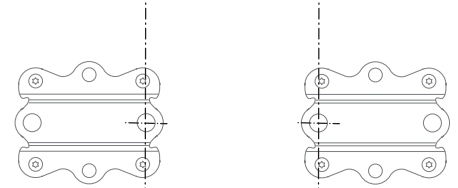
STEP
6



The **C** pieces must be:

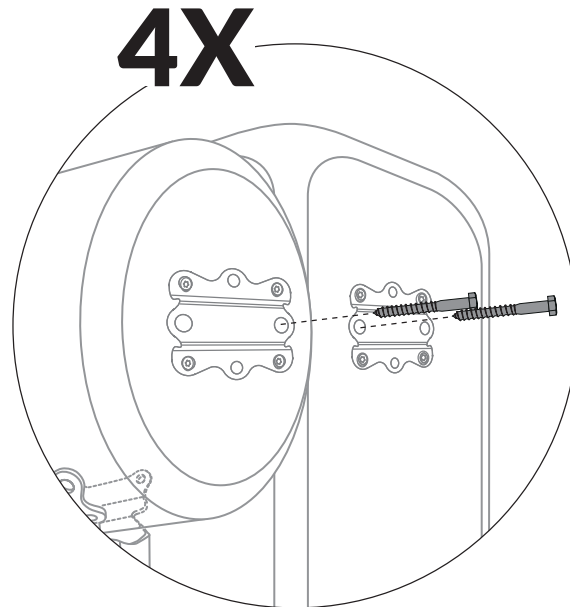
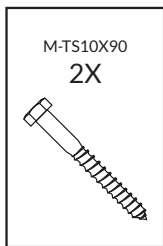


**PARALLEL AND
HORIZONTALLY LEVELLED**



DISTANCE BETWEEN
C PIECES

STEP
7



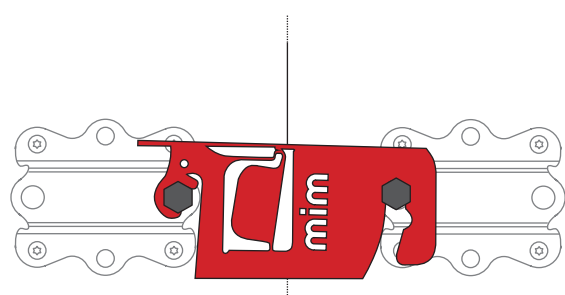
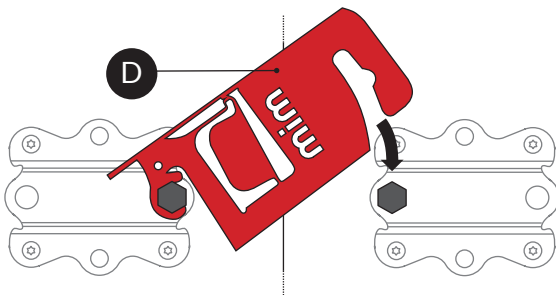
The **C** pieces must be:

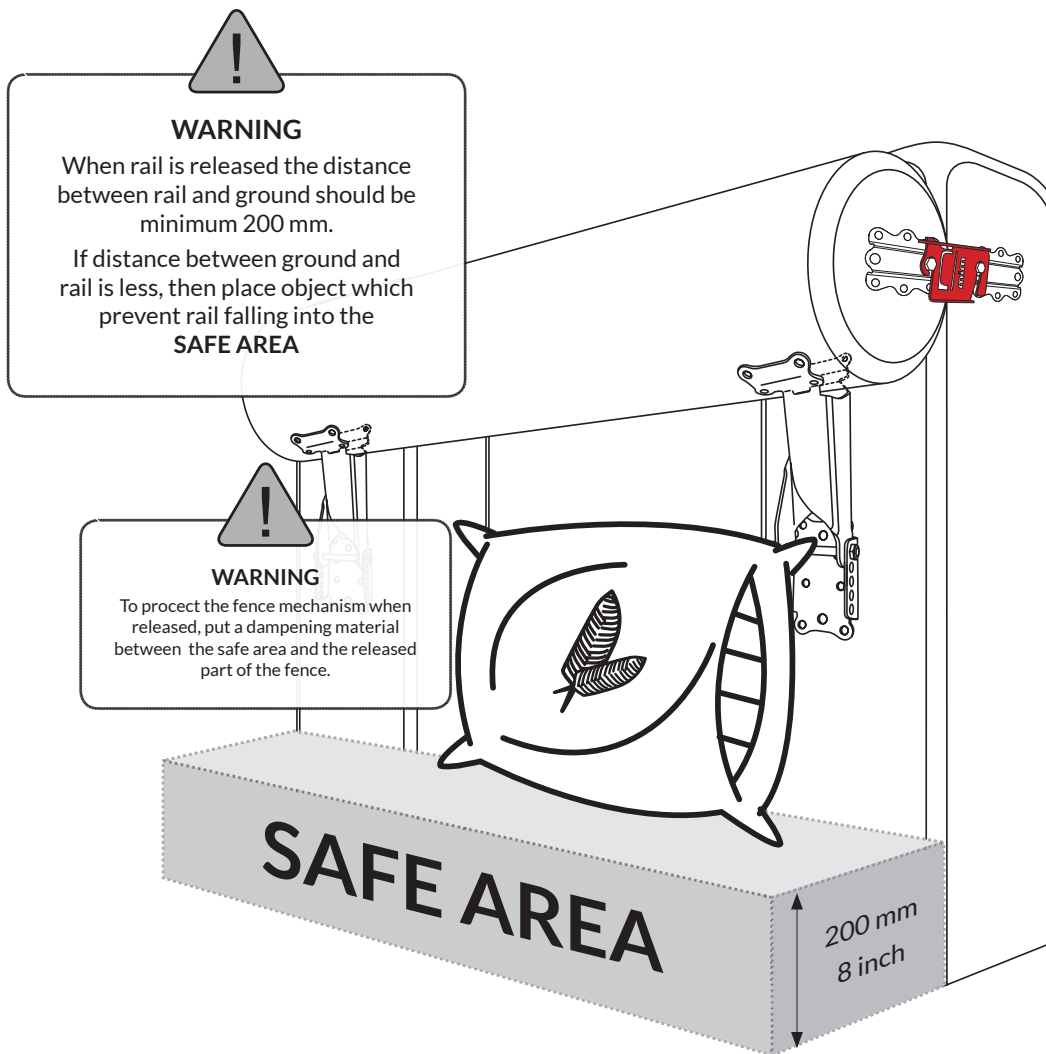


**PARALLEL AND
HORIZONTALLY LEVELLED**

STEP
8

4X





The advantages of the Oxer Kit

1. It has been produced with safety being the first and foremost important factor.
2. Reduces the possibility of rotational falls.
3. FEI approved number FEI09SWE.
4. Controlled movement of fence during release.
5. Reconstruction time is less than 30 seconds.
6. The parts are made of powder coated steel and can be left outside, no maintenance is required.
7. The very highest quality of product from Sweden.

The advantages of the MIMclip

The MIMclip (F18C) breaks on impact. The flag is bent when the clip is exposed to fatigue. In both cases the clip must be replaced. The top section is connected to the post with a hinge that makes the fence easy to reconstruct. This saves time, guarantees fair and correct judging for riders and contributes to the overall safety of the sport.



The flag is bent when fatigued.