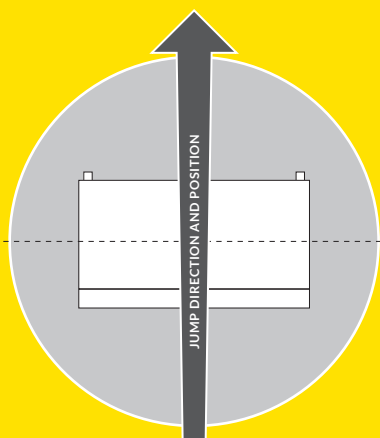
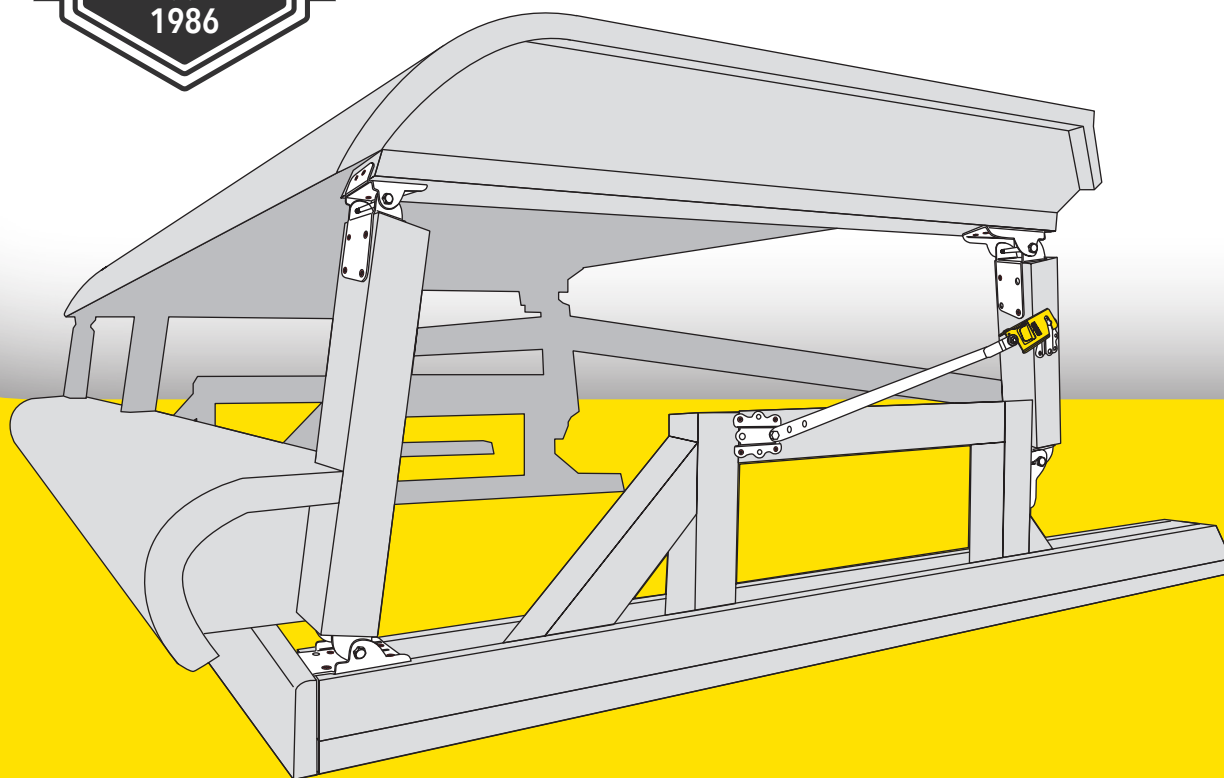


Table Kit - 80320

# mimSAFE

[mimclip.mimsafe.com](http://mimclip.mimsafe.com)



ASSEMBLY AND OPERATION INSTRUCTIONS

## TABLE KIT

MIMCLIP SYSTEM




APPROVED

# INFORMATION ABOUT THE TABLE KIT

The Table Kit has been designed and developed specifically to greatly reduce the risk of rotational falls. The most important element of this kit is that it will not break the fence or risk

injury to the horse if hit vertically. The top is only released when impacted horizontally by the horse. The risk of a resulting rotational fall is thus reduced.

<b>APPROVED FENCE TOP SECTION DIMENSIONS</b>			
Top section should be constructed as a framework. Material thickness 45 mm/ 1,8 inch. Recommended material: Spruce or Pinewood			
<b>MIN-MAX WIDTH</b>		<b>MIN-MAX LENGTH</b>	
99 - 173	inch	See the sizing charts further on this document.	
2500 - 4400	mm		
<b>MIN-MAX WEIGHT</b>			
440 - 660	lb	200 - 300	kg
 <b>Very dry wood material could increase up to 50% in weight when exposed to very wet conditions.</b>			



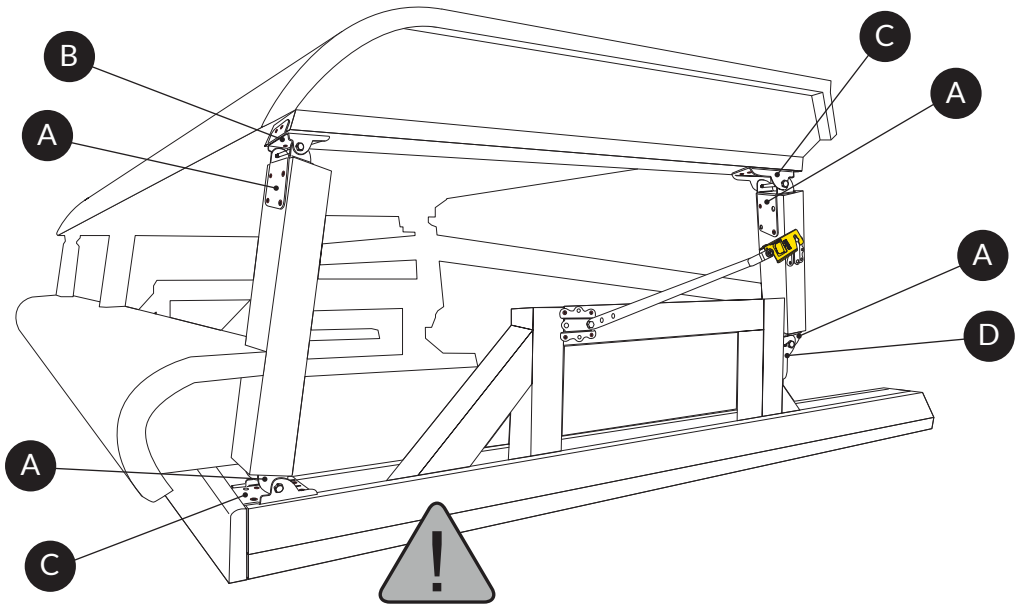
It is essential to follow the recommended dimensions on the fence for the correct function. If the recommended procedure is not correctly followed it may cause the failure of the device.

For your own safety and that of others please note the following step by step advice for correct preparation and installation. Always ensure that you follow your own health and safety requirements when constructing this fence.

**CAUTION:** The fence could cause risk of injury in upfolded position if accidentally released.

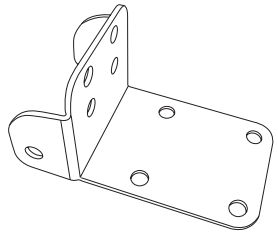
**Ensure that you have all parts of the Table Kit.**  
**Be aware of the risk of injury when handling heavy rails, posts and the tools for mounting.**

**WARNING!**

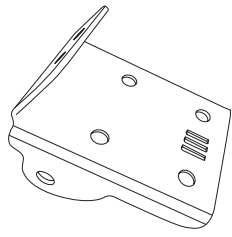


**IMPORTANT**

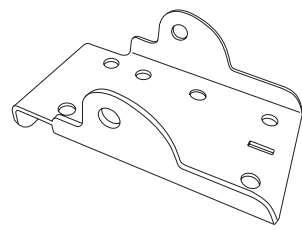
The fence as an unit, needs to be placed on a flat and horizontal area.  
 Diagonal reinforcement should be applied.  
 This to avoid torsion when the fence is activated by impact of center.  
 The fence lower section needs to be secured to the ground.



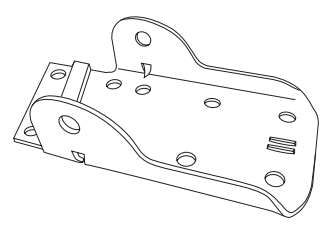
**A** F64B  
Part no 12x



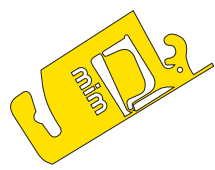
**B** F76A3  
Part no 3x



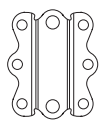
**C** F76A1  
Part no 6x



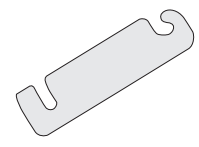
**D** F64A2  
Part no 3x



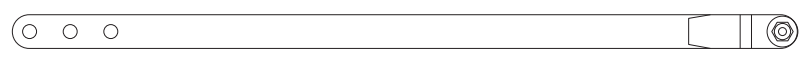
**E** F18F  
Part no 6x



**F** F70A  
Part no 4x







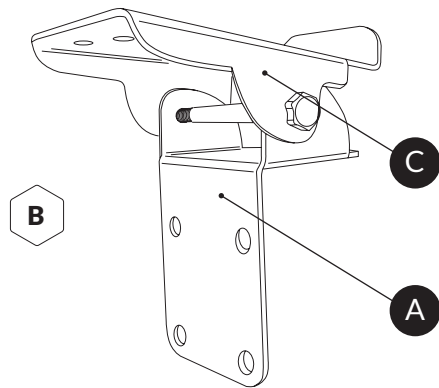
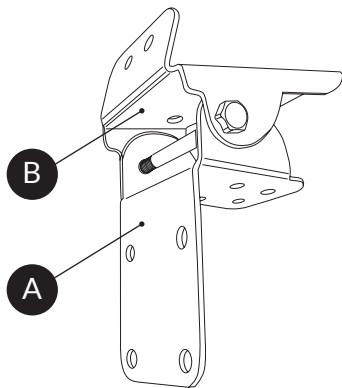
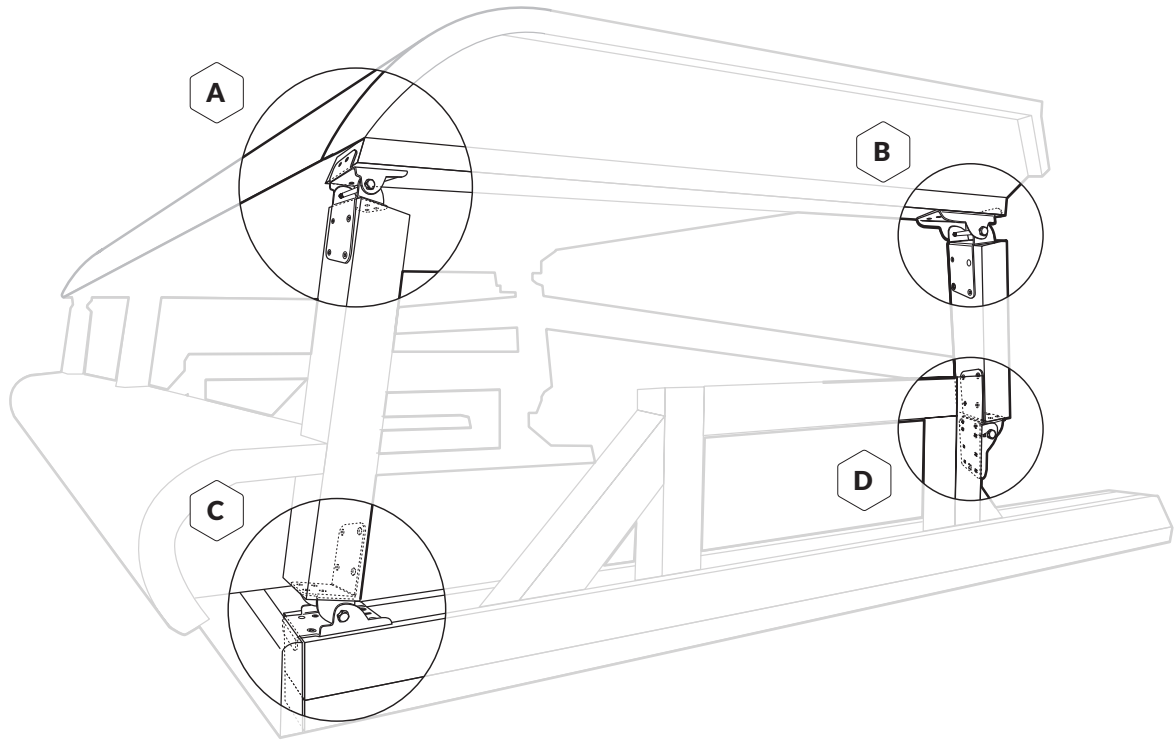
**H** F18S  
Part no 2x



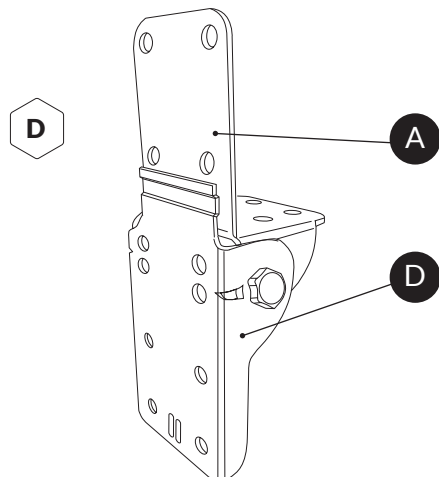
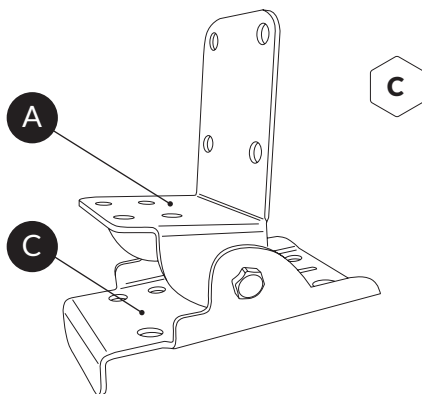
**G** 00330  
Part no 2x

<p>M-SM10x110 12X</p>	<p>M-BR10,5x22x2s 12X</p>	<p>M-MM10Ny 12X</p>	<p>M-TS10X90 4X</p>
---------------------------	-------------------------------	-------------------------	-------------------------

M-SM10x110 <b>12X</b> 	M-BR10,5x22x2s <b>12X</b> 	M-MM10Ny <b>12X</b> 	<b>186X</b>  not included
---	---	---	--

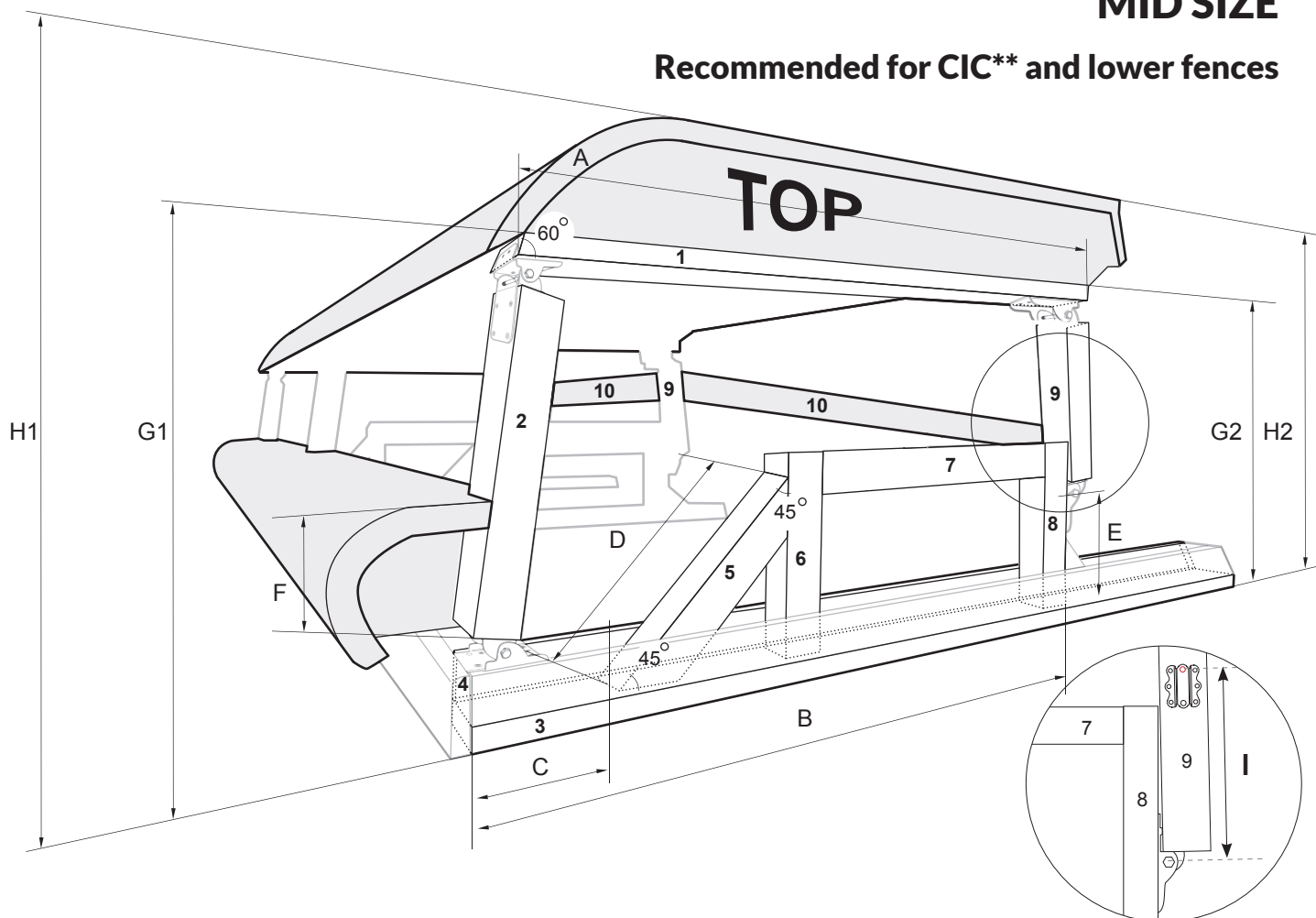


**3X**



# MID SIZE

Recommended for CIC\*\* and lower fences



## Instruction: Decide length A (inch)

Piece	Cross Section	Length	Minimum length
1	2"x4"	A	40,5"
2	3,5"x4"	17,1"	
3	2"x8"	(A+18,5")	63"
4	2"x4"	(A+18,5")	63"
5	3,5"x4"	D=17,7"	
6	3,5"x4"	15,7"	
7	3,5"x4"	(A-30,5")	10"
8	3,5"x4"	15,7"	
9	3,5"x4"	12,2"	
10	2"x6"		
Measurement		Length	Minimum length
B		(A+0,4")	41,1"
C		11,8	
E		12,6	
F		9,8"	9,8"
I		7,28"	

Control measure	G1=29,3"
Control measure	G2=30,1"
Complete barrier	H1 estimated 42,1" or lower
Complete barrier	H2 estimated 43,3" or lower

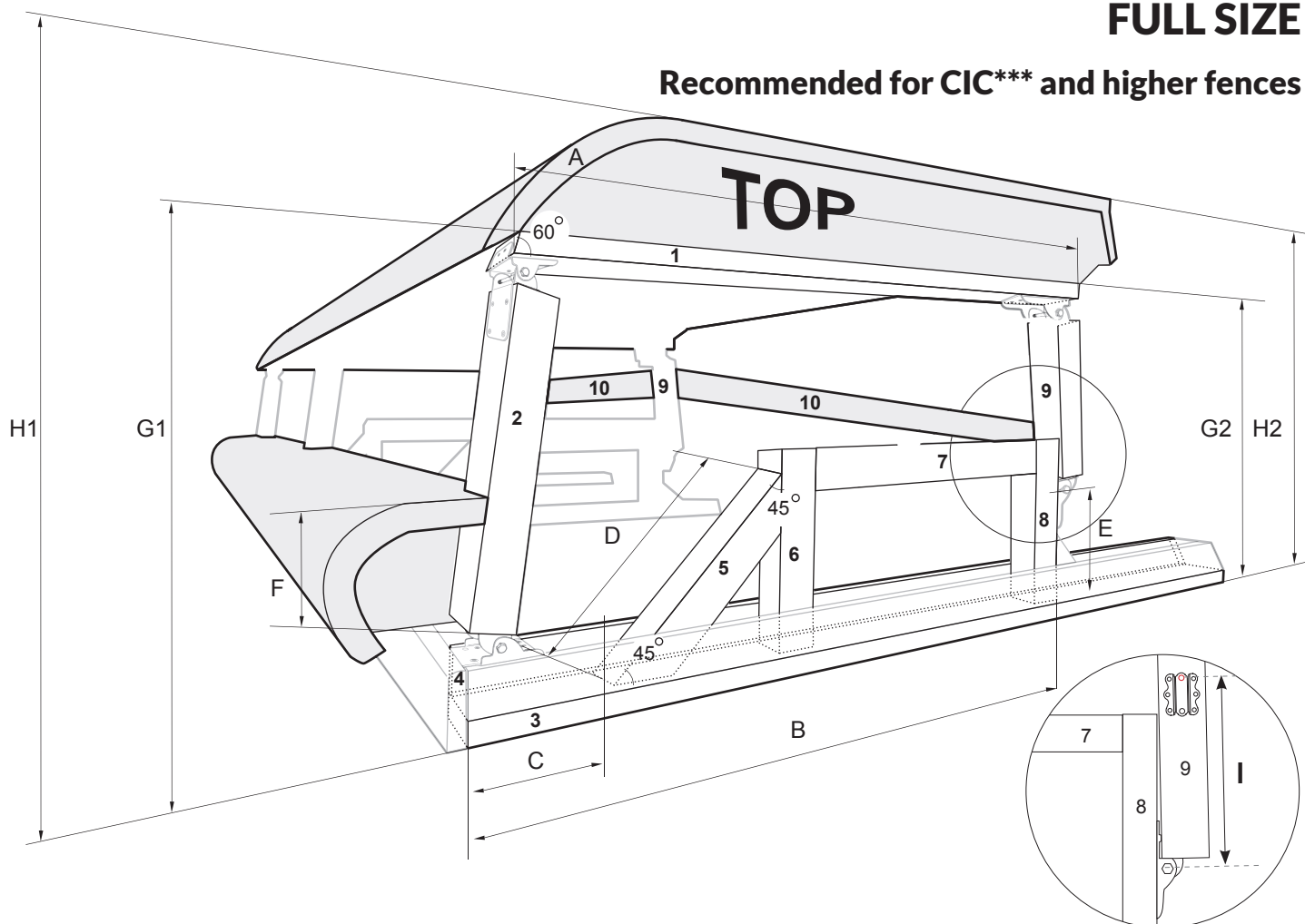
## Instruction: Decide length A (millimeter)

Piece	Cross Section	Length	Minimum length
1	45x95	A	1030
2	90x95	435	
3	45x195	(A+470)	1600
4	45x95	(A+470)	1600
5	90x95	D=450	
6	90x95	400	
7	90x95	(A-775)	255
8	90x95	400	
9	90x95	310	
10	45x145		
Measurement		Length	Minimum length
B		(A+15)	1045
C		300	
E		320	
F		250	250
I		185	

Control measure	G1=745
Control measure	G2=765
Complete barrier	H1 estimated 1070 or lower
Complete barrier	H2 estimated 1100 or lower

# FULL SIZE

Recommended for CIC\*\*\* and higher fences



## Instruction: Decide length A (inch)

Piece	Cross Section	Length	Minimum length
1	2"x4"	A	49,4"
2	3,5"x4"	23,2"	
3	2"x8"	(A+23,4")	72,8"
4	2"x4"	(A+23,4")	72,8"
5	3,5"x4"	D=23,8"	
6	3,5"x4"	19,7"	
7	3,5"x4"	(A-34,8")	14,6"
8	3,5"x4"	19,7"	
9	3,5"x4"	16,9"	
10	2"x6"		
Piece	Cross Section	Length	Minimum length
B		(A+1,2")	50,6"
C		11,8	
E		12,6	
F		9,8"	9,8"
I		9,25"	

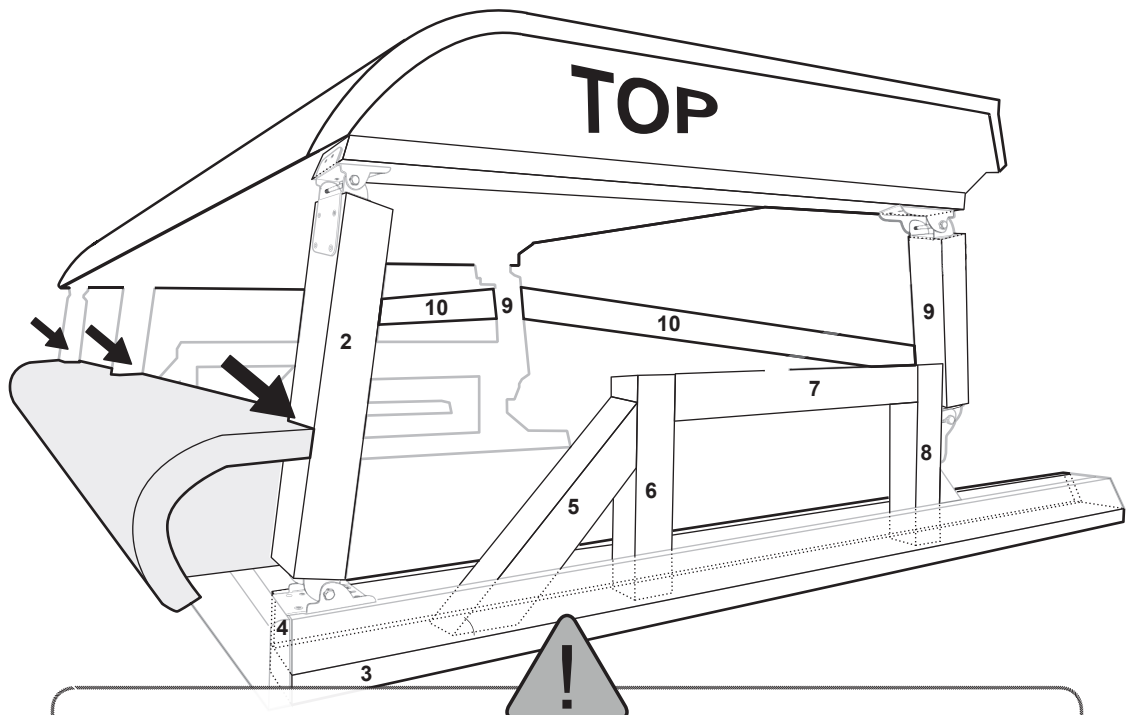
Control measure	G1=35,4"
Control measure	G2=36,4"
Complete barrier	H1 estimated 44" or higher
Complete barrier	H2 estimated 45,3" or higher

## Instruction: Decide length A (millimeter)

Piece	Cross Section	Length	Minimum length
1	45x95	A	1255
2	90x95	590	
3	45x195	(A+595)	1850
4	45x95	(A+595)	1850
5	90x95	D=600	
6	90x95	500	
7	90x95	(A-885)	370
8	90x95	500	
9	90x95	430	
10	45x145		
Measurement	Length	Minimum length	
B	(A+30)	1285	
C	300		
E	320		
F	250	250	
I	235		

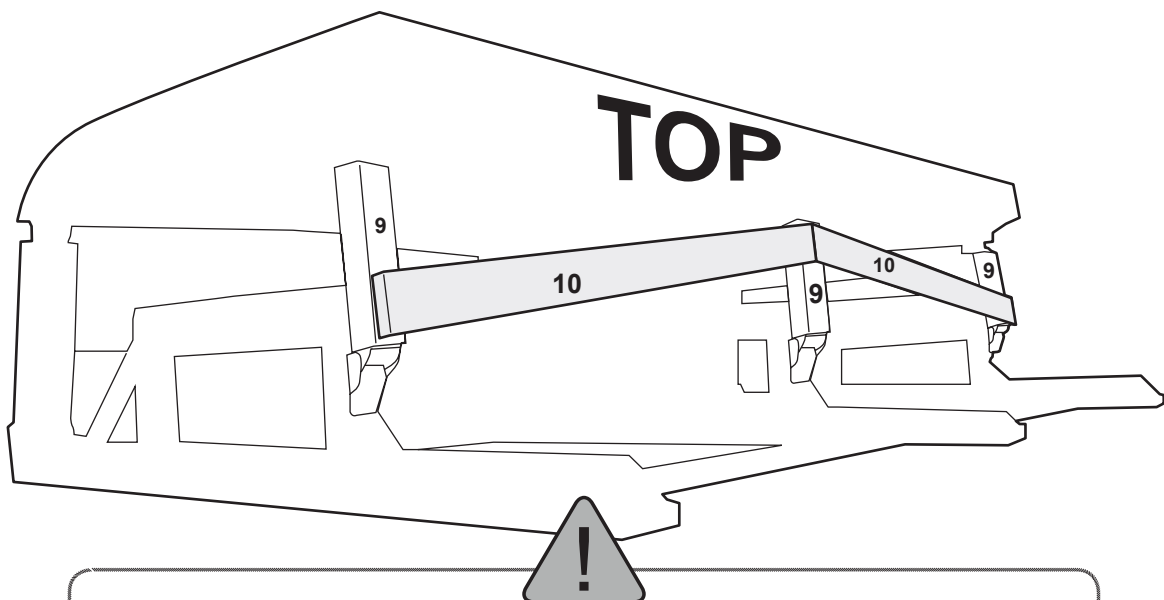
Control measure	G1=900
Control measure	G2=925
Complete barrier	H1 estimated 1120 or higher
Complete barrier	H2 estimated 1150 or higher

## Important Recommendations for installation



### WARNING

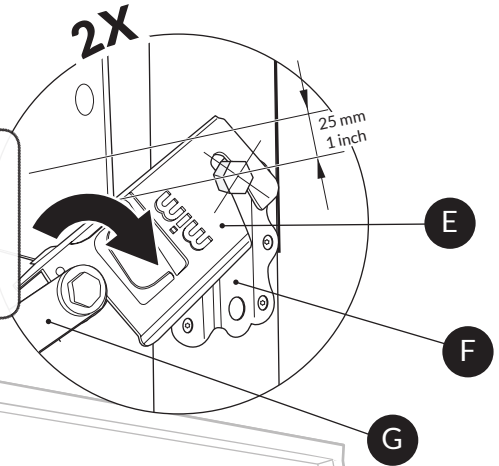
The three posts No 2 should be connected to a box construction or wall to become a rigid object. This to avoid different angles of the three posts No 2 and to avoid torsion when the fence is activated by impact of center.



### WARNING

Diagonal reinforcement No 10 should be applied. This to avoid rotation of the table around a vertical axis when the fence is activated by impact of center.

Use the same clip on both sides of the fence, by always turning the clip so it is able to be hooked onto the bolts from above. The clip is neither left or right and needs to be turned correctly to function on both sides.

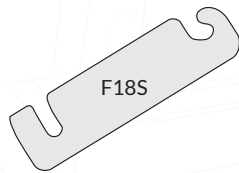


### HAZARD WARNING

Hazardous Areas: These areas have to be clear from objects. Otherwise the fence will not be able to fall down in a proper way.

### DANGER

The release function of the table fence could be a dangerous trap while not in competition. Thus is mandatory to replace the YELLOW CLIPs with the SAFETY CLIPs F18S when the fence is meant to be static.



HAZARDOUS AREA

Select the hole that best suits your fence.

## The advantages of the Table Kit

1. It has been produced with safety being the first and foremost important factor.
2. Reduces the possibility of rotational falls.
3. FEI approved number FEI14SWE.
4. Controlled movement of fence during release.
5. Reconstruction time is less than 30 seconds.
6. The parts are made of powder coated steel and can be left outside, no maintenance is required.
7. The very highest quality of product from Sweden.

## The advantages of the MIMclip

The Mim clip (F18F) breaks on impact. The flag is bent when the clip is exposed to fatigue. The upper and lower section are connected by hinges that makes the fence easy to reconstruct. This saves time, guarantees fair and correct judging for riders and contributes to the overall safety of the sport.



The flag is bent when fatigued.