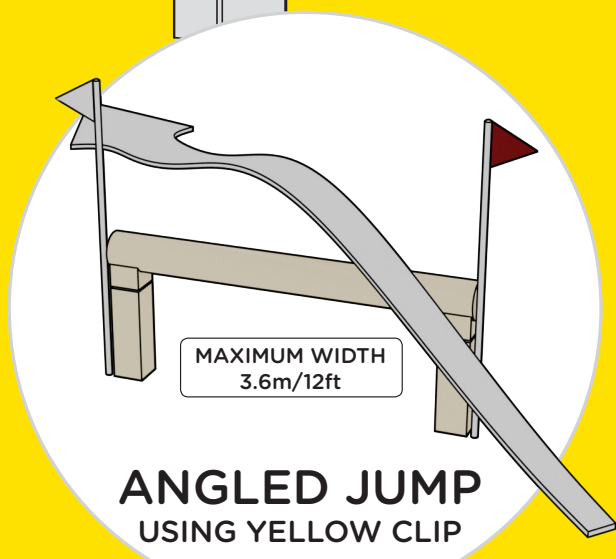
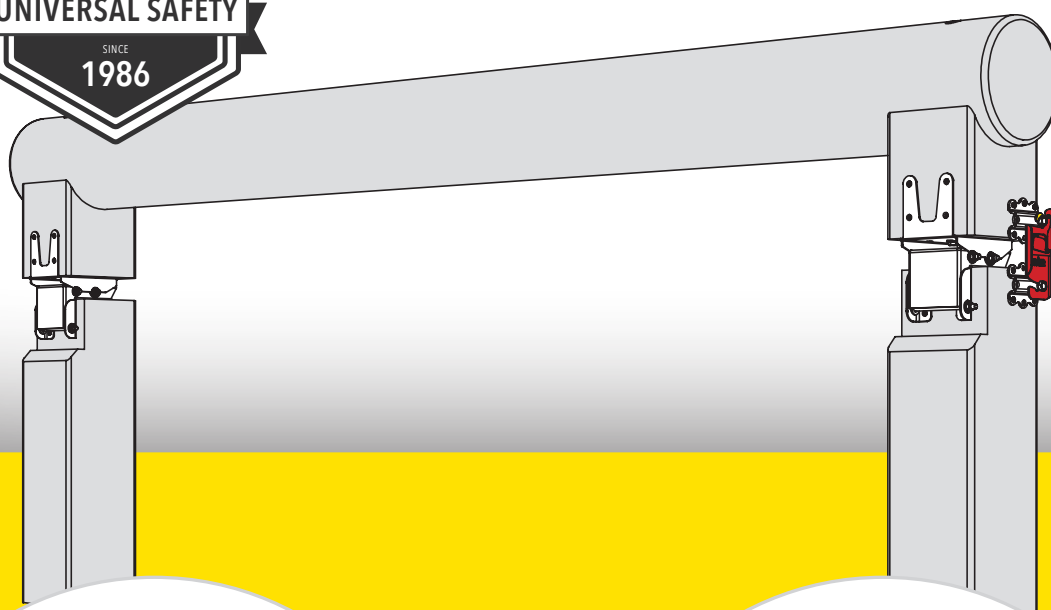


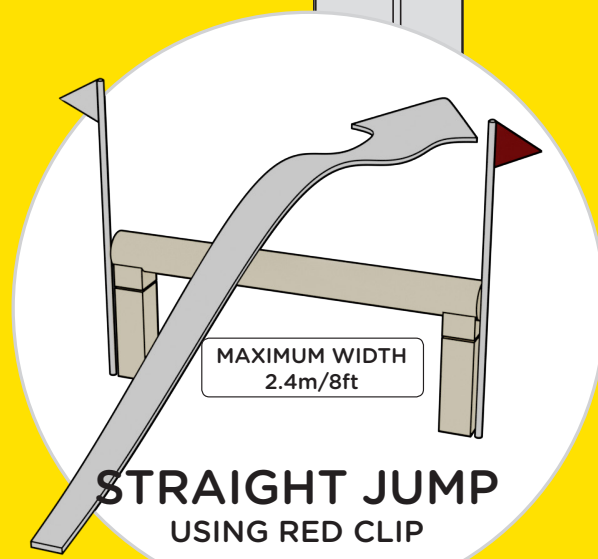
Post & Rail Narrow Kit - 80322

mimSAFE

mimclip.mimsafe.com



order separately
kit nr.80328



included in this kit

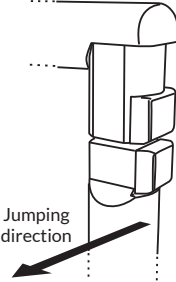
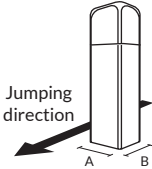




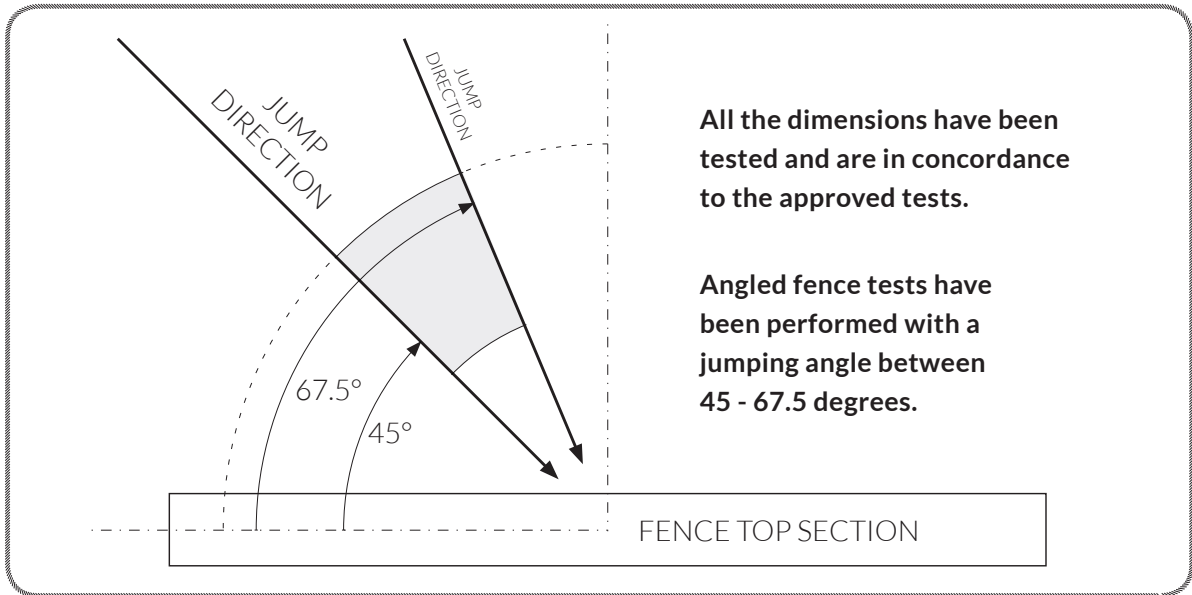
INFORMATION ABOUT THE POST & RAIL NARROW KIT

The Post & Rail Narrow Kit has been designed and developed specifically to greatly reduce the risk of rotational falls. The most important element of this kit is that it will not

break the fence or risk injury to the horse if hit vertically. The rail is only released when impacted horizontally by the horse. The risk of a resulting rotational fall is thus reduced.

FENCE DIMENSIONS

ROUND POST	SQUARE POST	TOP SECTION ANGLED JUMP	TOP SECTION STRAIGHT JUMP																
																			
DIAMETER	A: MIN-MAX SIZE	MIN-MAX WEIGHT	MIN-MAX WEIGHT																
<table border="1"> <tr><td>9 - 11</td><td>inch</td></tr> <tr><td>225 - 275</td><td>mm</td></tr> </table>	9 - 11	inch	225 - 275	mm	<table border="1"> <tr><td>6 - 8</td><td>inch</td></tr> <tr><td>150 - 200</td><td>mm</td></tr> </table>	6 - 8	inch	150 - 200	mm	<table border="1"> <tr><td>175 - 240</td><td>lb</td></tr> <tr><td>80 - 110</td><td>kg</td></tr> </table>	175 - 240	lb	80 - 110	kg	<table border="1"> <tr><td>130 - 200</td><td>lb</td></tr> <tr><td>60 - 90</td><td>kg</td></tr> </table>	130 - 200	lb	60 - 90	kg
9 - 11	inch																		
225 - 275	mm																		
6 - 8	inch																		
150 - 200	mm																		
175 - 240	lb																		
80 - 110	kg																		
130 - 200	lb																		
60 - 90	kg																		
	B: MIN-MAX SIZE	MIN-MAX DIAMETER	MIN-MAX DIAMETER																
	<table border="1"> <tr><td>8-9</td><td>inch</td></tr> <tr><td>200-225</td><td>mm</td></tr> </table>	8-9	inch	200-225	mm	<table border="1"> <tr><td>8 - 12</td><td>inch</td></tr> <tr><td>200 - 300</td><td>mm</td></tr> </table>	8 - 12	inch	200 - 300	mm	<table border="1"> <tr><td>8 - 12</td><td>inch</td></tr> <tr><td>200 - 300</td><td>mm</td></tr> </table>	8 - 12	inch	200 - 300	mm				
8-9	inch																		
200-225	mm																		
8 - 12	inch																		
200 - 300	mm																		
8 - 12	inch																		
200 - 300	mm																		
		MAXIMUM LENGTH	MAXIMUM LENGTH																
		<table border="1"> <tr><td>12</td><td>ft</td></tr> <tr><td>3600</td><td>mm</td></tr> </table>	12	ft	3600	mm	<table border="1"> <tr><td>8</td><td>ft</td></tr> <tr><td>2400</td><td>mm</td></tr> </table>	8	ft	2400	mm								
12	ft																		
3600	mm																		
8	ft																		
2400	mm																		

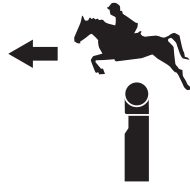


It is essential to follow the recommended dimensions on the fence for the correct function. If the recommended procedure is not correctly followed it may cause the failure of the device.

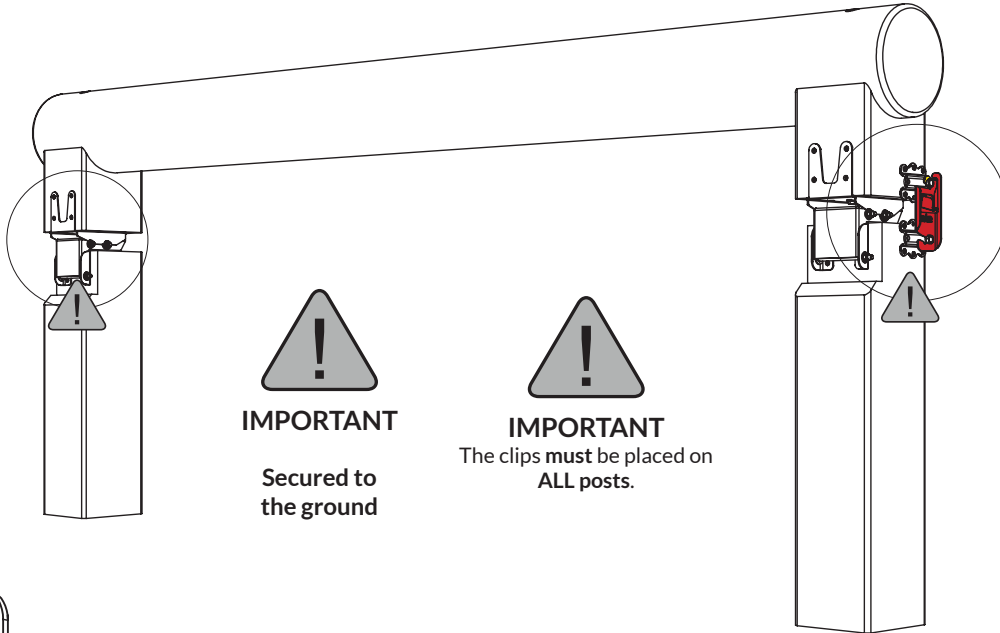
For your own safety and that of others please note the following step by step advice for correct preparation and installation. It is important that you follow your own health and safety requirements when constructing this kit.

Ensure that you have all parts of the Post & Rail Narrow Kit.
Be aware of the risk of injury when handling heavy rails, posts and the tools for mounting.

WARNING!



Jumping direction

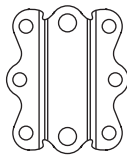
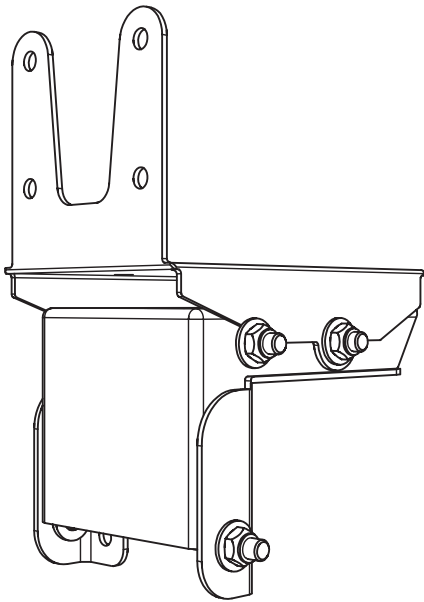


IMPORTANT

Secured to the ground

IMPORTANT

The clips must be placed on ALL posts.



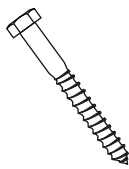



order separately
kit nr.80328

A 00454
Part no 2x

B F70A
Part no 4x

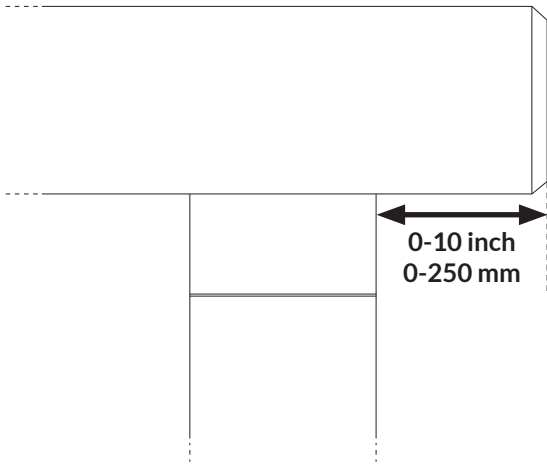
D F18C
Part no 6x

C F18F
Part no 6x

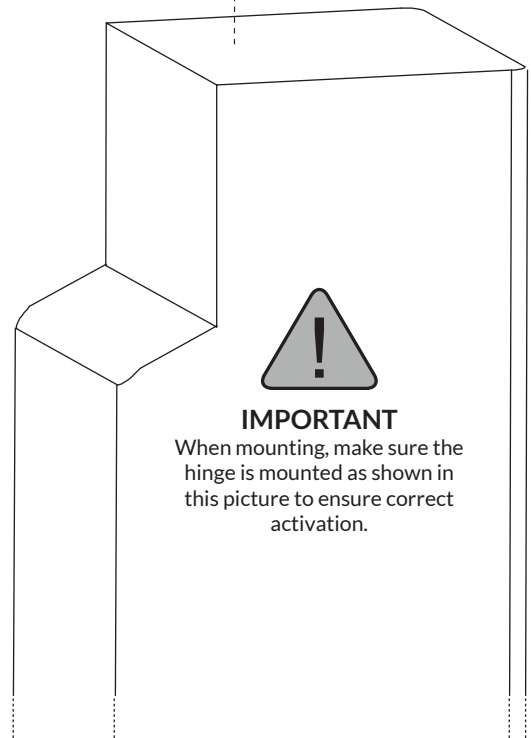
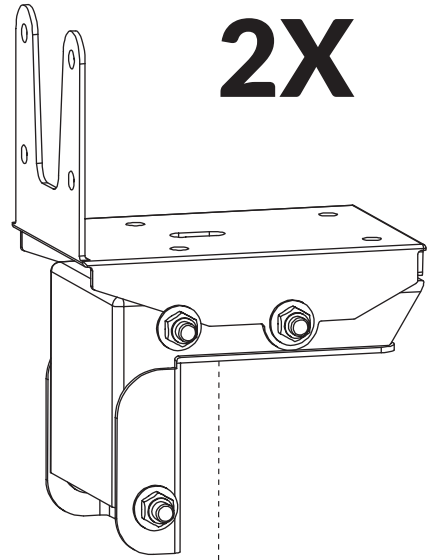
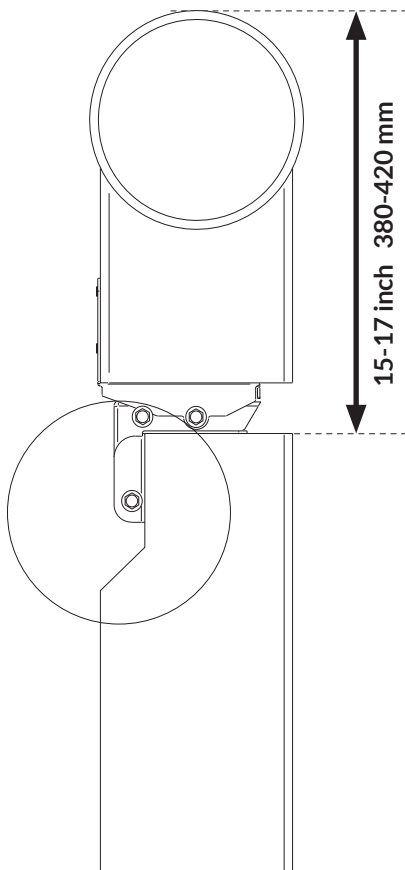
<p>M-TS10X90 4X</p> 	<p>POST TOP SECTION 2X</p>  <p>not included</p>	<p>POST BOTTOM SECTION 2X</p>  <p>not included</p>	<p>RAIL 1X</p>  <p>not included</p>
---	--	---	---

STEP
1a

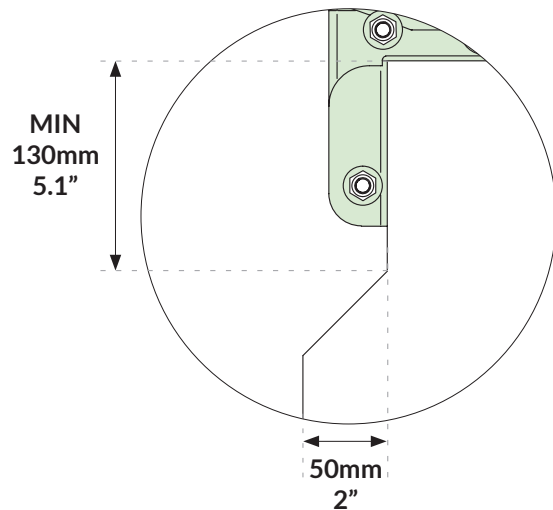
Square posts



IMPORTANT
Make sure you follow these measurements for correct fence release/function

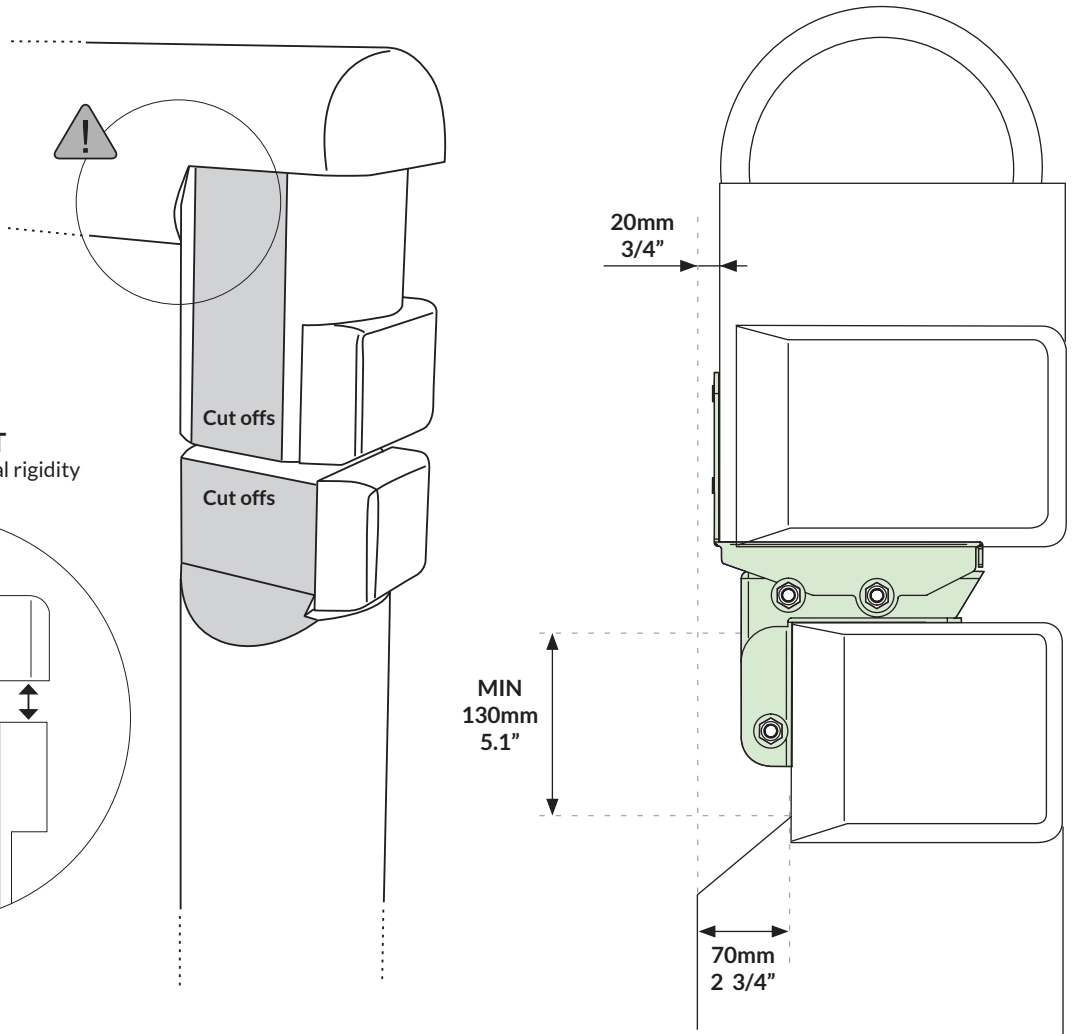


IMPORTANT
When mounting, make sure the hinge is mounted as shown in this picture to ensure correct activation.



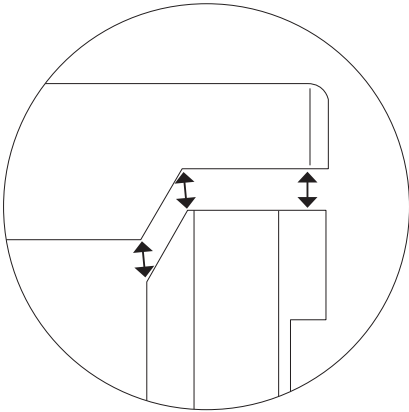
STEP
1b

Round posts

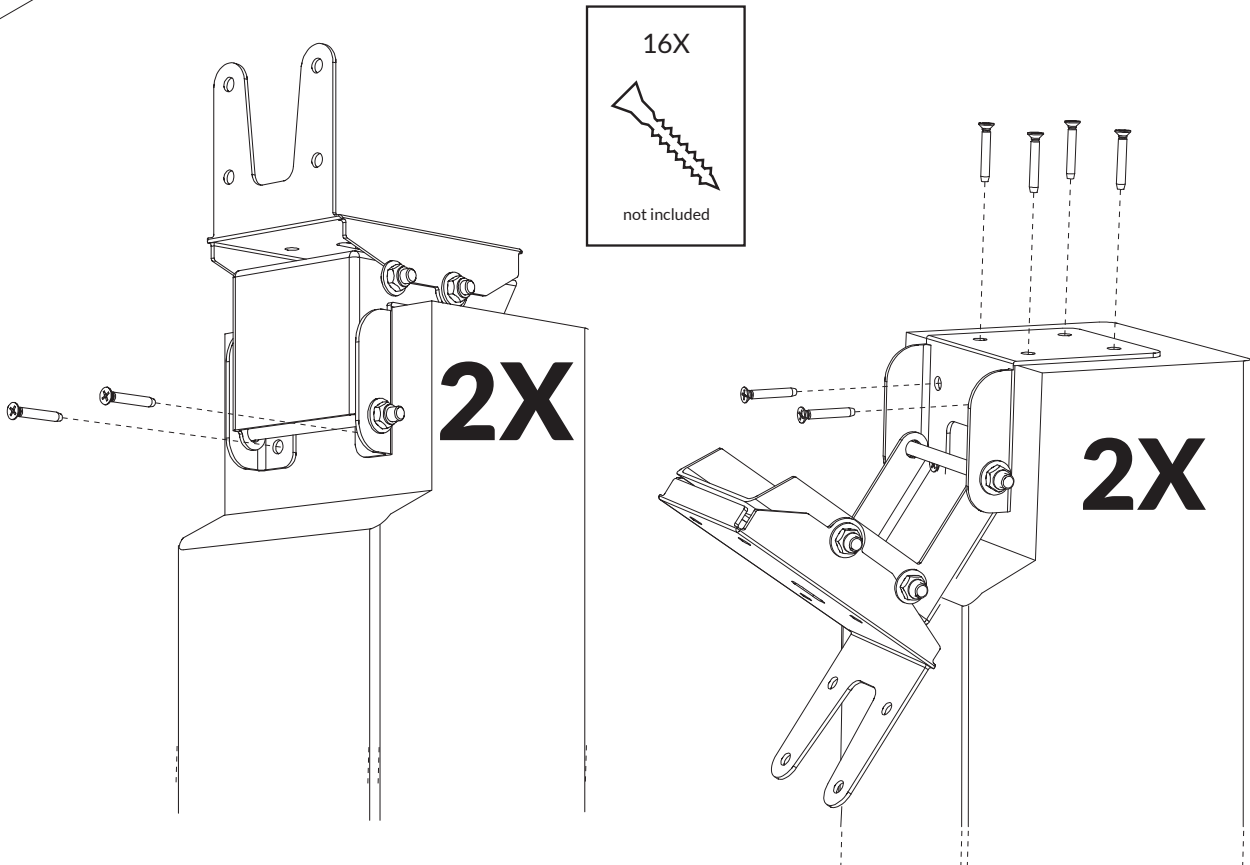


IMPORTANT

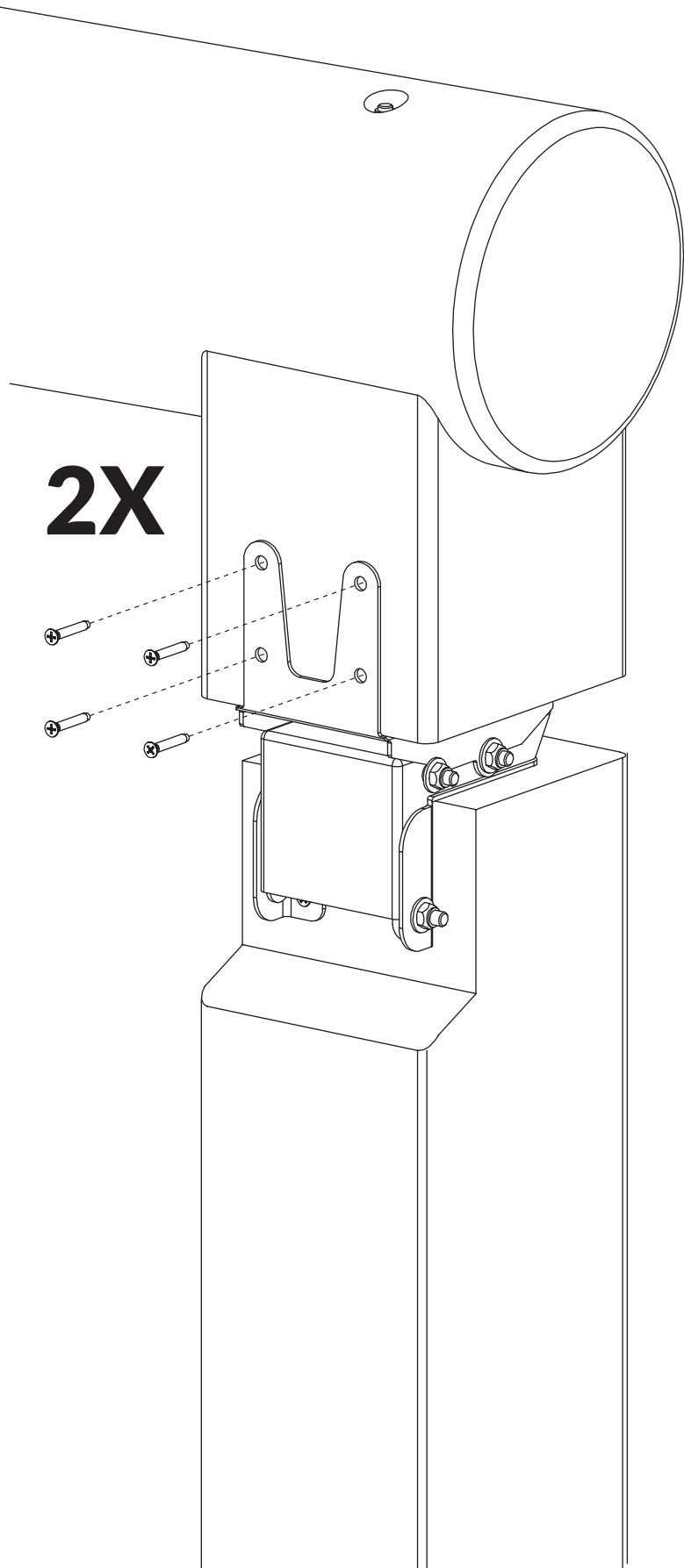
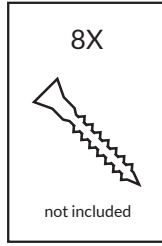
Aligned cuts for torsional rigidity



STEP
2



STEP
3

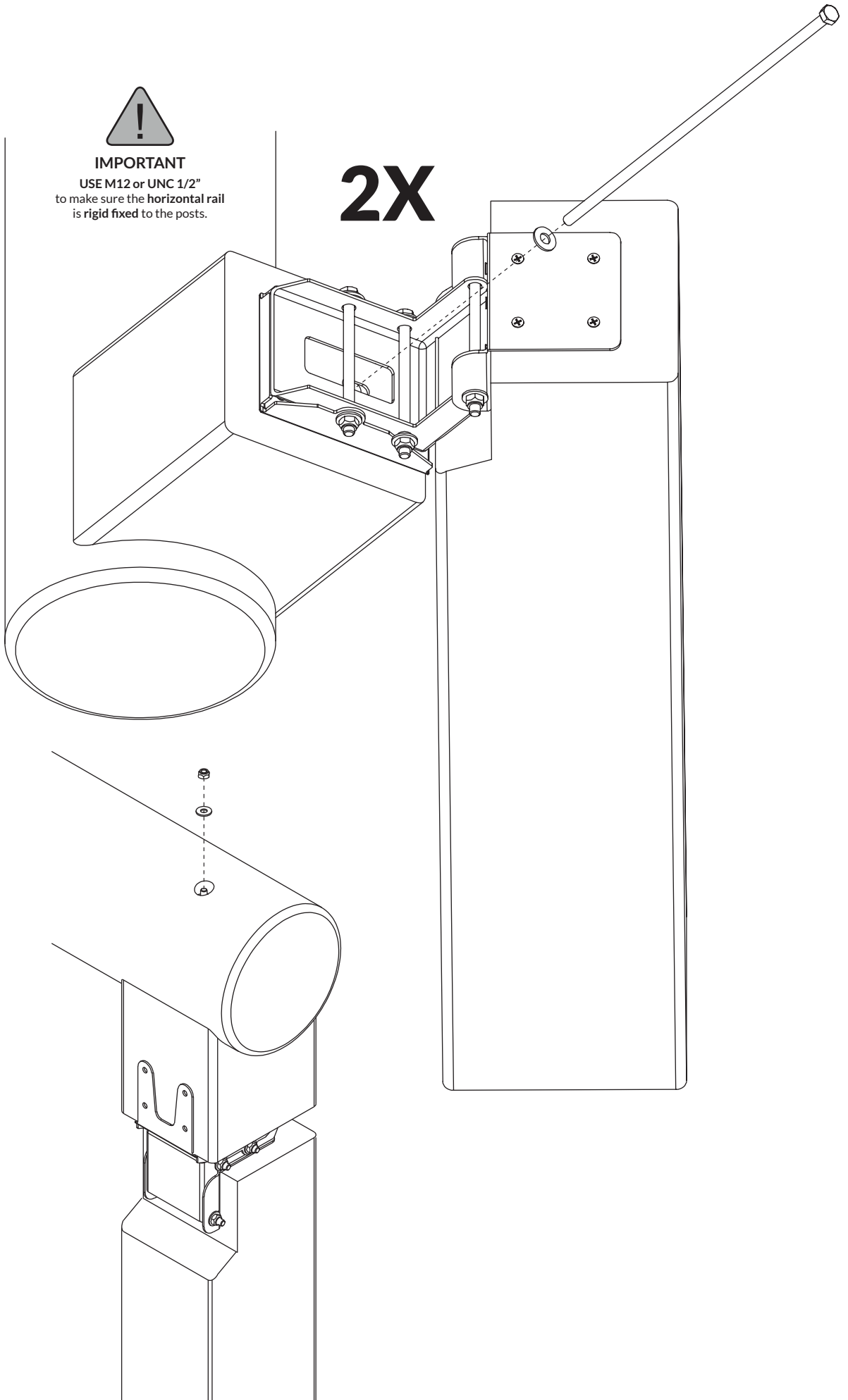


STEP
4



IMPORTANT
USE M12 or UNC 1/2"
to make sure the horizontal rail
is rigid fixed to the posts.

2X

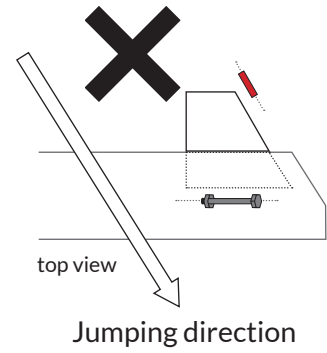


STEP
5

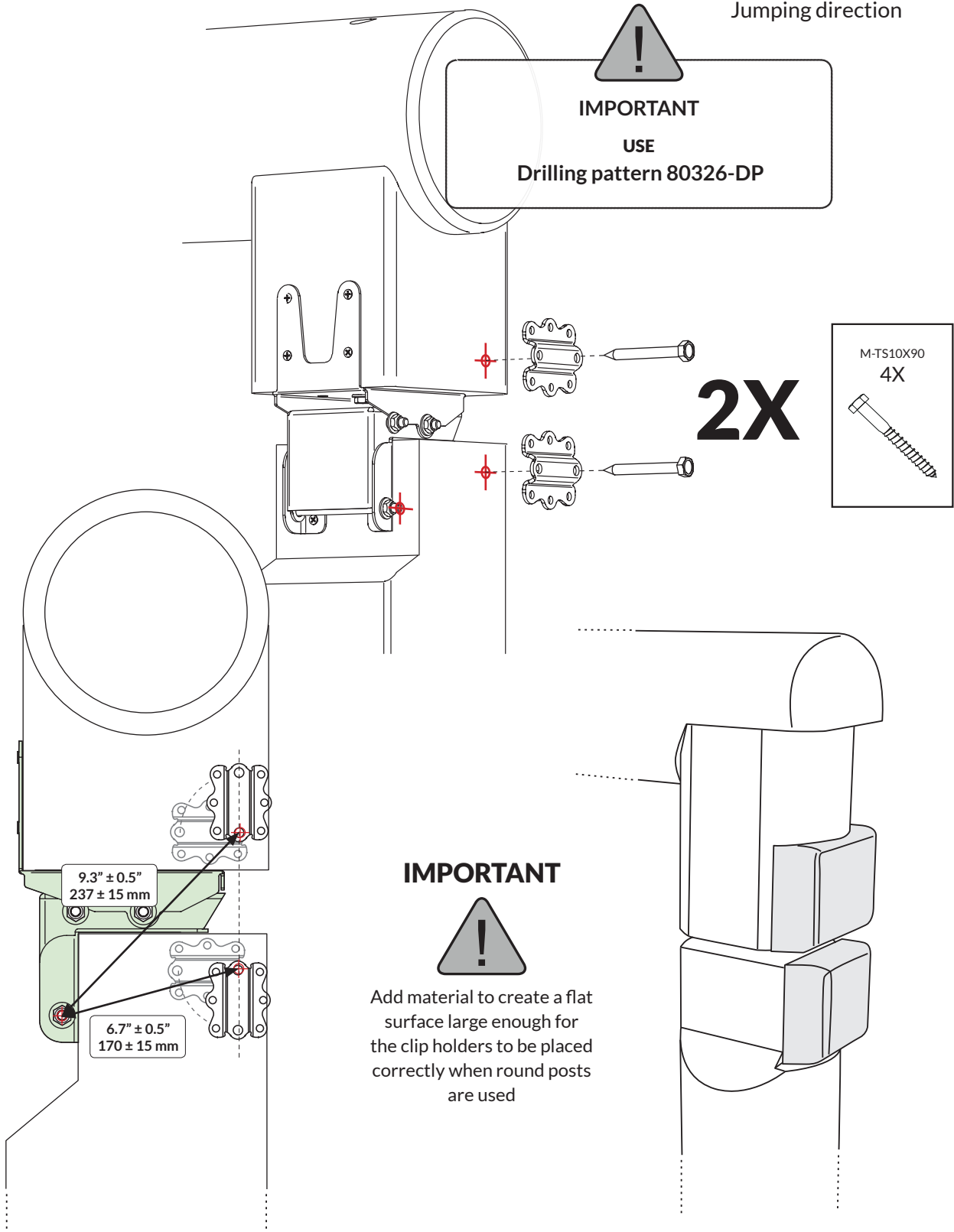
CORRECT alignment of the clip



WRONG alignment of the clip



IMPORTANT
USE
Drilling pattern 80326-DP



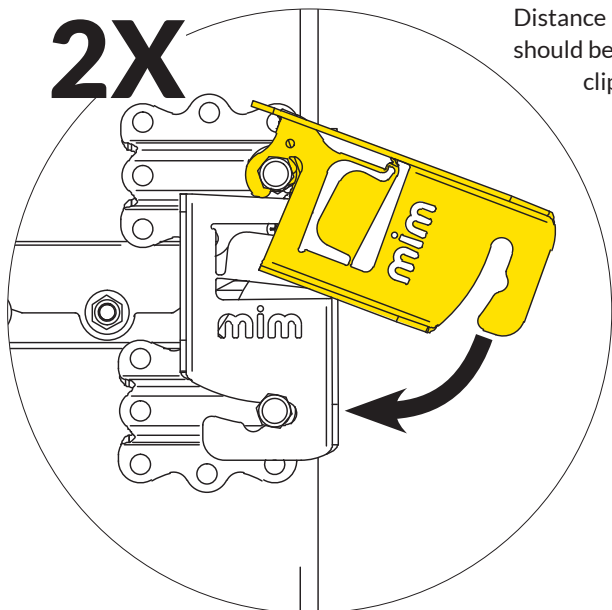
STEP
6

IMPORTANT



Distance between brackets
should be adjusted to avoid
clip C rattling.

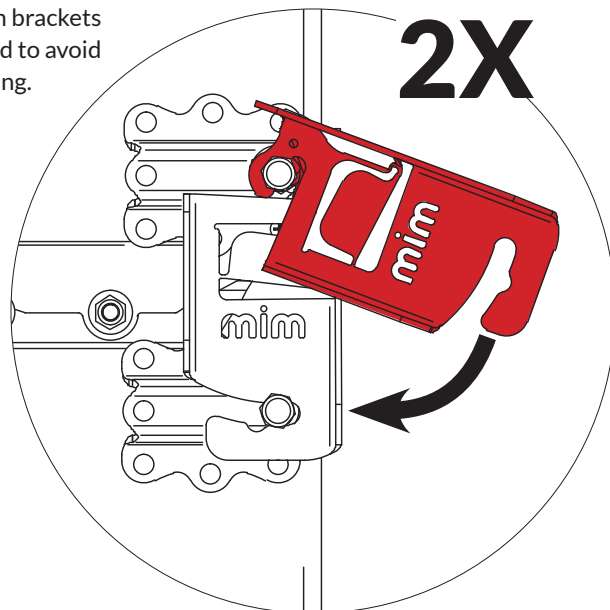
2X



**POSITIONING OF CLIP FOR
ANGLED JUMP**

order separately
kit nr.80328

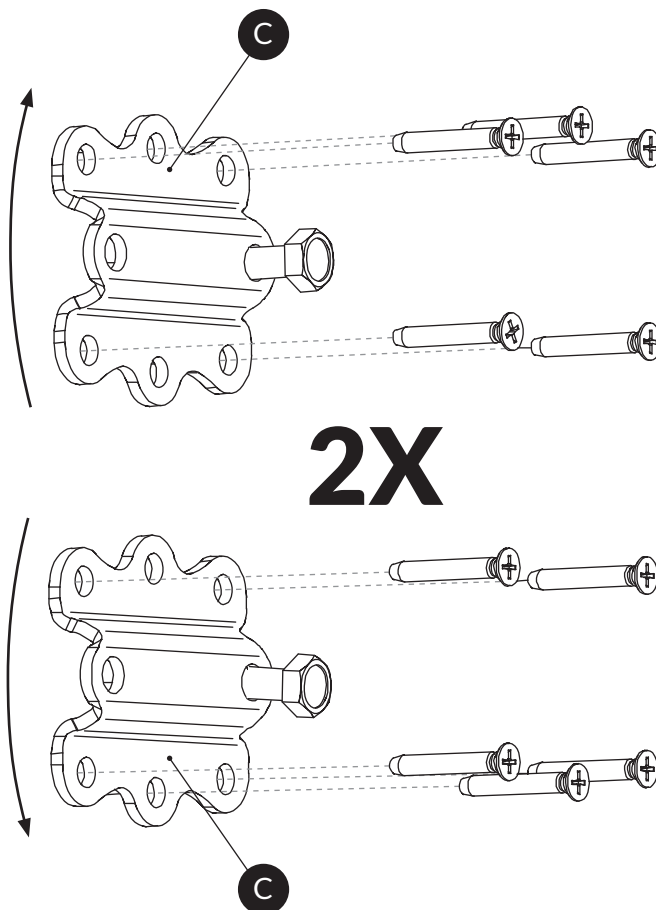
2X



**POSITIONING OF CLIP FOR
STRAIGHT JUMP**

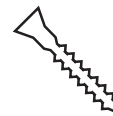
STEP
7

Rotate the pieces C
around the bolt's position
if necessary



2X

20X

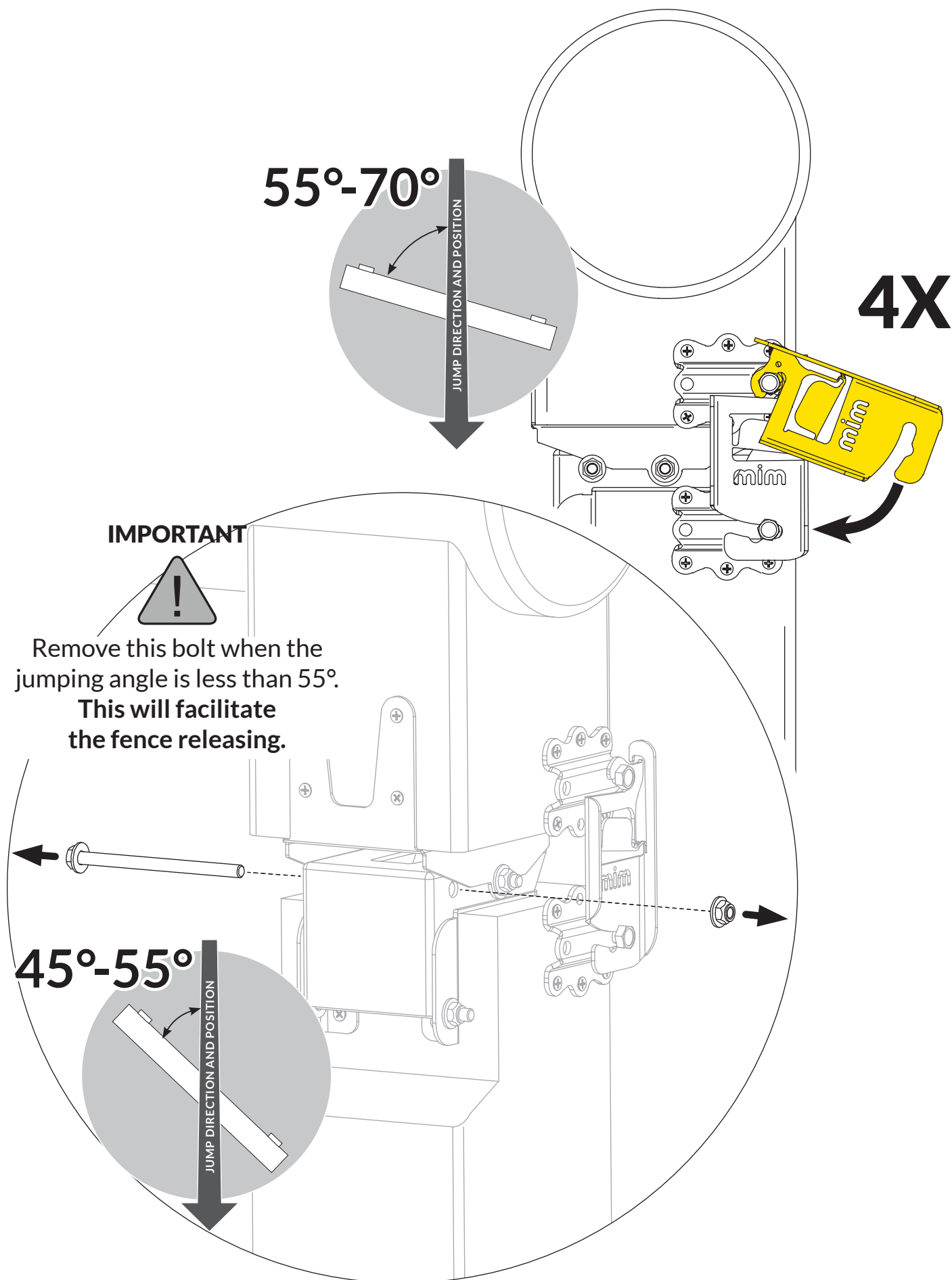


not included

STEP
8

ANGLED JUMPS

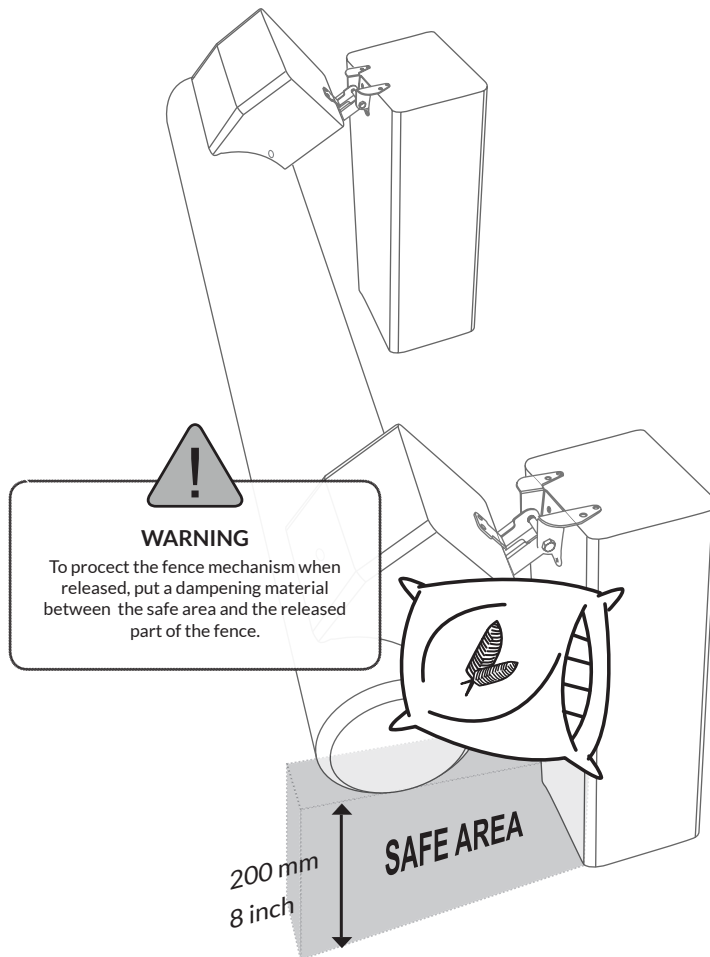
Adjusting the hinge for different jumping angles





IMPORTANT

When top section is released the distance between top section and ground should be **minimum 200 mm**.
If distance between ground and top section is less, then place an object which will prevent the top section falling into the **SAFE AREA**



The flag is bent when fatigued.

The advantages of the Post & Rail Narrow Kit

1. It has been produced with safety being the first and foremost important factor.
2. Reduces the possibility of rotational falls.
3. FEI approved number FEI12SWE.
4. Controlled movement of fence during release.
5. Reconstruction time is less than 30 seconds.
6. The parts are made of powder coated steel and can be left outside, no maintenance is required.
7. The very highest quality of product from Sweden ISO 9001.

The advantages of the MIMclip

The MIMclip (F18C) breaks on impact. The flag is bent when the clip is exposed to fatigue. In both cases the clip must be replaced. The top section is connected to the post with a hinge that makes the fence easy to reconstruct. This saves time, guarantees fair and correct judging for riders and contributes to the overall safety of the sport.