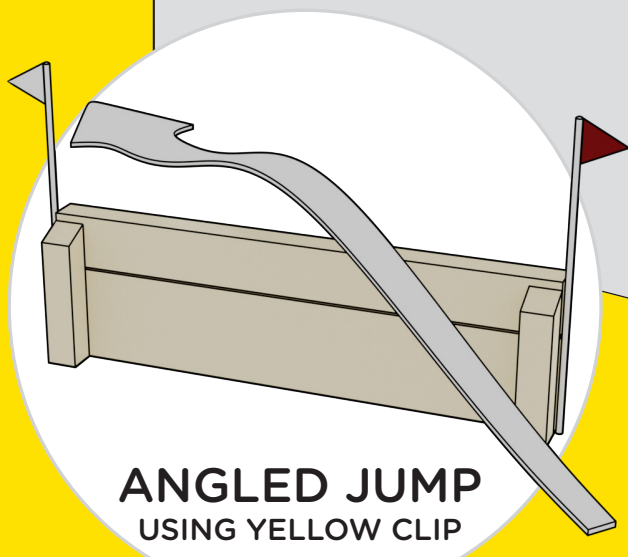
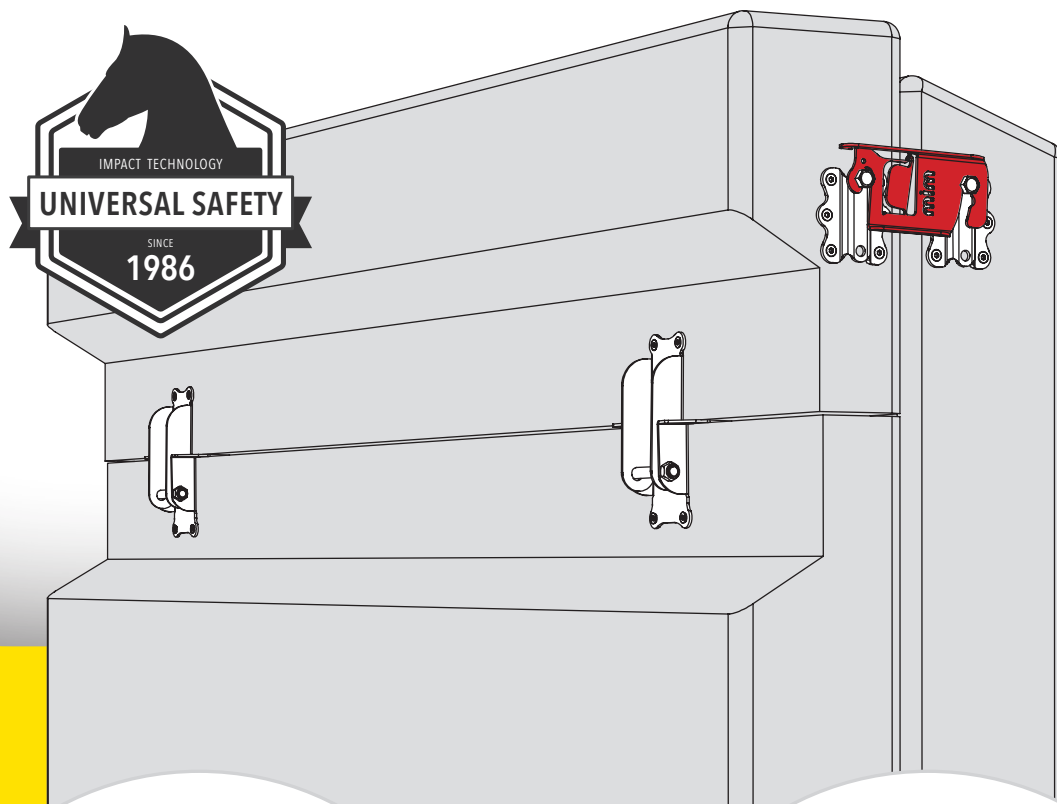


Wall Kit - 80324

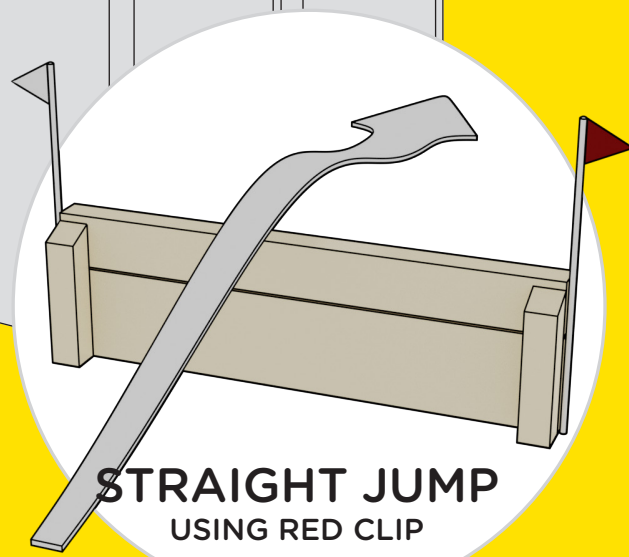
mimSAFE

mimclip.mimsafe.com



ANGLED JUMP
USING YELLOW CLIP

order separately
kit nr.80328



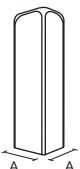
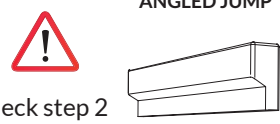
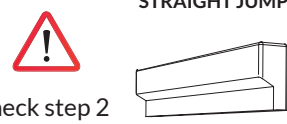
STRAIGHT JUMP
USING RED CLIP

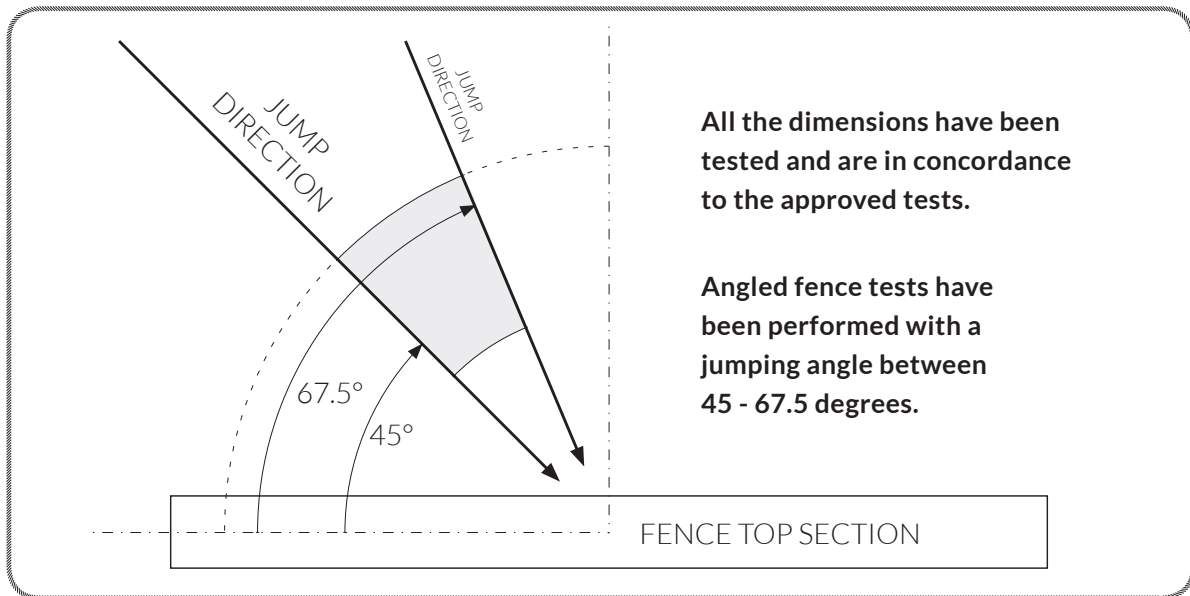
included in this kit




INFORMATION ABOUT THE WALL KIT

The Wall Kit has been designed and developed specifically to greatly reduce the risk of rotational falls. The most important element of this kit is that it will not break the fence or risk injury to the horse if hit vertically. The top section is only released when impacted horizontally by the horse. The risk of a resulting rotational fall is thus reduced.

FENCE DIMENSIONS																																																										
<p>POST</p>  <p>MIN-MAX A DIMENSIONS</p> <table border="1"> <tr> <td>6 - 10</td> <td>inch</td> </tr> <tr> <td>150 - 250</td> <td>mm</td> </tr> </table>	6 - 10	inch	150 - 250	mm	<p>TOP SECTION ANGLED JUMP</p>  <p>Check step 2</p> <table border="1"> <tr> <td colspan="2">MIN-MAX THICKNESS</td> <td colspan="2">MAXIMUM LENGTH</td> </tr> <tr> <td>8 - 10</td> <td>inch</td> <td>177</td> <td>inch</td> </tr> <tr> <td>200 - 250</td> <td>mm</td> <td>4500</td> <td>mm</td> </tr> <tr> <td colspan="2">MIN-MAX HEIGHT</td> <td colspan="2">MIN-MAX WEIGHT</td> </tr> <tr> <td>15 - 16.5</td> <td>inch</td> <td>130 - 200</td> <td>lb</td> </tr> <tr> <td>380 - 420</td> <td>mm</td> <td>60 - 90</td> <td>kg</td> </tr> </table>			MIN-MAX THICKNESS		MAXIMUM LENGTH		8 - 10	inch	177	inch	200 - 250	mm	4500	mm	MIN-MAX HEIGHT		MIN-MAX WEIGHT		15 - 16.5	inch	130 - 200	lb	380 - 420	mm	60 - 90	kg	<p>TOP SECTION STRAIGHT JUMP</p>  <p>Check step 2</p> <table border="1"> <tr> <td colspan="2">MIN-MAX THICKNESS</td> <td colspan="2">MAXIMUM LENGTH</td> </tr> <tr> <td>8 - 10</td> <td>inch</td> <td>177</td> <td>inch</td> </tr> <tr> <td>200 - 250</td> <td>mm</td> <td>4500</td> <td>mm</td> </tr> <tr> <td colspan="2">MIN-MAX HEIGHT</td> <td colspan="2">MIN-MAX WEIGHT</td> </tr> <tr> <td>15 - 16.5</td> <td>inch</td> <td>55 - 187</td> <td>lb</td> </tr> <tr> <td>380 - 420</td> <td>mm</td> <td>25 - 85</td> <td>kg</td> </tr> </table>			MIN-MAX THICKNESS		MAXIMUM LENGTH		8 - 10	inch	177	inch	200 - 250	mm	4500	mm	MIN-MAX HEIGHT		MIN-MAX WEIGHT		15 - 16.5	inch	55 - 187	lb	380 - 420	mm	25 - 85	kg
	6 - 10	inch																																																								
	150 - 250	mm																																																								
	MIN-MAX THICKNESS		MAXIMUM LENGTH																																																							
8 - 10	inch	177	inch																																																							
200 - 250	mm	4500	mm																																																							
MIN-MAX HEIGHT		MIN-MAX WEIGHT																																																								
15 - 16.5	inch	130 - 200	lb																																																							
380 - 420	mm	60 - 90	kg																																																							
MIN-MAX THICKNESS		MAXIMUM LENGTH																																																								
8 - 10	inch	177	inch																																																							
200 - 250	mm	4500	mm																																																							
MIN-MAX HEIGHT		MIN-MAX WEIGHT																																																								
15 - 16.5	inch	55 - 187	lb																																																							
380 - 420	mm	25 - 85	kg																																																							

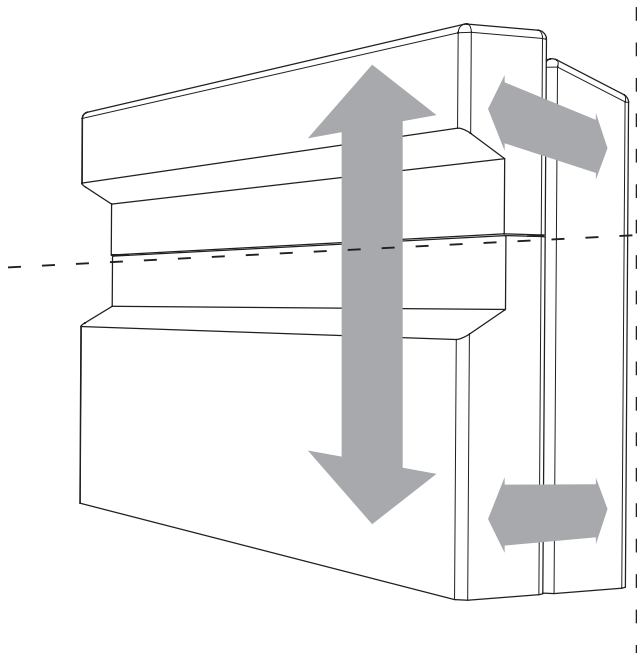


<p>RECOMMENDED MATERIAL SPRUCE OR PINEWOOD</p>	<p>Very dry wood material could increase up to 50% in weight when exposed to very wet conditions.</p>
	
<p>It is essential to follow the recommended technical specifications of the fence for the correct function. If the recommended procedure is not correctly followed it may cause the failure of the device.</p> <p>For your own safety and that of others please note the following step by step advice for correct preparation and installation. Always ensure that you follow your own health and safety requirements when constructing this fence.</p>	
<p>CAUTION: The fence could cause risk of injury in upfolded position if accidentally released.</p>	
<p>Ensure that you have all parts of the Wall Kit. Be aware of the risk of injury when handling heavy rails, posts and the tools for mounting.</p>	
<p>WARNING!</p>	

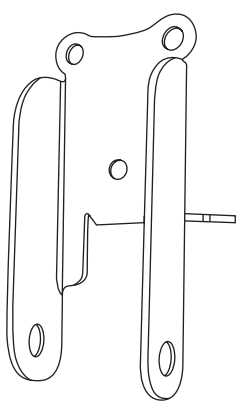


THE TOP SECTION IS THE FOLDABLE PART OF THE FENCE AND NEEDS TO BE TORSIONALLY RIGID
 A torsionally rigid object is achieved by making a box construction. This concerns the top section which should be a rounded or square box construction. This is to avoid torsion when the fence is activated by impact of center.

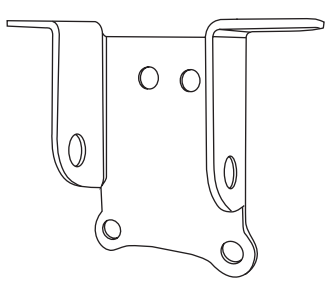
IMPORTANT
 The marked surfaces must be:
LEVELED & VERTICAL

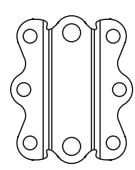
IMPORTANT
 Secured to the ground



A F76D
Part no 2x



B F76C
Part no 2x



C F70A
Part no 4x




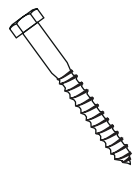


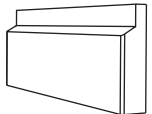


D F18C
Part no 6x



D F18F
Part no 6x

order separately
kit nr.80328

M-SM12x90 2X 	M-BR12x22x2s 2X 	M-MM12Ny 2X 	M-TS10X90 4X 	POST 2X  not included	TOP SECTION 1X  not included	BOTTOM SECTION 1X  not included
--	---	---	--	--	--	---



IMPORTANT

It is important that the top section is torsionally stiff.

HOW TO CHECK TORSIONAL STIFFNESS

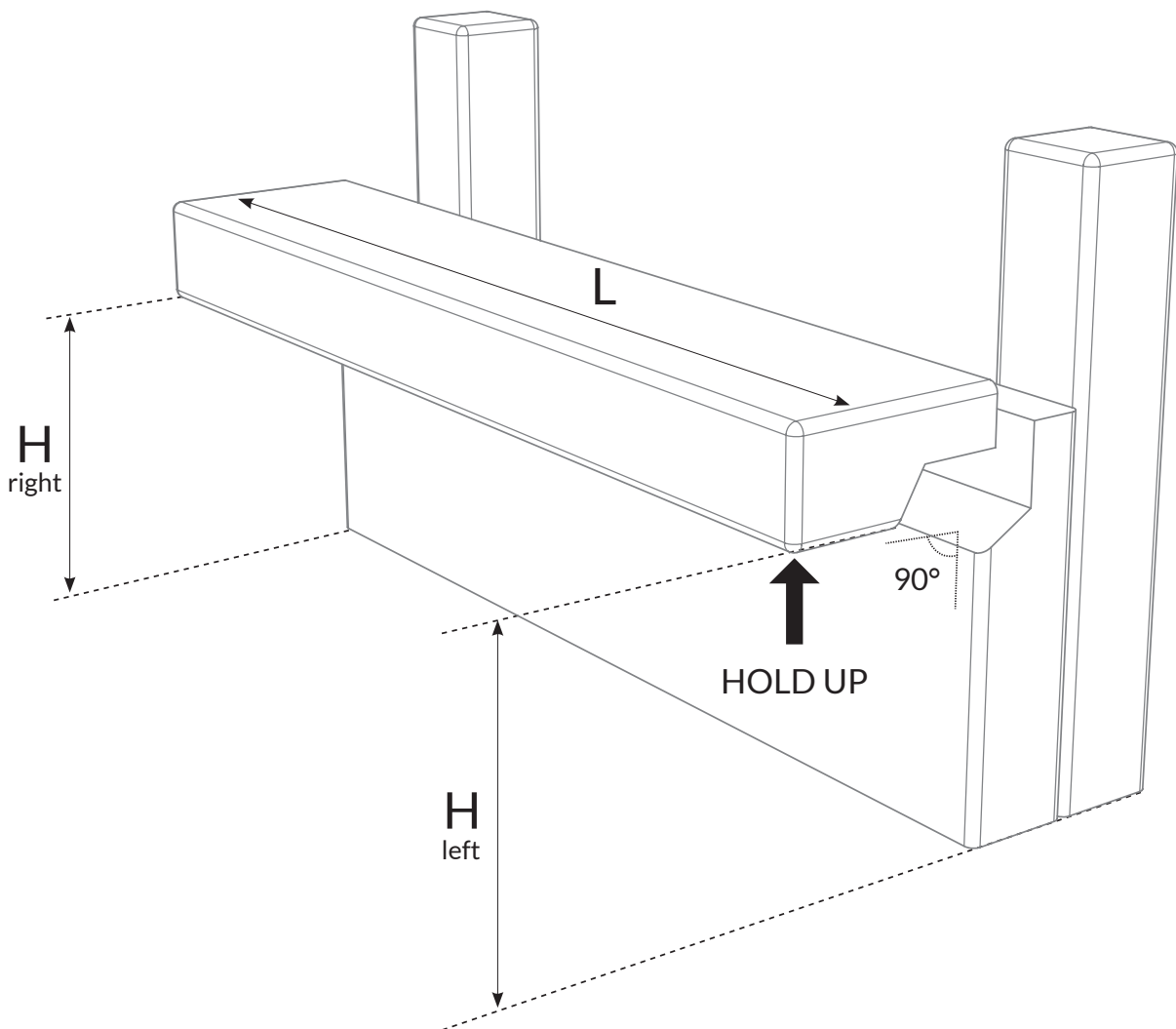
Hold up the Top Section by one end only according to schematic below. While this is being held parallel to ground, measure the distances H left and H right.

These may only differ by 10 mm per 1000 mm in length L

Example:




L=3000 mm

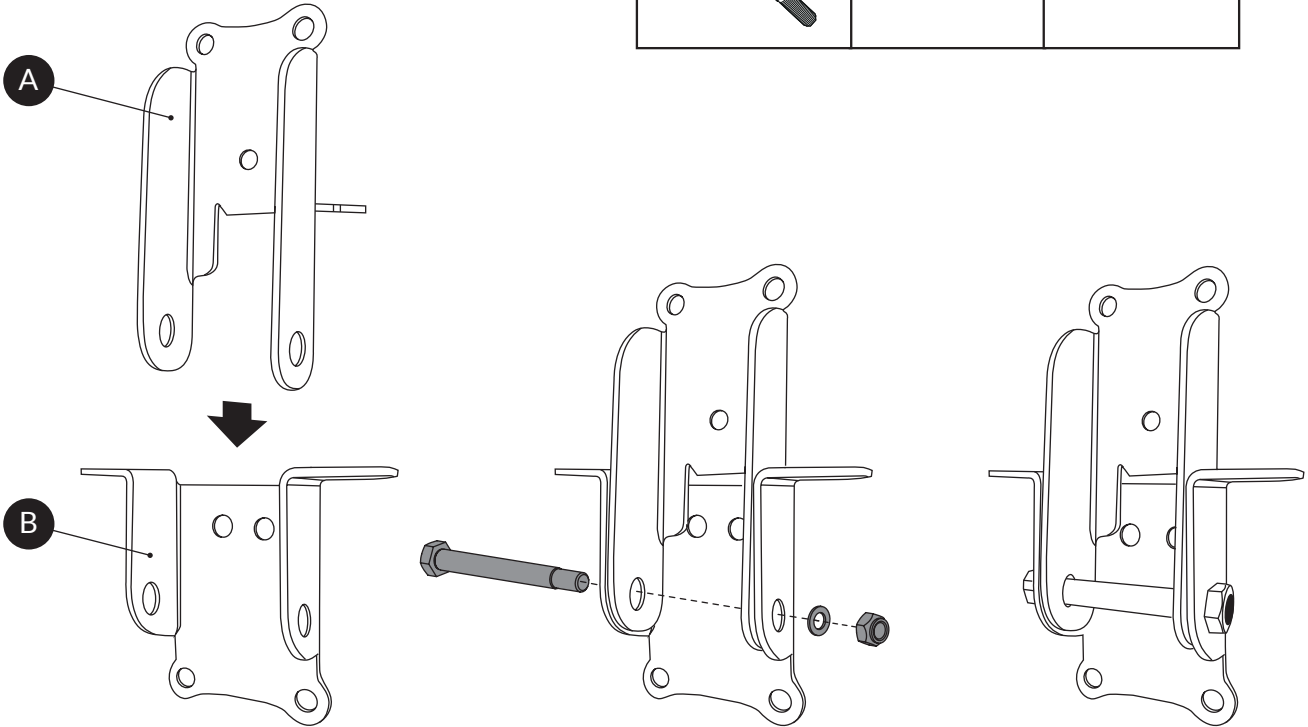
Allowed difference between right and left in H=30 mm



STEP
1

2X

M-SM12x120 2X	M-BR12x22x2s 2X	M-MM12Ny 2X
		



STEP
2

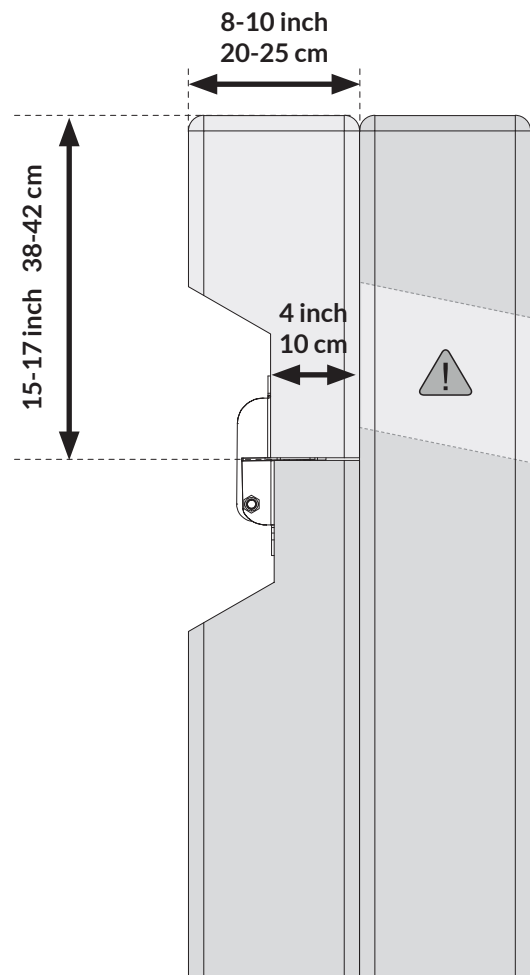
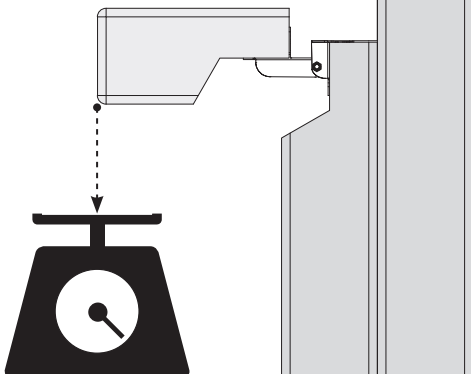
!

IMPORTANT

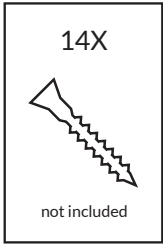
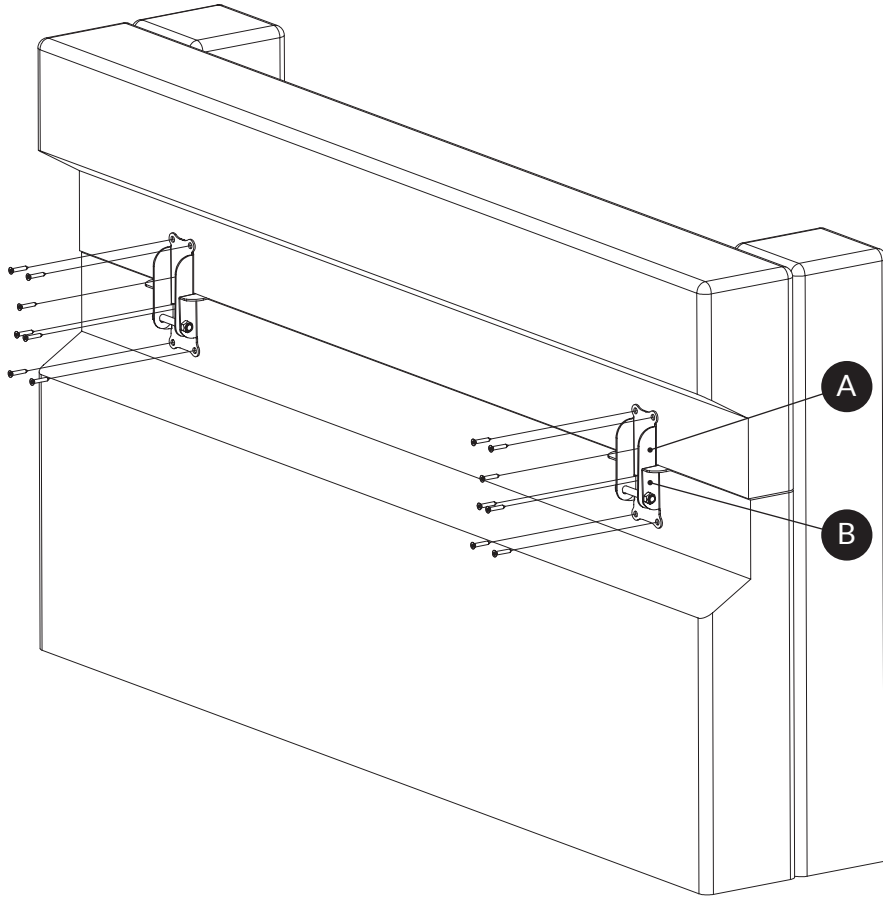
Don't cut until the clip is correctly mounted.

Make sure you follow the cutting measurements for correct fence release/function

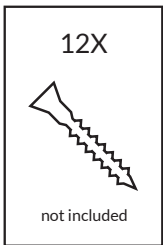
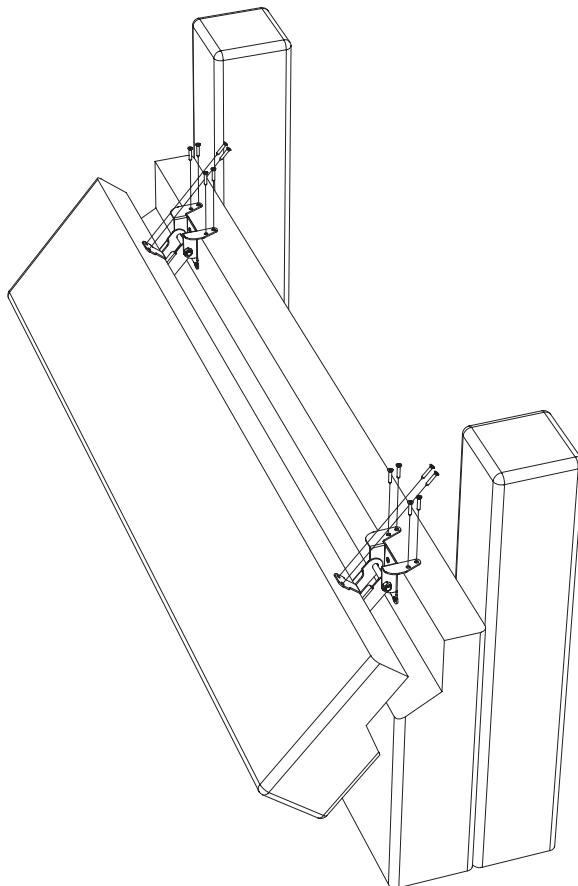
Check the weight at this point with the top section at 90° degrees angle



STEP
3

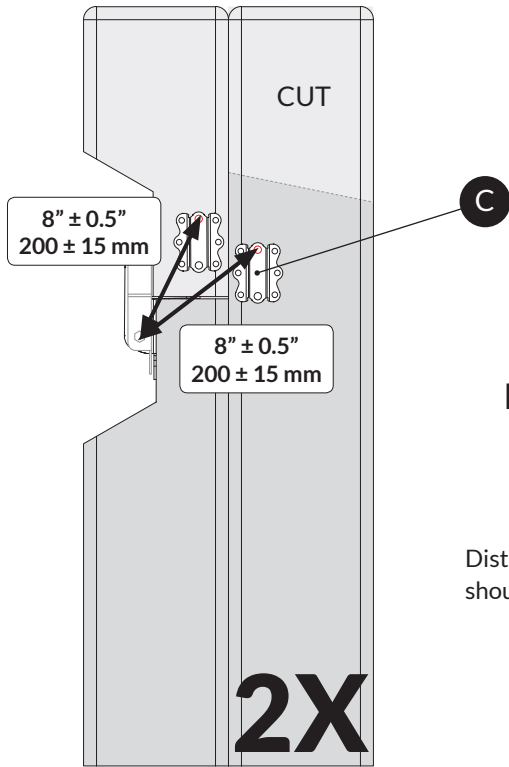


STEP
4

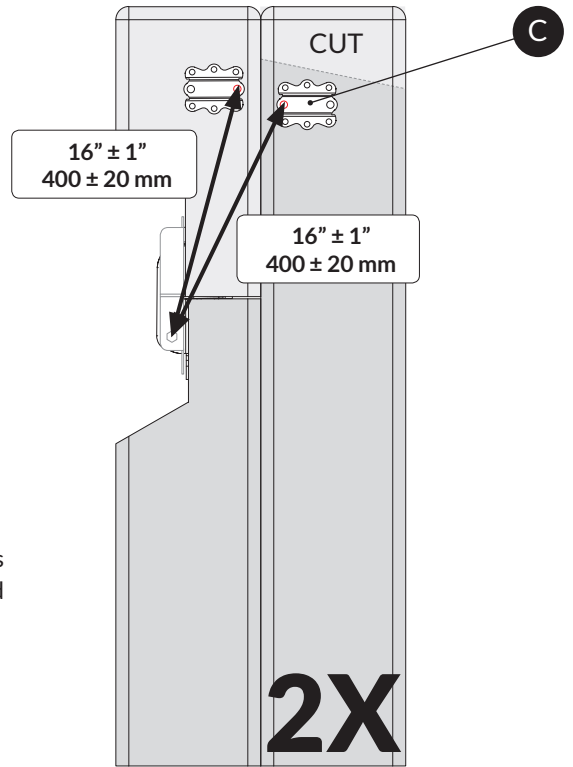


STEP
5

POSITIONING OF CLIP FOR
ANGLED JUMP



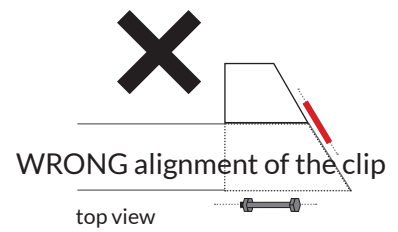
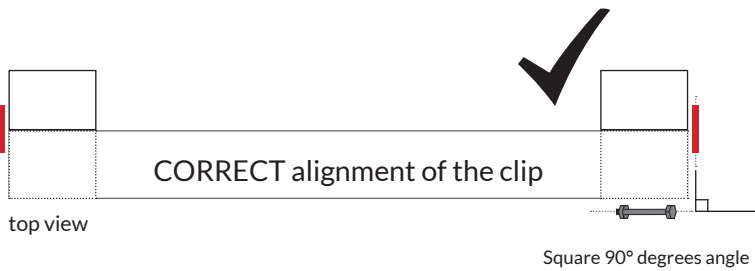
POSITIONING OF CLIP FOR
STRAIGHT JUMP



IMPORTANT



Distance between brackets
should be adjusted to avoid
clip D rattling.



THE CLIP MUST BE INSTALLED PERPENDICULAR (90°) TO THE HINGE

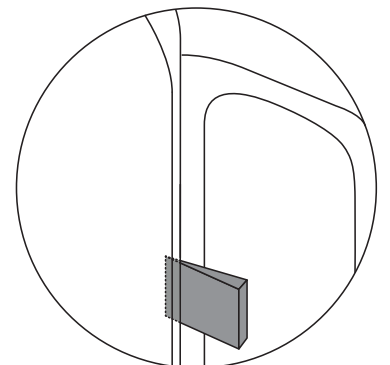
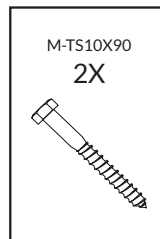
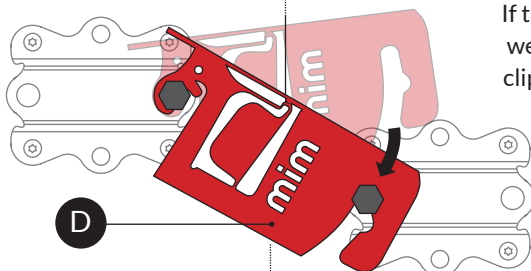
STEP
6

2X

IMPORTANT



If the clip D is loose, tighten by gently driving a
wedge between post and rail, underneath the
clip. Necessary for correct function of the clip.





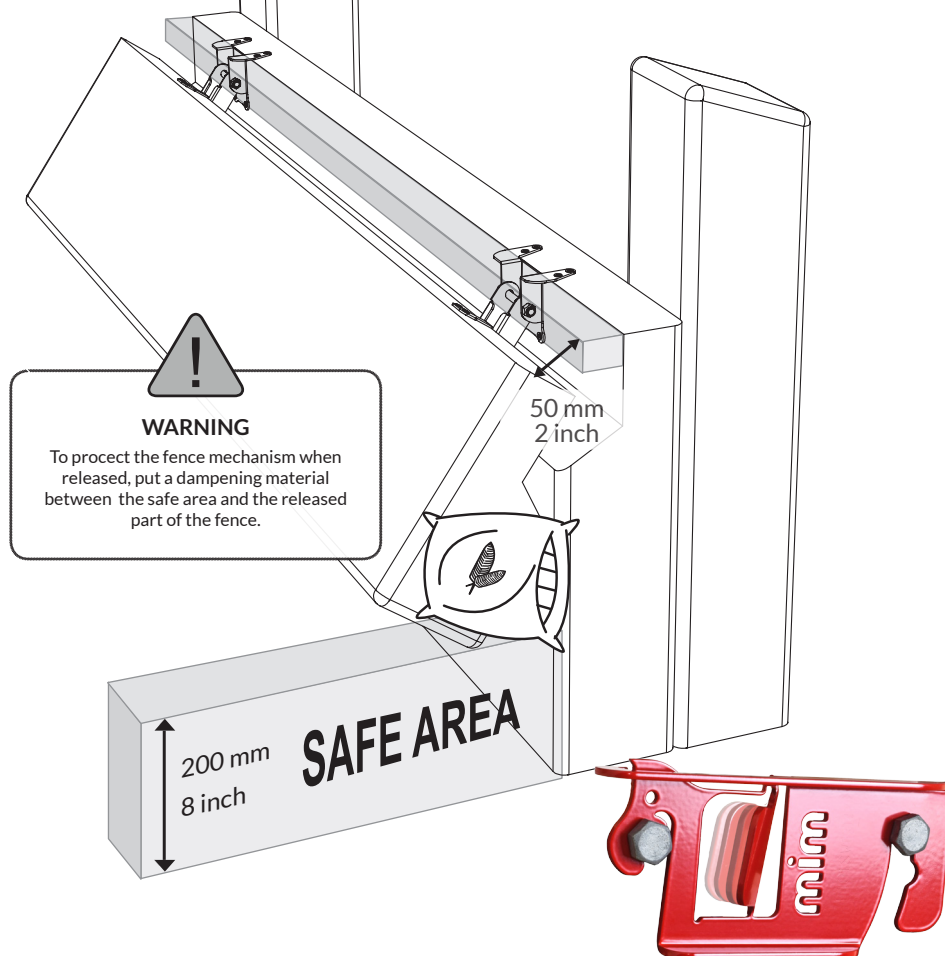
IMPORTANT

When top section is released the gap between top section and bottom section should be **maximum 50 mm**.

If gap is wider, then place object to shrink/reduce the gap.

When top section is released the distance between top section and ground should be **minimum 200 mm**.

If distance between ground and top section is less, then place an object which will prevent the top section falling into the **SAFE AREA**



WARNING

To protect the fence mechanism when released, put a dampening material between the safe area and the released part of the fence.

The flag is bent when fatigued.

The advantages of the Wall Kit

1. It has been produced with safety being the first and foremost important factor.
2. Reduces the possibility of rotational falls.
3. FEI approved number FEI13SWE.
4. Controlled movement of fence during release.
5. Reconstruction time is less than 30 seconds.
6. The parts are made of powder coated steel and can be left outside, no maintenance is required.
7. The very highest quality of product from Sweden ISO 9001.

The advantages of the MIMclip

The MIMclip breaks on impact. The flag is bent when the clip is exposed to fatigue. In both cases the clip must be replaced. The top section is connected to the post with a hinge that makes the fence easy to reconstruct. This saves time, guarantees fair and correct judging for riders and contributes to the overall safety of the sport.