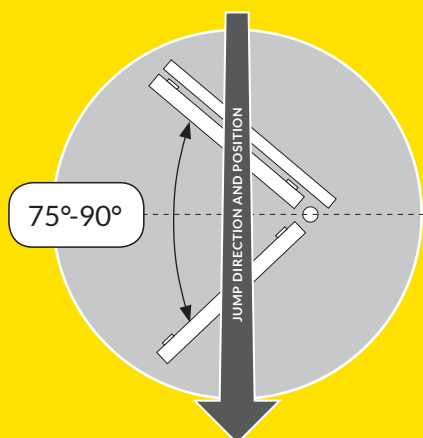
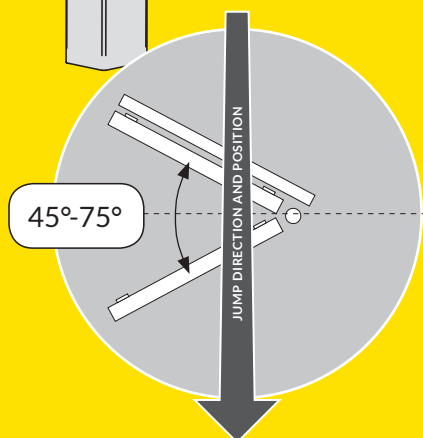
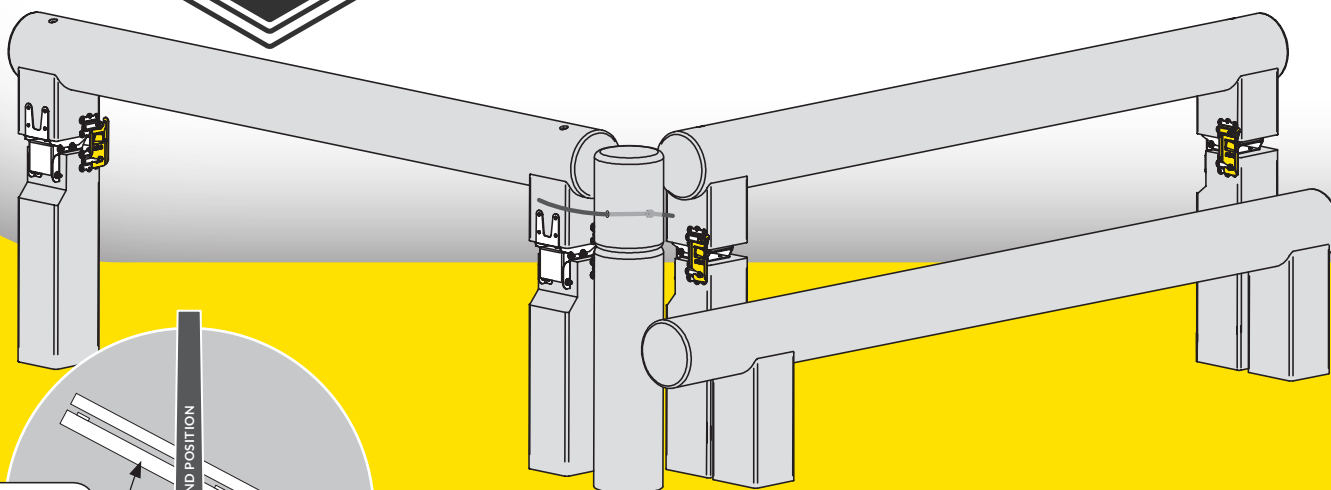


Corner Kit - 80326

mimSAFE

mimclip.mimsafe.com



ASSEMBLY AND OPERATION INSTRUCTIONS

CORNER KIT

MIMCLIP SYSTEM



APPROVED

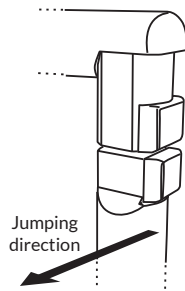
INFORMATION ABOUT THE CORNER KIT

The Corner Kit has been designed and developed specifically to greatly reduce the risk of rotational falls. The most important element of this kit is that it will not break the fence or risk injury

to the horse if hit vertically. The rail is only released when impacted horizontally by the horse. The risk of a resulting rotational fall is thus reduced.

FENCE DIMENSIONS

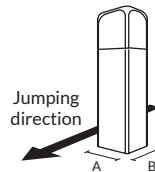
ROUND POST



DIAMETER

9 - 11	inch
225 - 275	mm

SQUARE POST



A: MIN-MAX SIZE

6 - 8	inch
150 - 200	mm

B: MIN-MAX SIZE

8-9	inch
200-225	mm

RAIL



MIN-MAX WEIGHT

175 - 240	lb
80 - 110	kg

MIN-MAX DIAMETER

8 - 12	inch
200 - 300	mm

MAXIMUM LENGTH

12	ft
3600	mm



It is essential to follow the recommended dimensions on the fence for the correct function. If the recommended procedure is not correctly followed it may cause the failure of the device.

For your own safety and that of others please note the following step by step advice for correct preparation and installation. It is important that you follow your own health and safety requirements when constructing this kit.

Ensure that you have all parts of the Corner Kit.

Be aware of the risk of injury when handling heavy rails, posts and the tools for mounting.

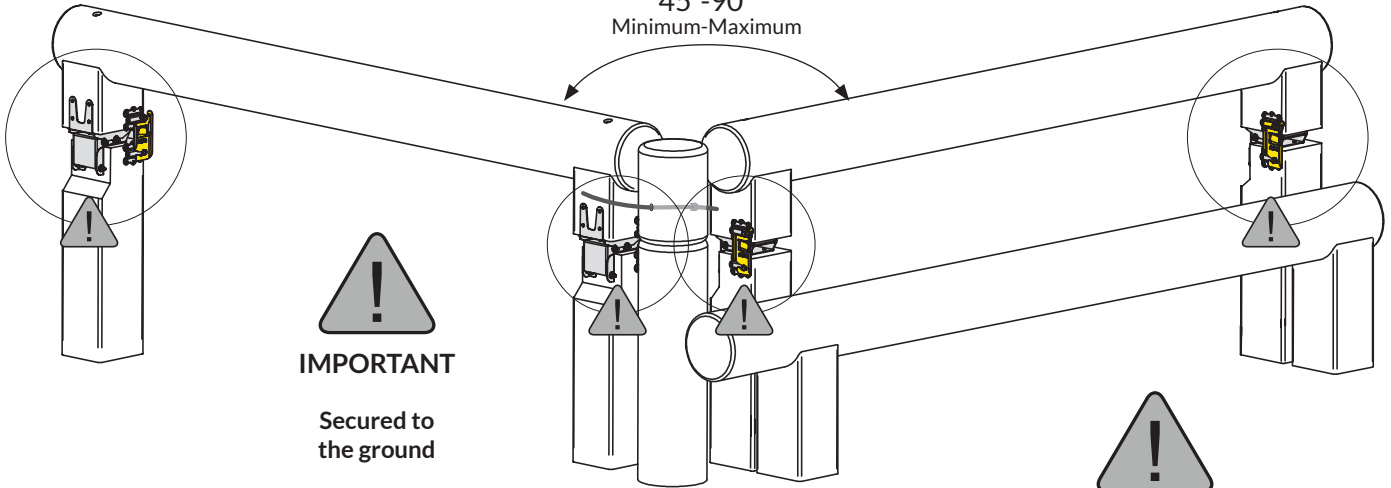
WARNING!



Jumping direction



45°-90°
Minimum-Maximum

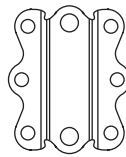
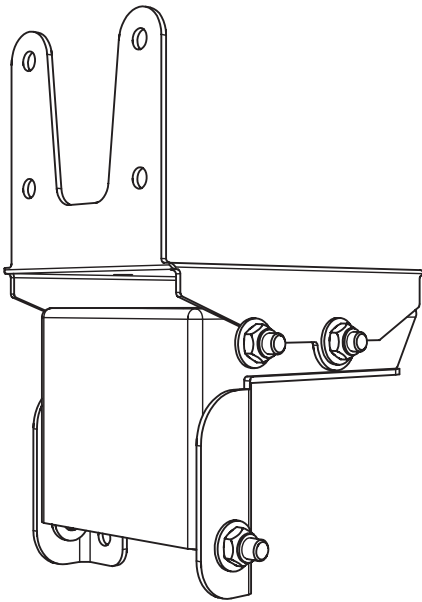


IMPORTANT

Secured to the ground

IMPORTANT

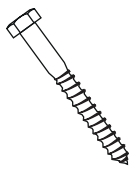



The clips F18F must be placed on ALL posts.



A 00454
Part no 4x

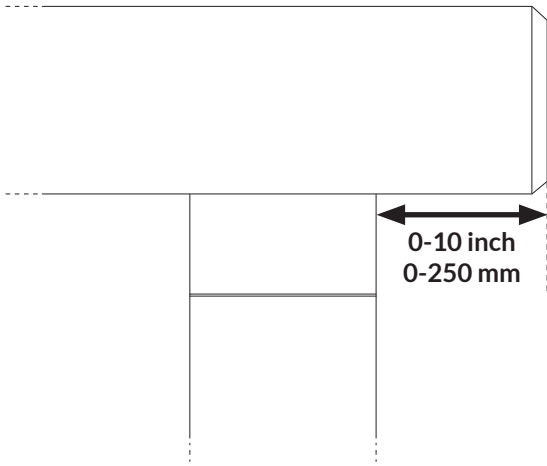
B F70A
Part no 8x

C F18F
Part no 12x

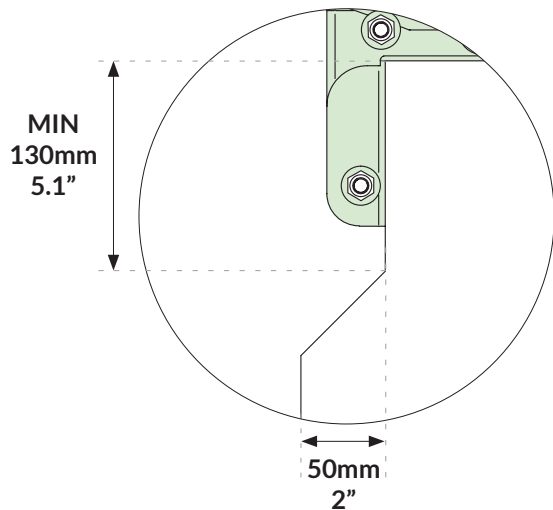
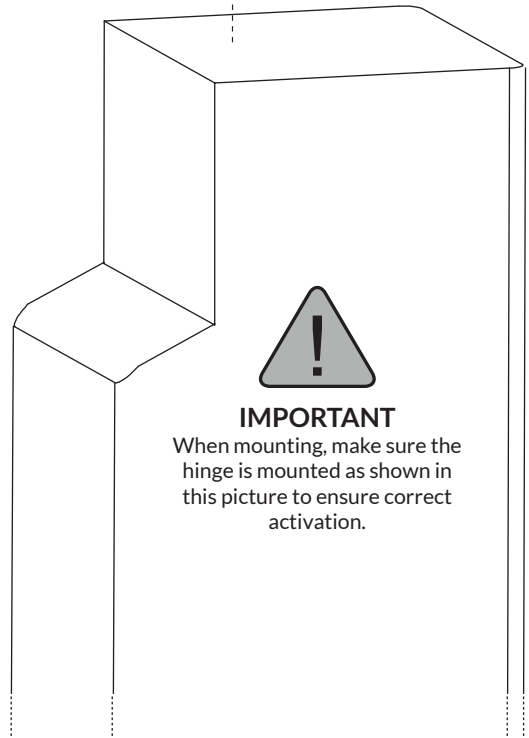
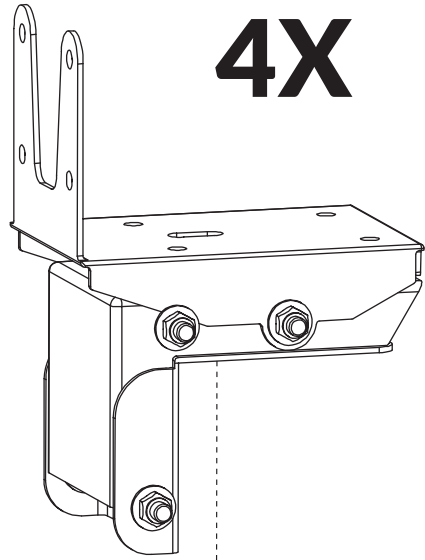
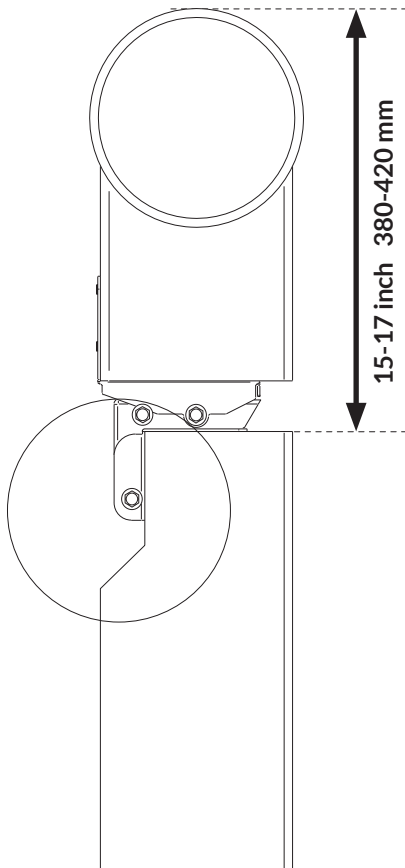
M-TS10X90 8X 	POST TOP SECTION 4X  not included	POST BOTTOM SECTION 4X  not included	RAIL 2X  not included
--	---	--	--

STEP
1a

Square posts

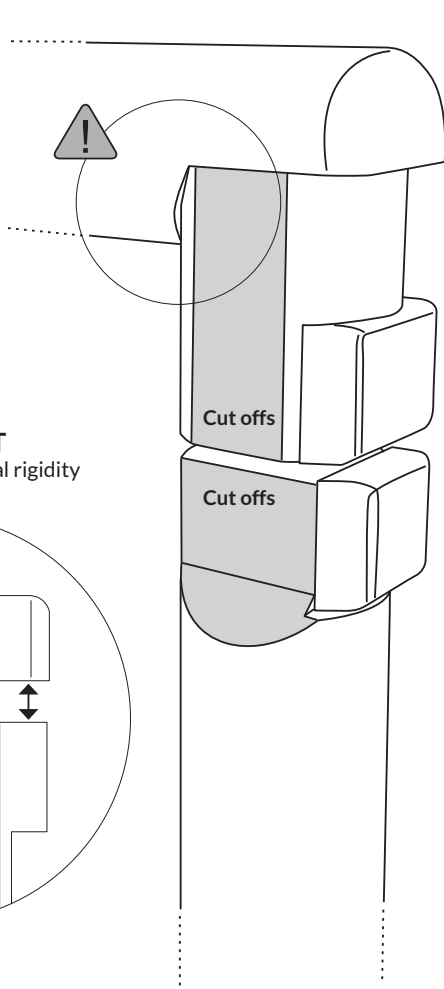


IMPORTANT
Make sure you follow these measurements for correct fence release/function

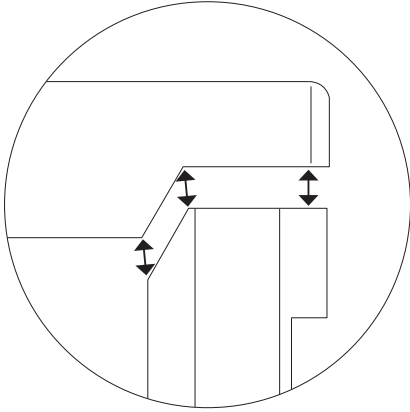


STEP
1b

Round posts



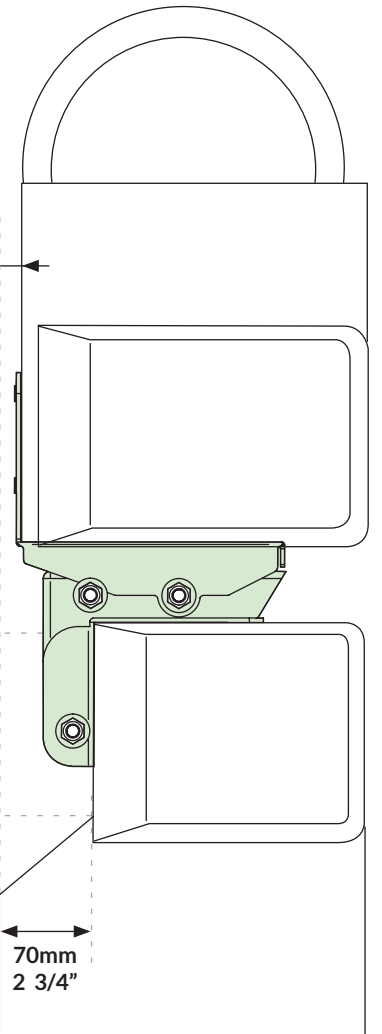
IMPORTANT
Aligned cuts for torsional rigidity



20mm
3/4"

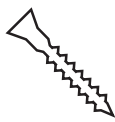
MIN
130mm
5.1"

70mm
2 3/4"

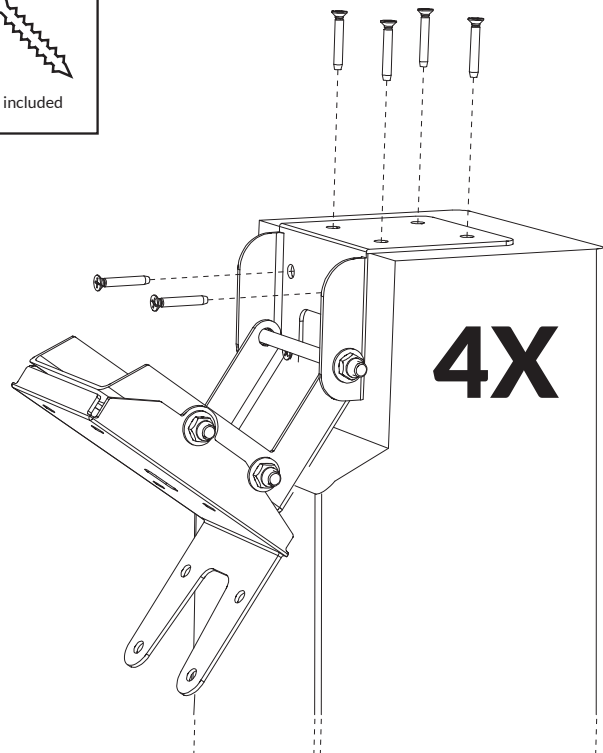
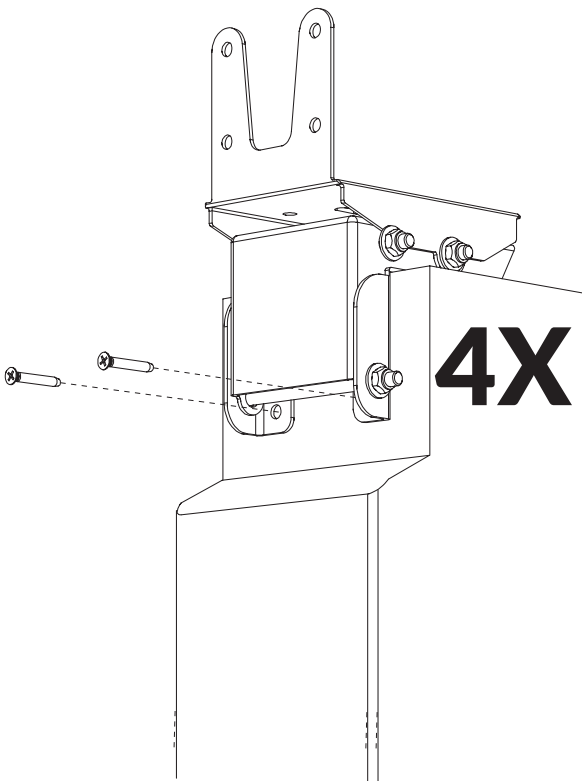


STEP
2

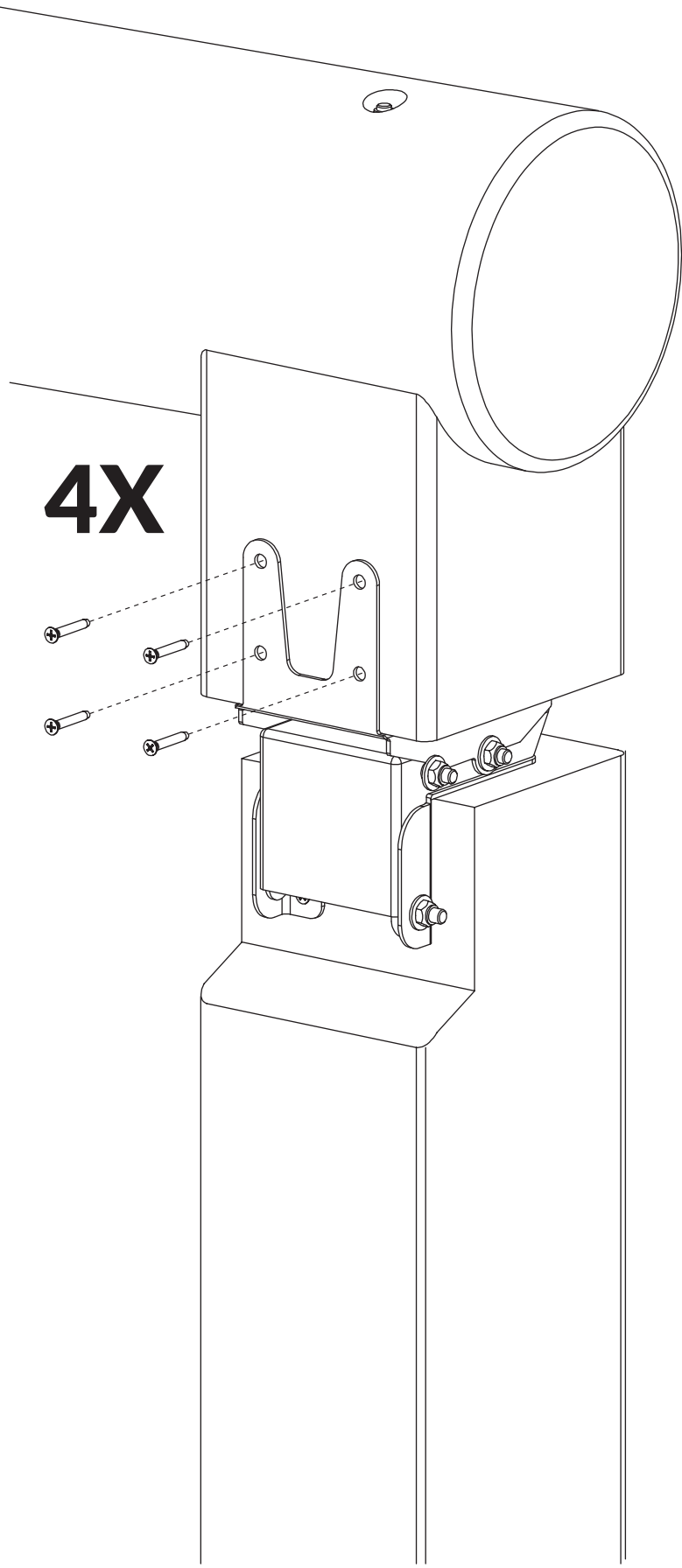
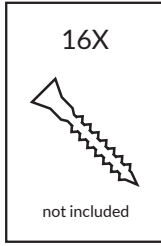
32X



not included



STEP
3

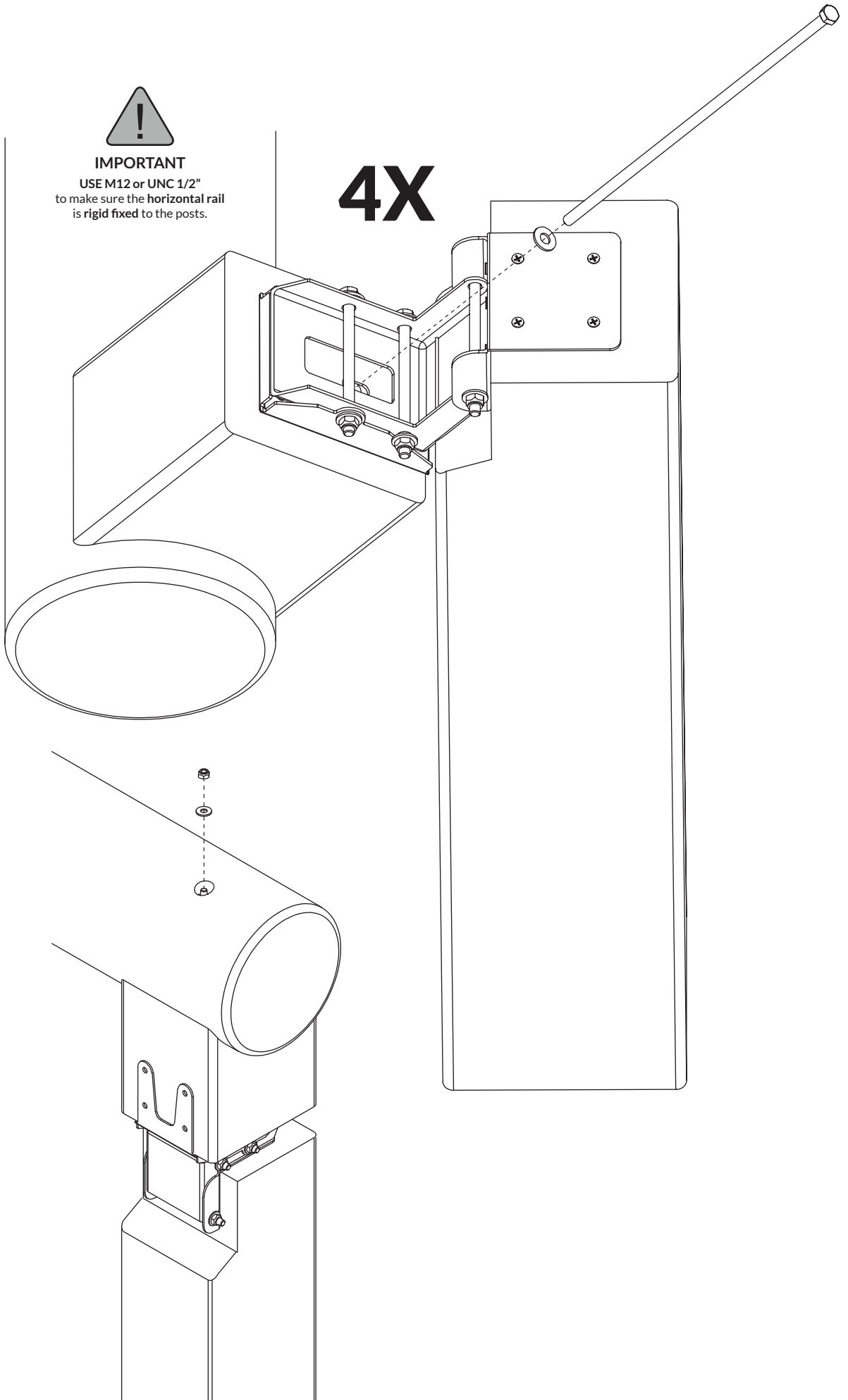


STEP
4



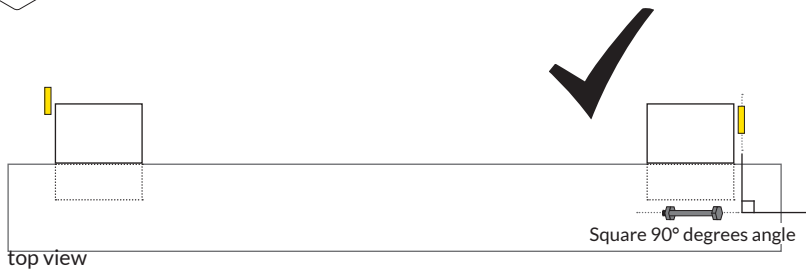
IMPORTANT
USE M12 or UNC 1/2"
to make sure the horizontal rail
is rigid fixed to the posts.

4X

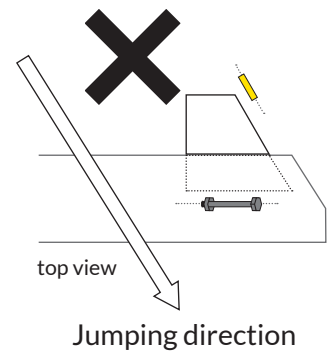


STEP
5

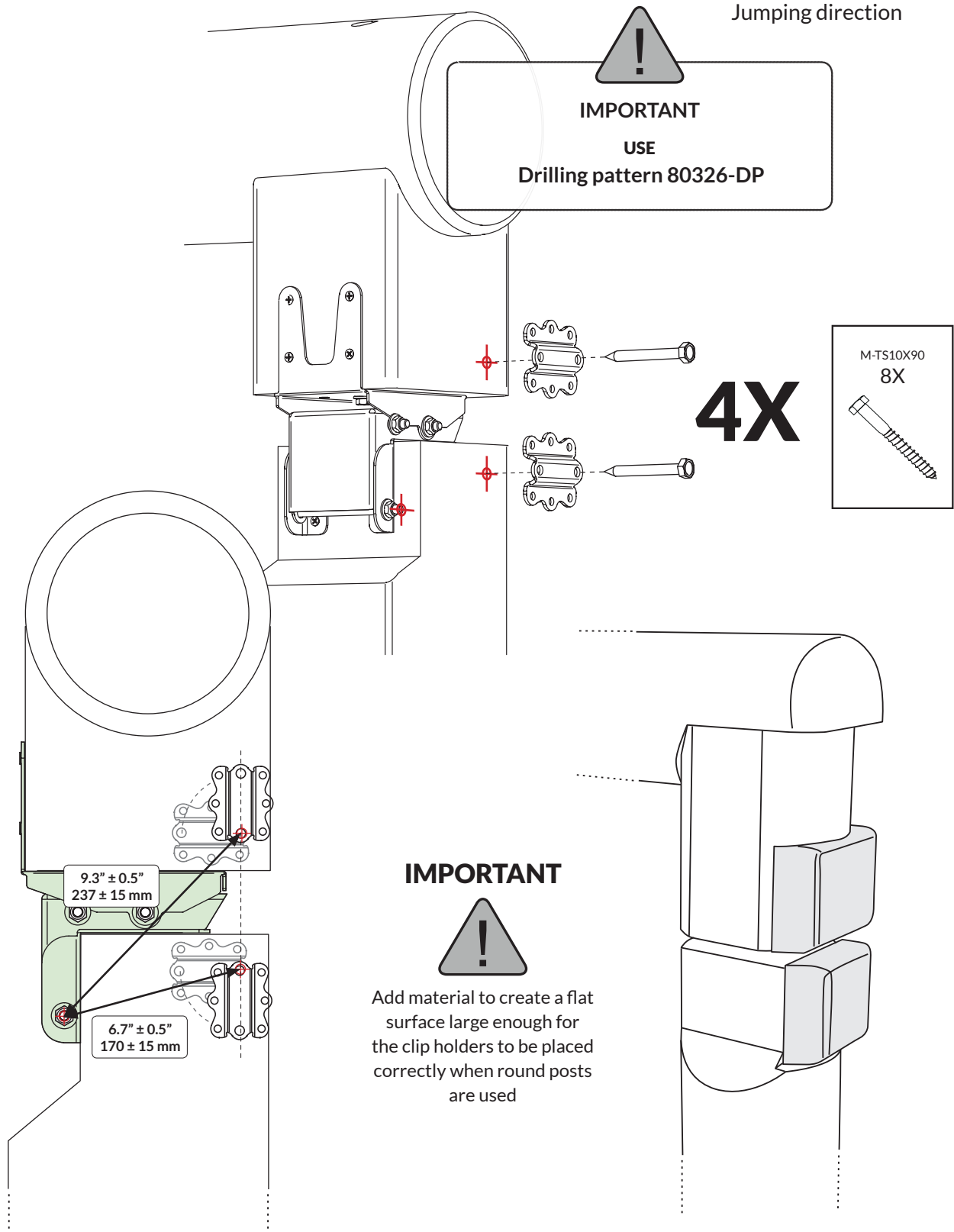
CORRECT alignment of the clip




WRONG alignment of the clip



IMPORTANT
USE
Drilling pattern 80326-DP



IMPORTANT



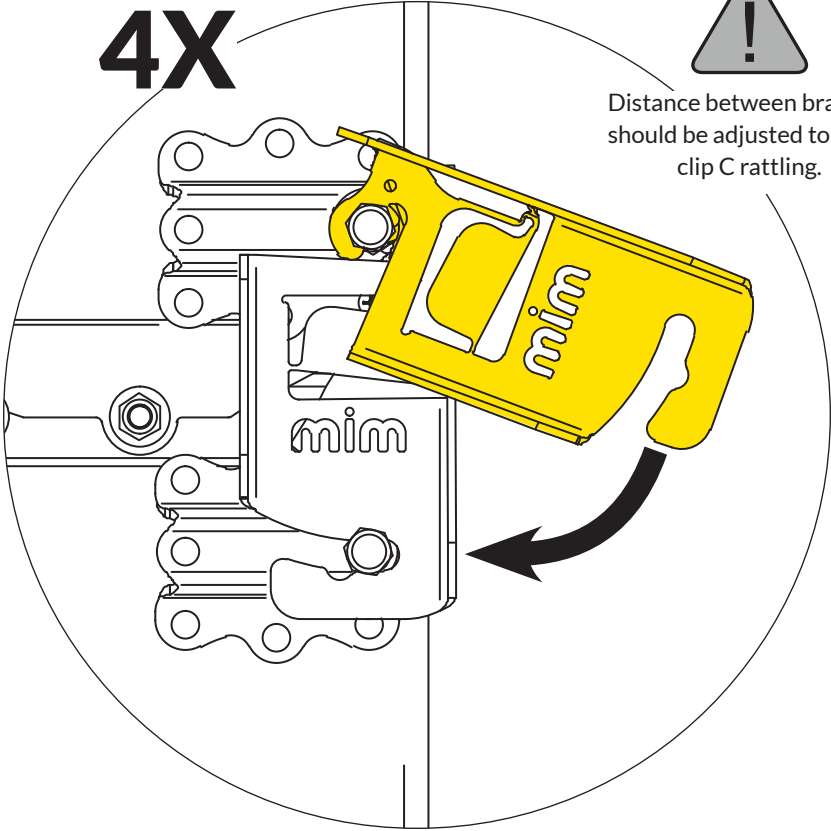
Add material to create a flat surface large enough for the clip holders to be placed correctly when round posts are used

STEP
6

IMPORTANT

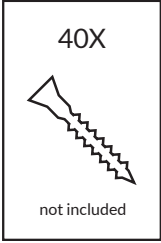
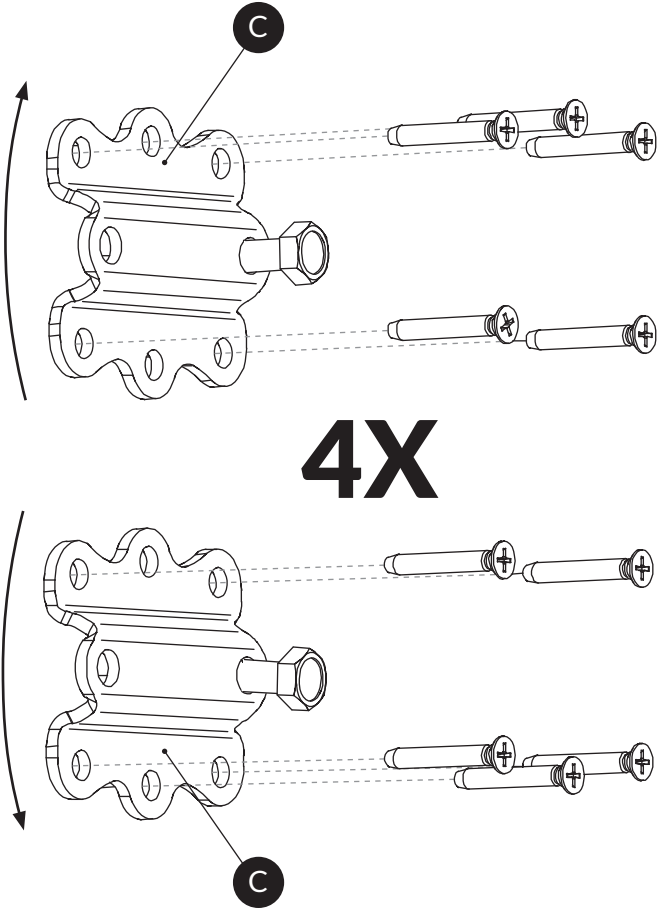


Distance between brackets
should be adjusted to avoid
clip C rattling.



STEP
7

Rotate the pieces C
around the bolt's position
if necessary



45°-75°

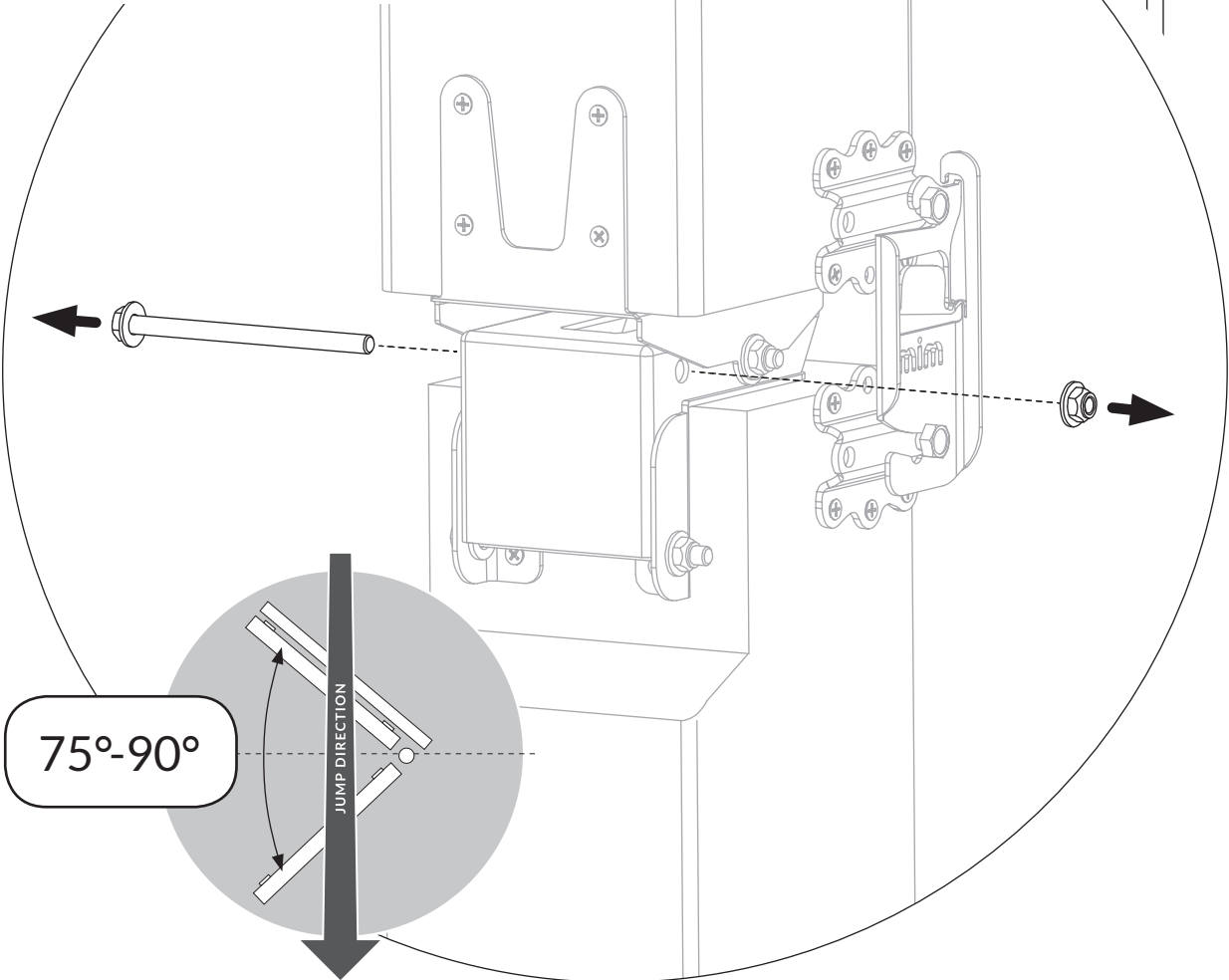
JUMP DIRECTION

4X

IMPORTANT

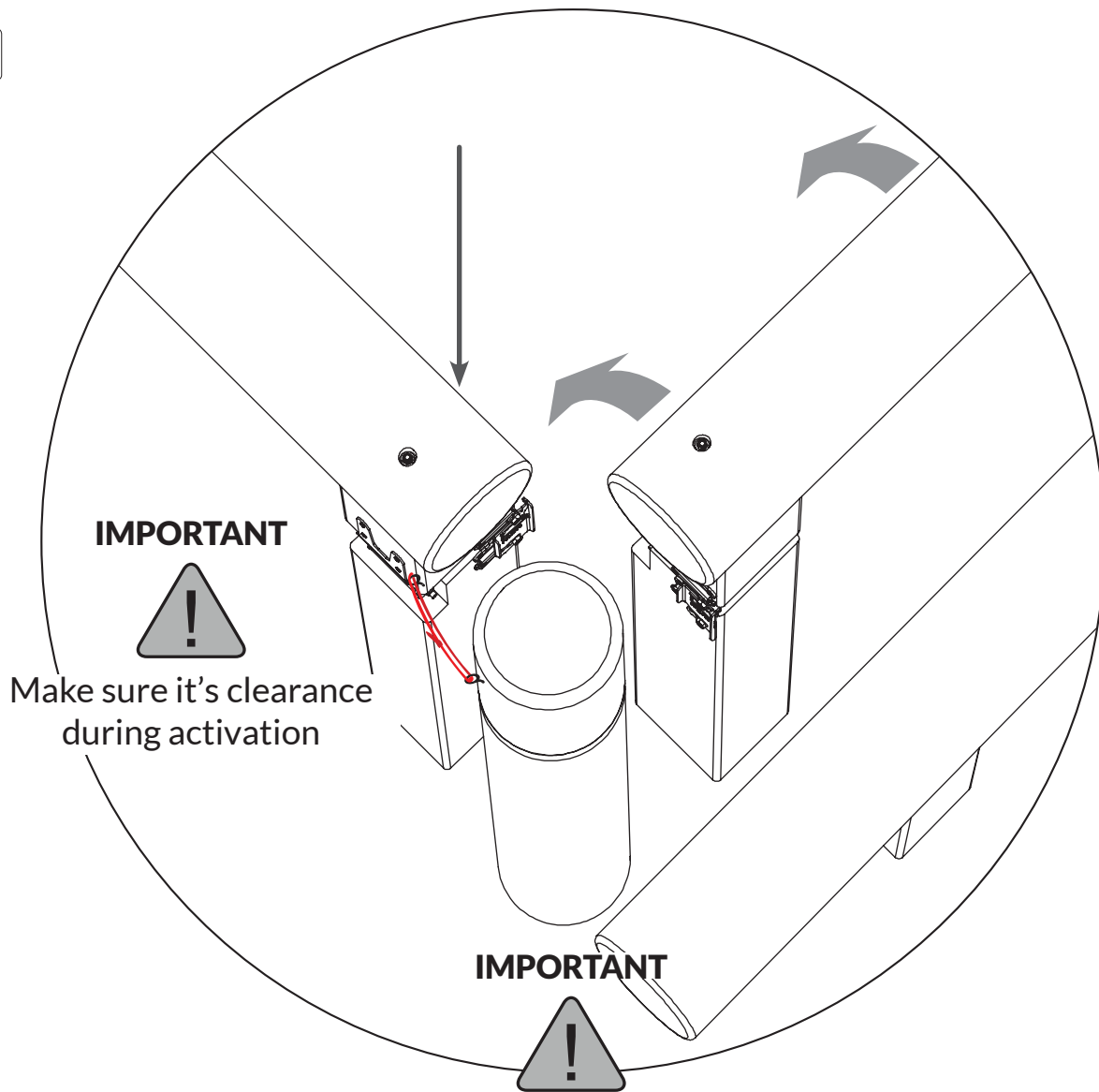


Remove this bolt when the corner kit is wider than 75°. This will facilitate the fence releasing.

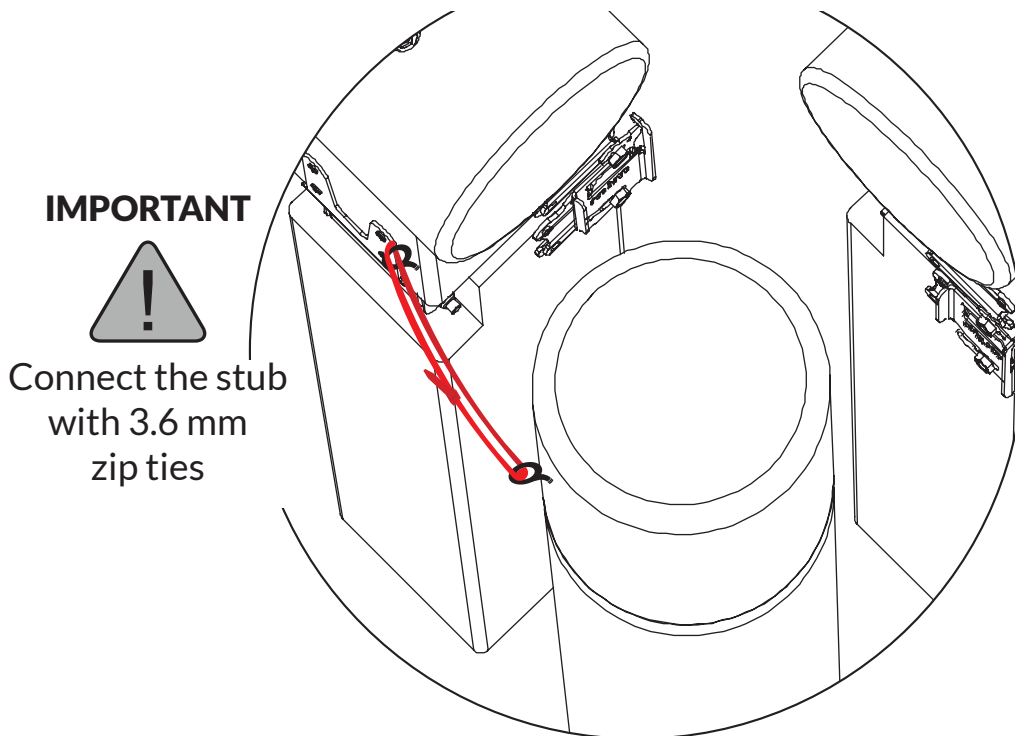


75°-90°

JUMP DIRECTION



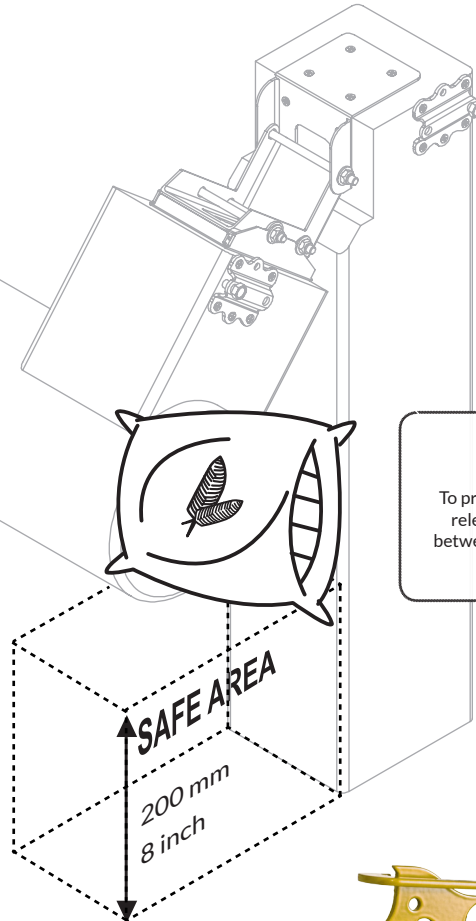
Fill out the gap with a fixed lower post and a loose stub above to avoid "foot trap".





IMPORTANT

When top section is released the distance between top section and ground should be **minimum 200 mm**.
If distance between ground and top section is less, then place an object which will prevent the top section falling into the **SAFE AREA**



WARNING

To protect the fence mechanism when released, put a dampening material between the safe area and the released part of the fence.



The flag is bent when fatigued.

The advantages of the Corner Kit

1. It has been produced with safety being the first and foremost important factor.
2. Reduces the possibility of rotational falls.
3. FEI approved number FEI15SWE.
4. Controlled movement of fence during release.
5. Reconstruction time is less than 30 seconds.
6. The parts are made of powder coated steel and can be left outside, no maintenance is required.
7. The very highest quality of product from Sweden ISO 9001.

The advantages of the MIMclip

The MIMclip (F18F) breaks on impact. The flag is bent when the clip is exposed to fatigue. In both cases the clip must be replaced. The top section is connected to the post with a hinge that makes the fence easy to reconstruct. This saves time, guarantees fair and correct judging for riders and contributes to the overall safety of the sport.